



# IGC 4n1 DecoFlex Keypad

Part #1811402

## OVERVIEW

The DecoFlex Dry Contact Keypad offers control of motors connected to the IGC 4n1 Motor Controller (#1811416). Each keypad can access 3 intermediate positions as well as fully open, fully closed, or stop when connected to either Master or Keypad ports on the IGC 4n1 Motor Controller. This keypad connects to IGC 4n1 Motor Controller using standard category cable (CAT-5 or higher) and RJ45 connections.



## TECHNICAL SPECIFICATIONS

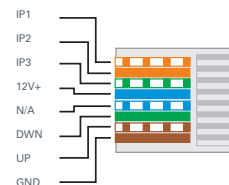
Input	24V DC at .10mA supplied by IGC 4n1 Motor Controller
Material	Face plates and buttons: Lexan 945u
Dimensions	1 7/16" x 1 1/2" x 4 1/16" (without wall plate)
Maximum Range	150'
Operating Temperature Range	Ambient range
Shipping Weight	<1 lb.

## WHAT'S IN THE BOX

- Keypad
- Face plate with screws

## CABLE PINOUTS

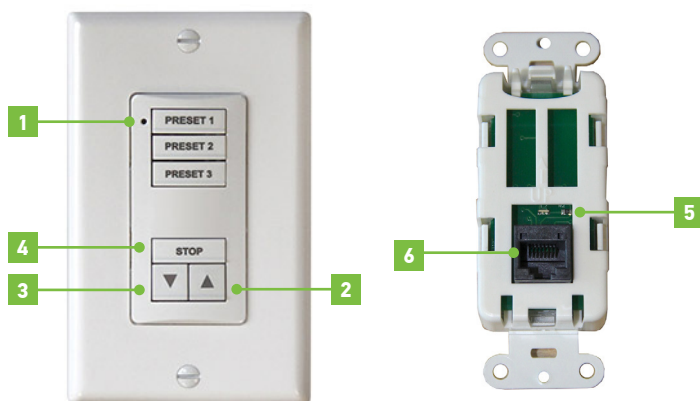
STANDARD T568B WIRING



## FEATURES SUMMARY

- 3 intermediate positions (defaults to 25%, 50%, 75%) which can be customized via motor controller
- Connects to motor controller using standard category cable (CAT-5 or higher)
- Convenient, stationary wall control
- Fits standard Decora style opening
- LED indicators show button presses and power
- Custom engraved buttons available

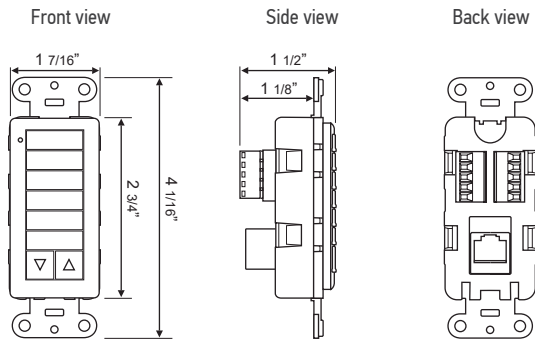
## CONNECTIONS AND INDICATORS



ELEMENT	FUNCTION
1	Status LED Shows button presses
2	Up Button Up directional button
3	Down Button Down directional button
4	Stop Button Stops movement
5	Power LED Indicates power and traffic
6	RJ45 Jack CAT-5 connection

# IGC 4n1 DecoFlex Keypad

## DIMENSIONS



## BEST WIRING PRACTICES

Before installing keypads all motors must be wired to the controller, have limits set and be working properly. The DecoFlex Dry Contact Keypad has a single RJ45 connection which is utilized for both communication and power. A standard category cable (CAT-5 or higher) terminated to T568B standard must be used. The diagram shown below is meant for illustrative purposes to show the connections from product to product. This device can be used in other configurations than shown below.

