

RB 500+ Coupled Roller Shades



RB 500+ Coupled Roller Shades combine aesthetics, engineering, and performance to control glare, maximize energy, and cost savings. From manual to automated, our coupled shade program covers all of your project needs.

Key Features

- Intermediate bracket and aligner sets connect the shade bands, allowing multiple panels to be driven by a single control
- Proprietary operating system designed and engineered in-house
- Available as chain-operated, crank-operated (fixed and removable), or automated systems
- ADA compliant and meets all Child Safety standards
- Commercially fire retardant fabrics available in high-performance, sustainable, blackout, and acoustical options
- Limited lifetime warranty

BENEFITS OF COUPLING ROLLER SHADES

Cost Savings

- The #1 advantage to coupling automated shades is cost savings
- Couple up to *6 shades, or 30 linear feet of overall width (with the Fine Adjuster), on one motor, requiring fewer motors and controls and reducing the cost of each system substantially
- Coupled systems require less wiring, reducing the cost of an electrician
- Specifying a coupled system may also reduce infrastructure, and installation costs, particularly on larger projects where mounting surfaces/substrates might be challenging (consider the potential hardware/time savings when installing into concrete, or steel)



*Will vary by fabric. May be exceeded with engineering approval. Contact your Regional Sales Manager if project requirements fall outside of the recommended number of shades, or overall widths.



Design & Performance

- Our proprietary fine-tooth adjustable coupler allows for precise control and alignment of the hembars, providing a clean line along the window wall
- For manual systems, coupling eliminates the need for multiple chains, reducing materials and visual distractions along the glazing
- Coupling reduces light gaps by eliminating the second bracket at each point of banding
- Shades can be recessed into a ceiling pocket, concealed with fascia, or left exposed

CHALLENGES OF COUPLING SHADES

One of the primary challenges of coupling shades is extending a continuous system across an uneven or out-of-square condition. **Hunter Douglas Architectural offers multiple solutions to address this**, cut down on installation time, keep panels aligned, and significantly reduce cost in the case of automated systems.

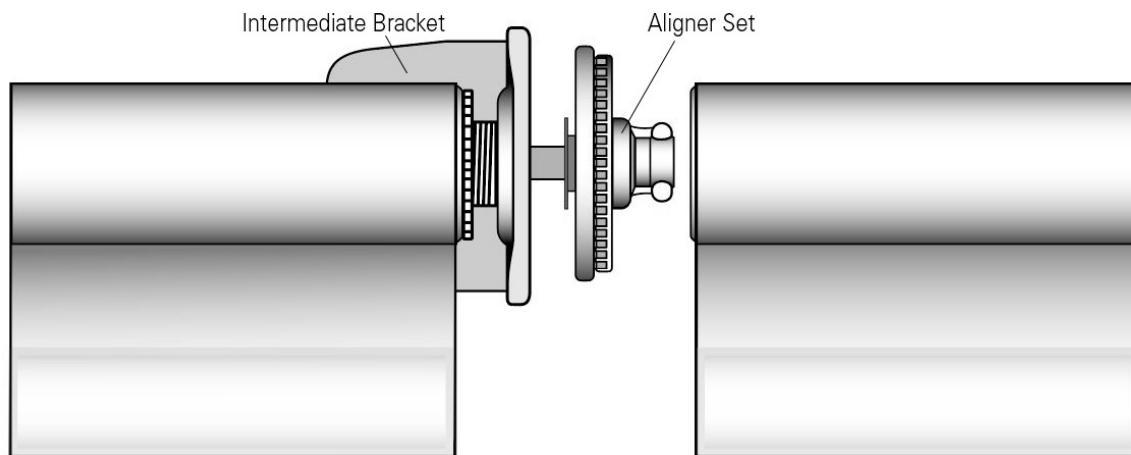
HUNTER DOUGLAS ARCHITECTURAL COUPLED SHADE PROGRAM

Fine Adjuster (or Aligner)

- The Fine Adjuster is a proprietary component that allows the installer to quickly and easily align two or more panels of fabric coupled together, ensuring bottom sill fabric alignment
- Allows for up to 15 degrees of angle, suitable either for mounting in conditions off-square without requiring the shimming of brackets, or ideal for slightly segmented/angled windows
- Couple up to *6 shades, or 30 linear feet of overall width
- Allows for quick and easy alignment of adjacent fabric panels, historically a time-consuming and challenging endeavor
- Contributes to the overall aesthetics and longevity of the shades as the clean alignment of the shade panels reduces fraying that can occur when shades overlap

Note: HDA recommends the Fine Adjuster for all coupled shade quotes or orders, manual or automated, except in conditions where you need an angle between 15 and 90-degrees.

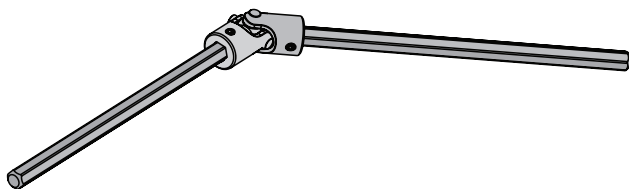
If mounting conditions require the Fine Adjuster to span a mullion or similar, an Aligner Set Extension is also available.



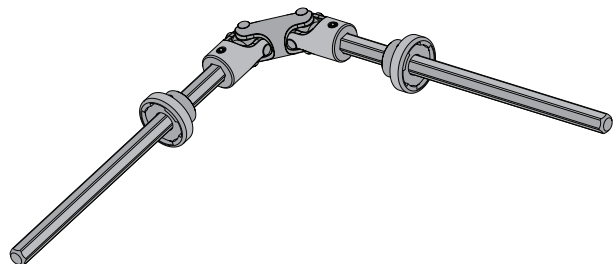
45 and 90-degree Joint Couplers

- Flexible 45-degree Joint Coupler allows for coupling at angles between 15 and 45 degrees
- Flexible 90-degree Joint Coupler allows for coupling at angles between 45 and 90 degrees (*available with the Standard Duty System only*)
- Both options allow for the coupling of up to *6 shades, or 240"
- Note: The flexible coupler does not have the alignment capabilities of the Fine Adjuster

45-degree Joint Coupler



90-degree Joint Coupler (*available with the Standard Duty System only*)



*Will vary by fabric. May be exceeded with engineering approval. Contact your Regional Sales Manager if project requirements fall outside of the recommended number of shades, or overall widths.