

# Duette® FR Honeycomb Shades



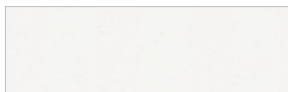
The durable, energy-efficient design of Duette® FR Honeycomb Shades makes them an ideal choice for healthcare and assisted living centers, government/military buildings, and a wide range of public spaces.



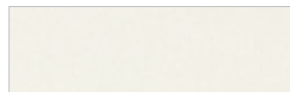
## KEY FEATURES

- GREENGUARD GOLD certified for low-emitting products
- Fabrics meet all requirements of NFPA 701 small scale flammability testing for commercial applications
- Energy-efficient honeycomb design
- Durable Headrail Finish - Designed to blend seamlessly, the Duette textured matte finish headrail features a soft, refined aesthetic that coordinates with the look and color of the shade fabric
- Lifetime Guarantee

## Fabrics: 3/4" Opaque (D23)



951 Daisy White



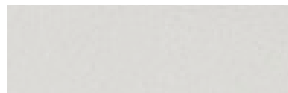
457 Journal



907 Beach Shells



750 Graphite

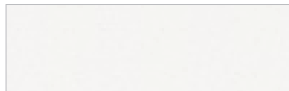


713 Pearl Gray



749 Black Onyx

## Fabrics: 3/4" Semi-Opaque (D22)



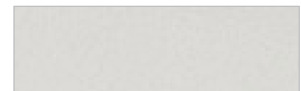
951 Daisy White



457 Journal



907 Beach Shells



713 Pearl Gray



750 Graphite



749 Black Onyx

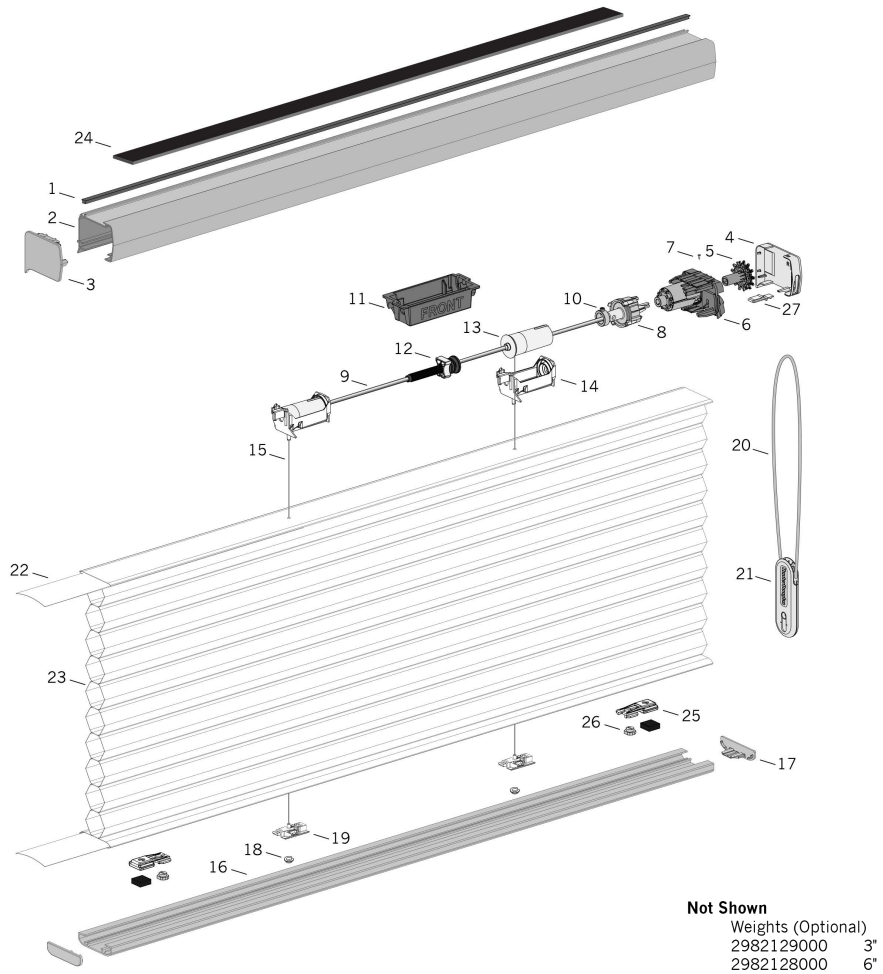
**HunterDouglas**   
Architectural

© Copyright Hunter Douglas Architectural 2022

® Hunter Douglas and its product names are registered trademarks

® The GREENGUARD GOLD INDOOR AIR QUALITY CERTIFIED mark is a registered certification mark used under license through the GREENGUARD Environmental Institute.

No.	PCN	Description
1.	2780229002	Headrail Light Block Strip
2.		Headrail
3.		Headrail End Cap
4.		Clutch Cover
5.	2801669000	Cord Sprocket
6.		Clutch Assembly
7.	2802573000	3/8" & 3/4", RH
8.	2802574000	3/8" & 3/4", LH
9.	1002512	1 1/4", RH
10.	1002513	1 1/4", LH
11.	2910001000	Screw
12.	2780115000	Gearbox
13.	2770004000	V.Shaft (steel)
14.	2780128000	Lock Collar w/Set Screw
15.	2780135000	Drop Stop Housing
16.	2780120000	Drop Stop Assembly, RH
17.		Spool
18.	2780034000	Standard
19.	2780103000	Long Drop
20.		Spool Support
21.	2780033000	Standard
22.	2780105000	Long Drop
23.	1003020	0.9 mm Cord, White
24.		Bottom Rail
25.		Bottom Rail End Cap
26.		Bottom Rail End Caps
27.	2780923000	EasyAdjust™ Pocket Cover (4000/ carton)
28.		EasyAdjust Assembly
29.	2801404000	3/8", 3/4"
30.	2781318000	1 1/4"
31.		Cord Loop
32.		See EasyRise Cord Loops
33.		Universal Cord Tensioner (UCT)
34.		See Universal Cord Tensioners
35.		Filler Strip
36.	2954000000	3/8"
37.	1000132	3/4"
38.	2971311000	1 1/4"
39.	N/A	Fabric
40.		Shades with AOS
41.	2970035000	3/4" Magnet Strip with Foam (Only for orders with AOS)
42.		Shades with Hold-Down Magnets
43.	KIT2777	Hold-Down Magnet Assembly
44.	2981043000	Spring Holder Pivot Lock
45.		OB Shades Only
46.	2780228000	ER Fabric Stop



**Not Shown**  
 Weights (Optional)  
 2982129000 3"  
 2982128000 6"  
 XXX = 3-digit color code

## PRODUCT SPECIFICATIONS

### PART 2 – PRODUCTS

#### A. 2.01 ACCEPTABLE MANUFACTURER

Hunter Douglas Architectural / 12975 Brookprinter PL Suite 210 / Poway, CA 92064 / Phone: 800-727-8953 / Fax: 800-205-9819 / Website: HDarchitectural.com or architect approved equivalent.

#### B. Product substitutions must be approved by architect minimum of 30 days prior to close of bid.

### 2.02 COMMERCIAL HONEYCOMB SHADES

#### A. PRODUCT: Hunter Douglas "Duette® FR Honeycomb Shades"

#### B. MATERIALS:

- FABRIC:** Permanent flame-resistant textured, non-woven polyester formed into opaque 3/4" hexagonal honeycomb cells in stacked tubular construction. Single cell construction; with each cell an independent piece of fabric and containing a metal-lized polyester film core. Finish selected by architect from manufacturer's available contract colors.
- HEAD/BOTTOM RAIL** Standard 3/4" fabric type measuring 1.875" x .460" x .040" thick, EasyRise™ 2" x 1.875" x .050" thick headrail with bottom rail measuring 1.875" x .460" x .469" thick. Constructed of aluminum alloy 6063. Internally fit with components required for specified performance and designed for smooth, quiet, trouble-free operation. Textured matte finished headrail that coordinates with the shade fabric. Ends fitted with polycarbonate end caps color coordinated with fabric (EasyRise™ headrail end caps white, bottom rail end caps color-coordinated to sill rail).

- LIFTING MECHANISM:** Molded engineering plastic cordlock color-coordinated to fabric with stainless steel components providing durable and crash-proof operation (EasyRise™ white engineered plastic rotary clutch mechanism provides ease of operation when continuous cord loop is activated and holds shade in place unless force is applied). Color coordinated braided polyester .035" lift cord and .086" tassel cord, tassel, and stop-ball (EasyRise™ color-coordinated braided polyester .11" continuous cord loop provides uniform cord length with polycarbonate cored tensioner for additional safety. White nylon covered polyester 2.45mm wide x 0.17mm thick lift tape allows for easy operation of heavy shades). Located on either side of individual shade unit as per architect's request.
- MOUNTING HARDWARE:** Manufacturer's standard polycarbonate universal hidden brackets (EasyRise™ nylon coated zinc-plated 1040 steel HR steel), provide a sleek, unobtrusive appearance.
- ADDITIONAL AVAILABLE OPTIONS:** Top-Down, Top-Down/Bottom-Up, 2 Blinds on 1 Headrail, Skylight System, Hold Down Brackets, Motorization (EasyRise™: Hold Down Brackets, Motorization)

#### 2.03 FABRICATION

- Blind measurements shall be accurate to within + 1/8" or as recommended in writing by manufacturer.

#### 2.04 FINISHES

- FABRIC finish to be duotone with neutral tone facing the exterior and color selection facing the interior. Color selection from the following: Opaque (D23) & Semi-Opaque (D22): 951 Daisy White, 457 Journal, 907 Beach Shells, 713 Pearl Gray, 750 Graphite, 749 Black Onyx.