

RB Basics Roller Shade System

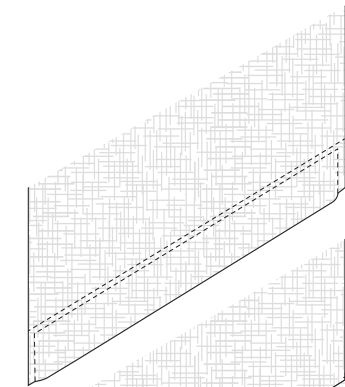
Hembar Color & Design Options



Note: Color and finish images are for illustration only. For accurate specification, please request product samples.

Design Options:

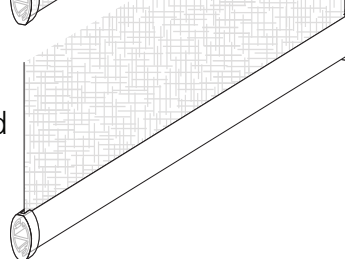
- *Sealed Pocket with Weight



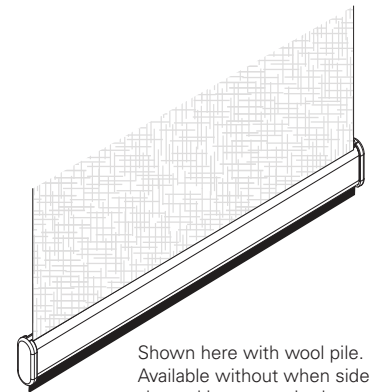
- *Fabric Wrapped Extruded



- Exposed Extruded (available in all colors shown)



- RB 500 Hembar (available in all colors shown)



Note: Fabric choice can at times determine hembar options. Please contact Customer Service for additional information.

* For all fabric-wrapped hembar options, hardware color coordination is based on the room-facing side of the fabric. In cases where a specific hembar color is desired, an override is permitted.