

# RB Basics Roller Shade System

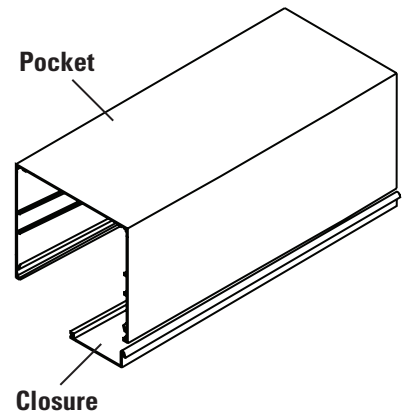
## Pocket Color & Design Options



WHITE



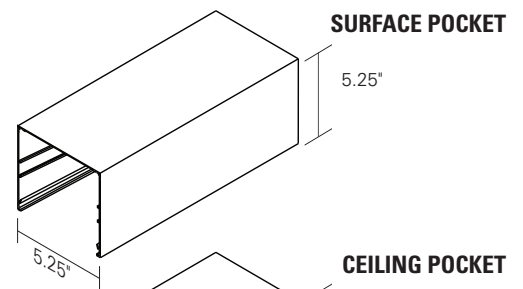
ANODIZED ALUMINUM



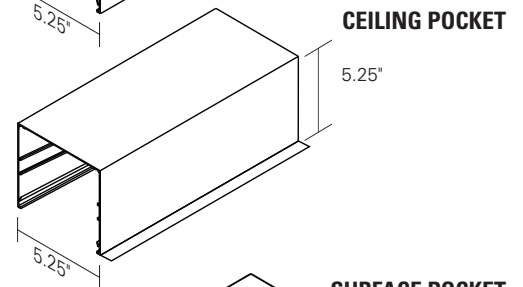
**Note:** Color and finish images are for illustration only. For accurate specification, please request product samples.

### Design Options:

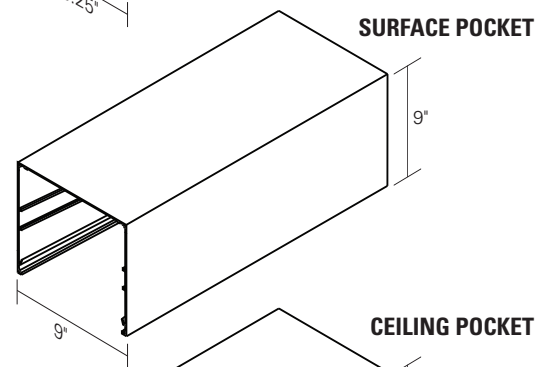
- Available on manual, automated and dual roller shade systems
- Offered in 5.25" and 9" standard profiles
- 2" and 3" closures are available for the 5.25" pocket
- 2", 3", and 5" closures are available for the 9" pocket
- Ceiling pockets are made for recessed applications and contain a tile lip (lip projects 7/8")
- Surface pockets are available for recessed and non-recessed applications



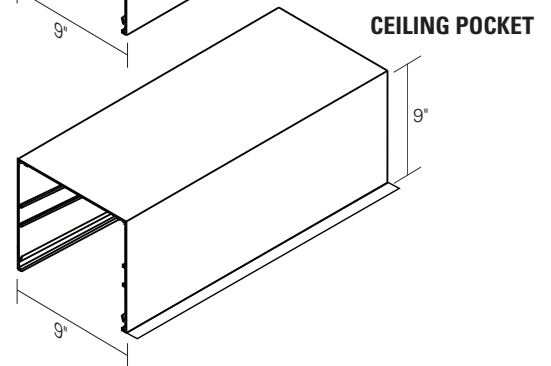
**SURFACE POCKET**



**CEILING POCKET**

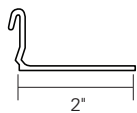


**SURFACE POCKET**

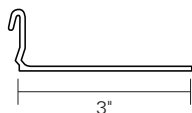


**CEILING POCKET**

### CLOSURES



2"

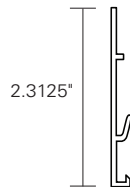


3"

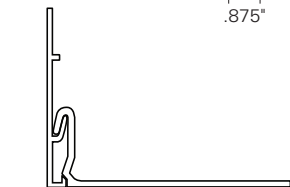


5"

### CLOSURE MOUNT



2.3125"



Closure mount with closure

### CLOSURE MOUNT WITH LIP (available by special order)



.875"