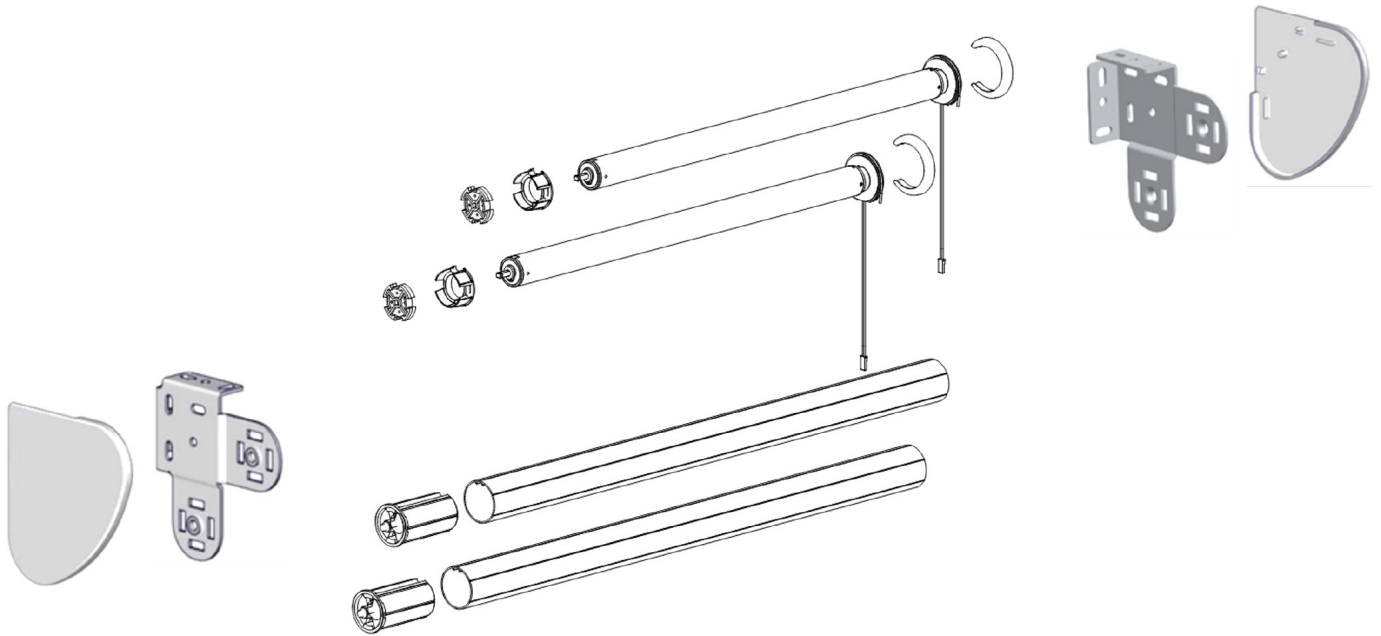


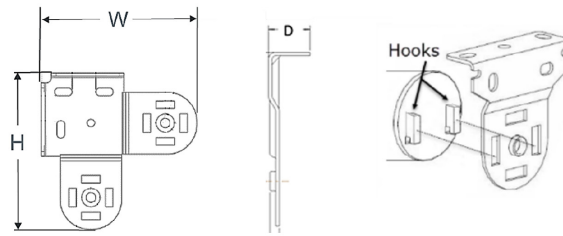
# RB Basics Automated

## Low Voltage Dual Roller Technical Drawing



# RB Basics Automated

## Low Voltage Dual Roller Chart with External Battery, Wirefree, Small Line Voltage



### Specifications

	External Battery		Wirefree				Small Line Voltage		
<b>Mount</b>	Face, Wall or Ceiling								
<b>Tube Sizes</b>	1.5   2.0	1.5   2.0	1.25   1.5	1.5   2.0	2.5	2.0	1.5   2.0		
<b>Motor</b>	OTTO DC2 - 2NMEB	Somfy Sonesse 28	OTTO Recharge 1NM	OTTO Recharge Plus 2NM	OTTO Recharge Max 3NM	Somfy ST 40 WF	OTTO 6	ST40 Stand	ST40 RTS
<b>Minimum Width</b>	23.625 in	20.5 in	24.875 in	30.0 in	36.75 in	30.1 in	27.375 in	23.40 in	25.0 in
<b>Torque Rating</b>	2Nm	1.1Nm	1Nm	2Nm	3Nm	2Nm	6Nm	4Nm	
<b>Fabric Deductions</b>	1.125 in				1.375 in		1.25 in	1.375 in	
<b>Bracket Colors</b>	White and Black								
<b>Bracket Cover Colors</b>	White and Black								
<b>Hembar</b>	Fabric Wrapped Hem Bar • Sealed Pocket • Exposed Extruded Hem Bar								
Inside Mount add 1/8 to fabric deduction • Cloth Measurement is measured width + fabric deduction									

	Bracket	Dimensions	Max Roll Up
<b>External Battery</b>	38 mm	2.37H x 2.20W x 0.69D	2.475
	48 mm	4.82H x 4.82W x 0.87D	2.725
<b>Wirefree</b>	38 mm	2.37H x 2.20W x 0.69D	2.475
	48 mm	4.82H x 4.82W x 0.87D	2.725
<b>Small Line Voltage</b>	38 mm	2.37H x 2.20W x 0.69D	2.475
	48 mm	4.82H x 4.82W x 0.87D	2.725