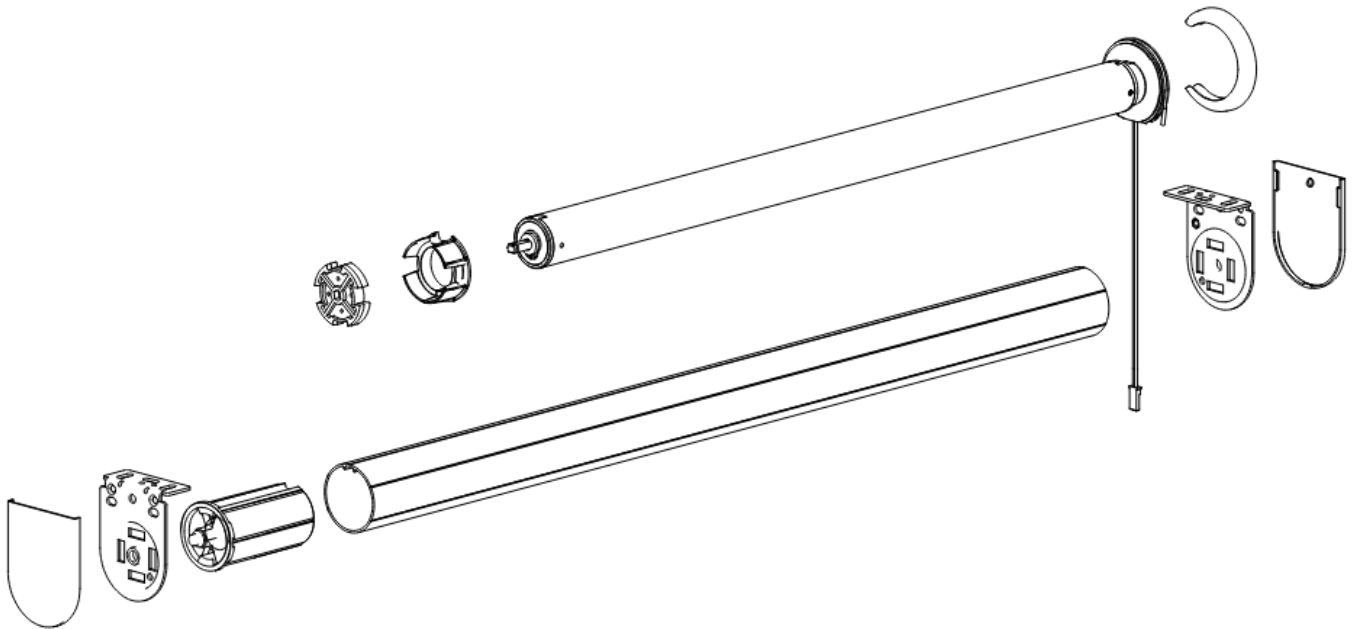


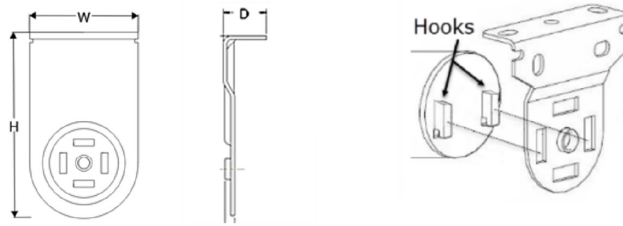
RB Basics Automated

Low Voltage Technical Drawing



RB Basics Automated

Low Voltage Chart with External Battery, Wirefree, Small Line Voltage



Specifications

	External Battery		Wirefree				Small Line Voltage		
Mount	Face, Wall or Ceiling								
Tube Sizes	1.5 2.0	1.5 2.0	1.25 1.5	1.5 2.0	2.5	2.0	1.5 2.0		
Motor	OTTO DC2 - 2NMEB	Somfy Sonesse 28	OTTO Recharge 1NM	OTTO Recharge Plus 2NM	OTTO Recharge Max 3NM	Somfy ST 40 WF	OTTO 6	ST40 Stand	ST40 RTS
Minimum Width	23.625 in	20.5 in	24.875 in	30.0 in	36.75 in	30.1 in	27.375 in	23.40 in	25.0 in
Torque Rating	2Nm	1.1Nm	1Nm	2Nm	3Nm	2Nm	6Nm	4Nm	
Fabric Deductions	1.125 in				1.375 in		1.25 in	1.375 in	
Bracket Colors	White and Black								
Bracket Cover Colors	White and Black								
Hembar	Fabric Wrapped Hem Bar • Sealed Pocket • Exposed Extruded Hem Bar								
Inside Mount add 1/8 to fabric deduction • Cloth Measurement is measured width + fabric deduction									

	Bracket	Dimensions	Max Roll Up
External Battery	40 mm	2.37H x 2.20W x 0.69D	2.875
	55 mm	2.88H x 2.20W x 0.69D	4.375
Wirefree	40 mm	2.37H x 2.20W x 0.69D	2.875
	55 mm	2.88H x 2.20W x 0.69D	4.375
Small Line Voltage	40 mm	2.37H x 2.20W x 0.69D	2.875
	55 mm	2.88H x 2.20W x 0.69D	4.375