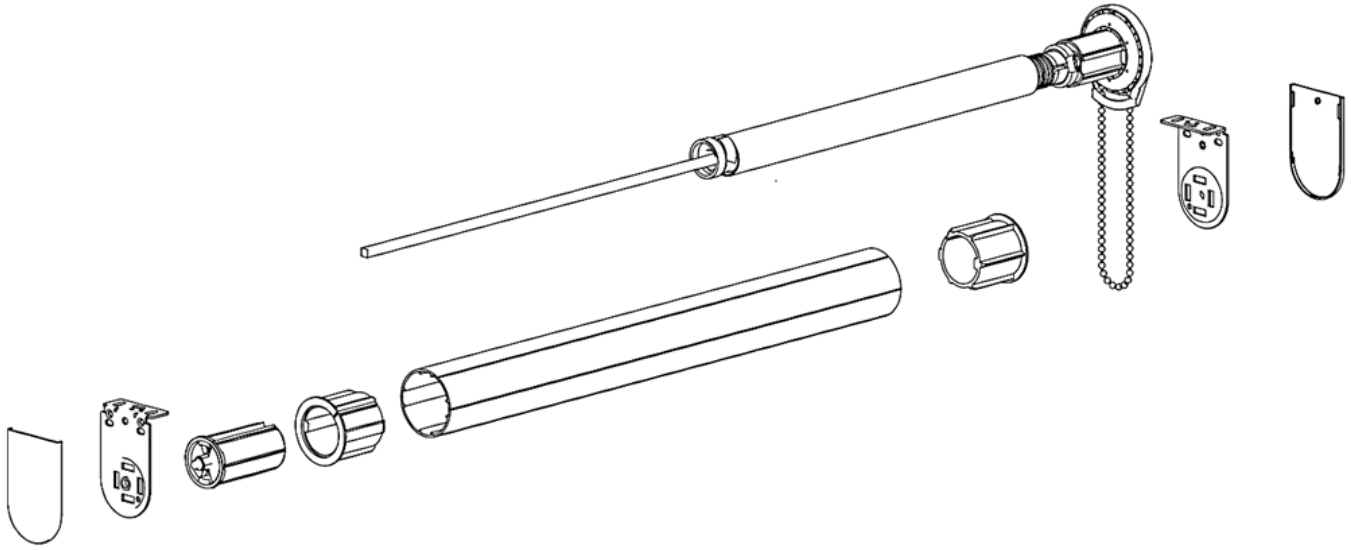


# RB Basics

## G200 Clutch with Spring Assist Technical Drawing



### Specifications

<b>Mount</b>	Face, Wall or Ceiling
<b>Tube Sizes</b>	2.0   2.5
<b>Minimum Shade Width</b>	57.375 in
<b>Lift Capacity</b>	18 lbs
<b>Lift Capacity with Spring Assist</b>	36 inch and 45 inch
<b>Fabric Deductions</b>	1.125 in   1.25 in
<b>Chain</b>	Stainless Steel

<b>Chain Breaking Strength</b>	110 lbs
<b>Clutch Colors</b>	White and Black
<b>Bracket Colors</b>	White and Black
<b>Bracket Cover Colors</b>	White and Black
<b>Hembar</b>	Fabric Wrapped Hem Bar Sealed Pocket Exposed Extruded Hem Bar

Inside Mount add 1/8 to fabric deduction  
Cloth Measurement is measured width + fabric deduction

Bracket	Dimensions	Max Roll Up
40 mm	2.37H x 2.20W x 0.69D	2.875
55 mm	2.88H x 2.20W x 0.69D	4.375

