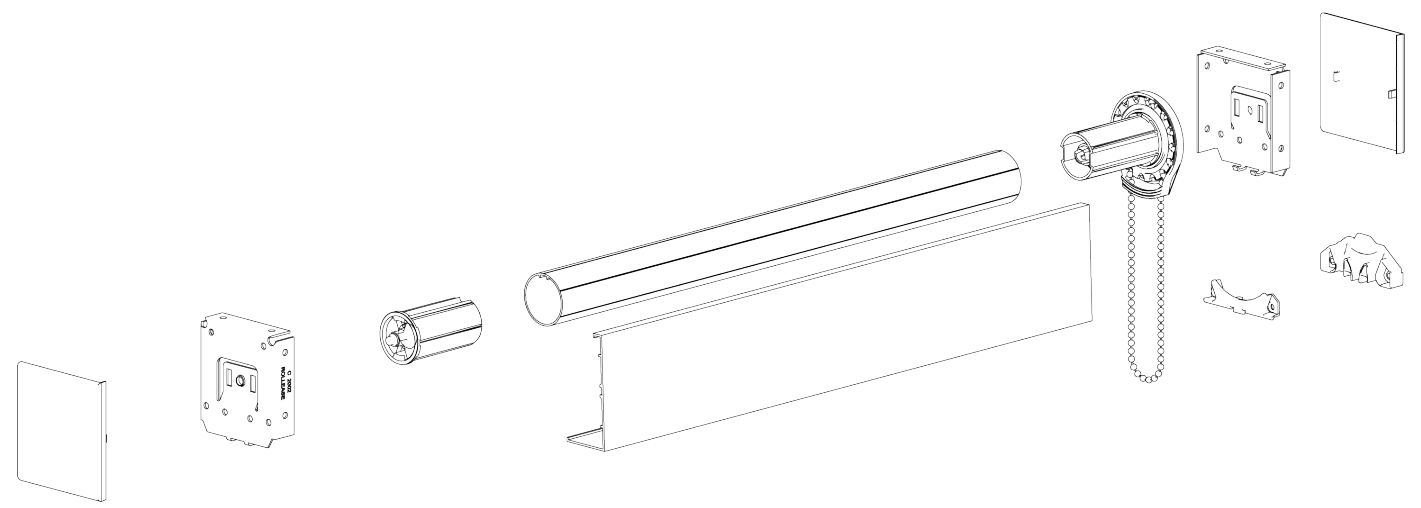


# RB Basics Manual

## 3" Fascia Technical Drawing



### Specifications

<b>Mount</b>	Face, Wall or Ceiling	<b>Chain Breaking Strength</b>	110 lbs
<b>Clutch Sizes</b>	SL15   SL20   G200	<b>Clutch Colors</b>	White and Black
<b>Tube Sizes</b>	1.25   1.5   2.0	<b>Fascia Bracket Size</b>	3 inch
<b>Fabric Deductions</b>	1.25   1.375   1.5	<b>Bracket Colors</b>	White, Black, Bronze, Grey, Vanilla
<b>Minimum Shade Width</b>	12 in   57.375 in with SA	<b>Bracket Cover Colors</b>	White, Black, Bronze, Grey, Vanilla
<b>Lift Capacity</b>	Up to 18 lbs	<b>Hembar</b>	Fabric Wrapped Hem Bar Sealed Pocket Exposed Extruded Hem Bar
<b>Chain</b>	Stainless Steel		

Bracket	Dimensions	Max Roll Up
3 inch	3.40H x 3.00W x 0.70D	2.75

Inside Mount add 1/8 to fabric deduction  
Cloth Measurement is measured width + fabric deduction

