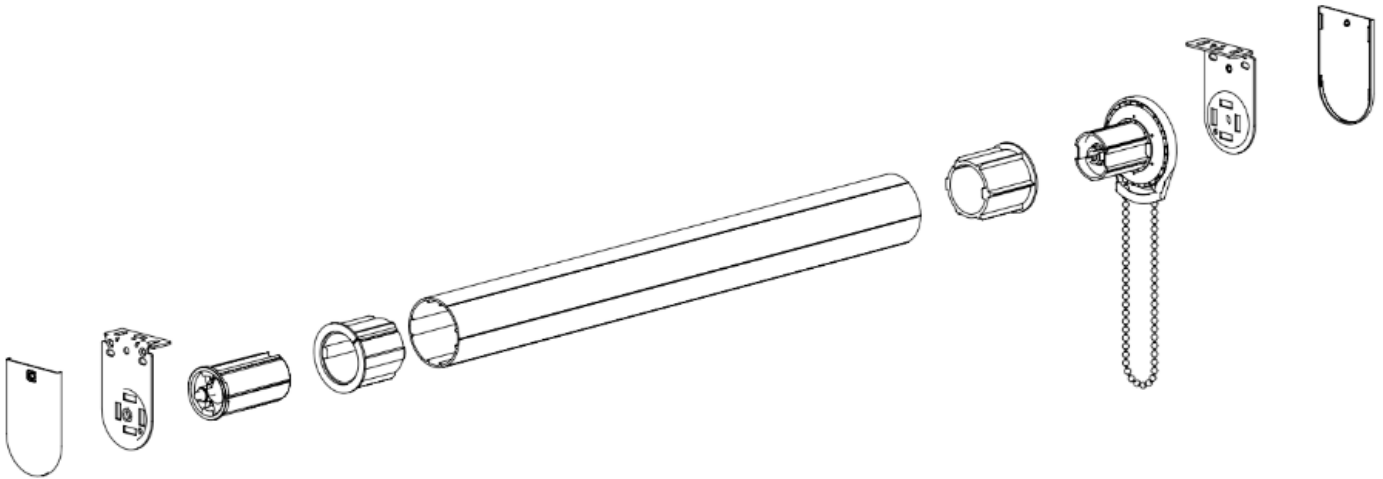


RB Basics

SL30 Clutch Operated Technical Drawing



Specifications

| | |
|-----------------------------------------|-----------------------|
| Mount | Face, Wall or Ceiling |
| Tube Sizes | 1.5 2.0 2.5 |
| Minimum Shade Width | 12 in |
| Lift Capacity | 22 lbs |
| Lift Capacity with Spring Assist | N/A |
| Fabric Deductions | 1.125 in 1.25 in |
| Chain | Stainless Steel |

| | |
|------------------------------------------------------------------------------------------------------------|---------------------------------------------------------------------|
| Chain Breaking Strength | 110 lbs |
| Clutch Colors | White and Black |
| Bracket Colors | White and Black |
| Bracket Cover Colors | White and Black |
| Hembar | Fabric Wrapped Hem Bar Sealed Pocket Exposed Extruded Hem Bar |
| <p>Inside Mount add 1/8 to fabric deduction Cloth Measurement is measured width + fabric deduction</p> | |

| Bracket | Dimensions | Max Roll Up |
|---------|-----------------------|-------------|
| 40 mm | 2.37H x 2.20W x 0.69D | 2.875 |
| 55 mm | 2.88H x 2.20W x 0.69D | 4.375 |

