

IGC 4N1 CONNECTION CONFIGURATION

- AC POWER 3-WIRE
- 120V 14/4 WIRE FROM EACH MOTOR TO 4N1
- DRY CONTACT KEYPAD CONNECTION VIA CAT5e

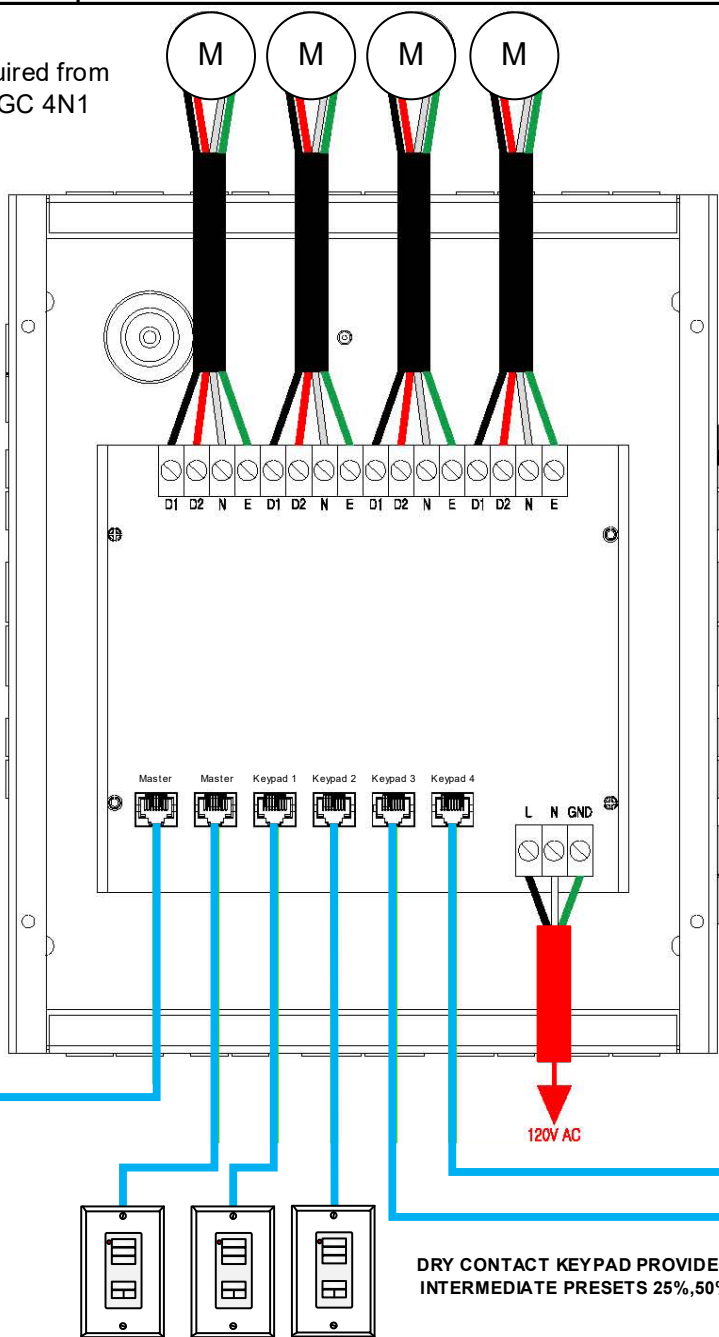
*All AC connections and wire runs should meet code requirements

Note:
Home Run required from each motor to IGC 4N1

120V 14/4 wire consist of

- Hot(Direction 1)
- Hot(Direction 2)
- Neutral
- Ground

Note:
Ampere is rated as a total of all motors connected. Each motor does not exceed 2A at start up.



IGC4n1		
Utilizing RJ-45 TIA-568B termination standard		
Pin #	Color	Function
1	Orange White	IP 1
2	Orange	IP 2
3	Green White	IP 3
4	Blue	12V +
5	Blue White	N/A
6	Green	Down
7	Brown White	Up
8	Brown	Ground

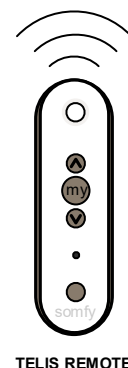


To Third Party Controlled Relays

- One relay is required for each button to be triggered.
- Buttons are triggered by a momentary closing of a relay with the wire for the desired function and Ground(brown) attached.

OPTIONAL CONTROL

OPTIONAL CONTROL



DRY CONTACT KEYPAD PROVIDES DEFAULT INTERMEDIATE PRESETS 25%,50% AND 75%