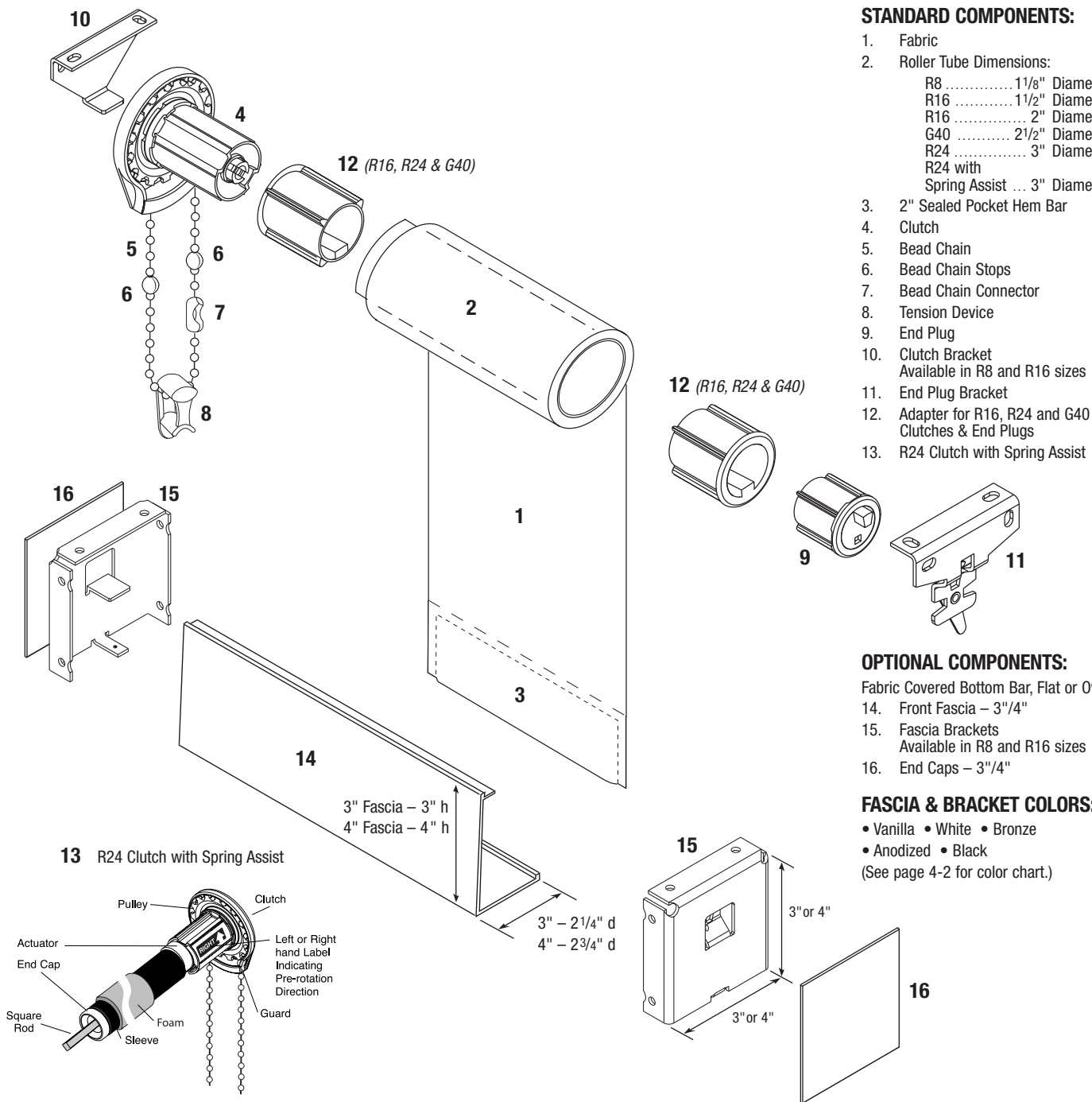


— MANUAL ROLLER SHADE —



STANDARD COMPONENTS:

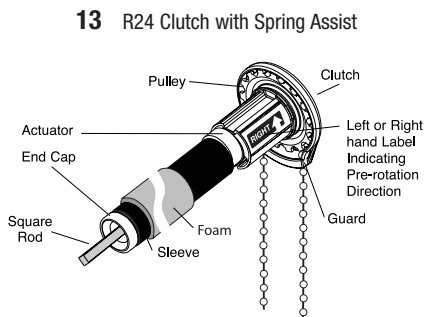
1. Fabric
2. Roller Tube Dimensions:
 - R8 1 1/8" Diameter
 - R16 1 1/2" Diameter
 - R16 2" Diameter
 - G40 2 1/2" Diameter
 - R24 3" Diameter
 - R24 with Spring Assist ... 3" Diameter
3. 2" Sealed Pocket Hem Bar
4. Clutch
5. Bead Chain
6. Bead Chain Stops
7. Bead Chain Connector
8. Tension Device
9. End Plug
10. Clutch Bracket
Available in R8 and R16 sizes
11. End Plug Bracket
12. Adapter for R16, R24 and G40 Clutches & End Plugs
13. R24 Clutch with Spring Assist

OPTIONAL COMPONENTS:

- Fabric Covered Bottom Bar, Flat or Oval
14. Front Fascia – 3"/4"
 15. Fascia Brackets
Available in R8 and R16 sizes
 16. End Caps – 3"/4"

FASCIA & BRACKET COLORS:

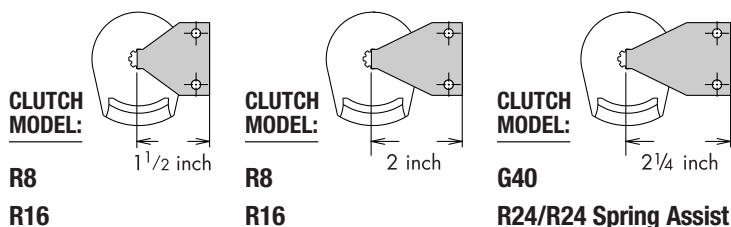
- Vanilla • White • Bronze
 - Anodized • Black
- (See page 4-2 for color chart.)



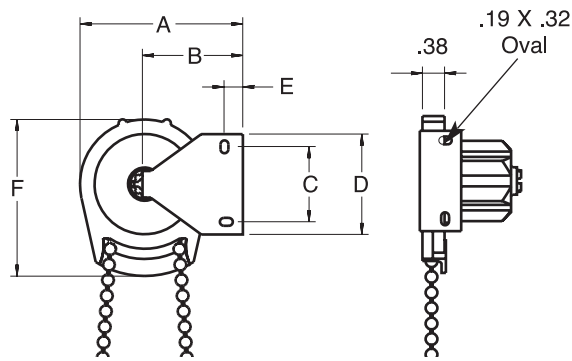
SHADE SIZES & WEIGHTS:

CLUTCH MODEL	SHADE WIDTH	SHADE DROP	MAXIMUM WEIGHT
R8	12" – 72"	12" – 144"	8 lbs.
R16	72 1/8" – 120"	12" – 144"	16 lbs.
G40	120 1/8" – 156"	12" – 144"	40 lbs.
R24/R24 with Spring Assist	156 1/8" – 192"	12" – 144"	40 lbs.

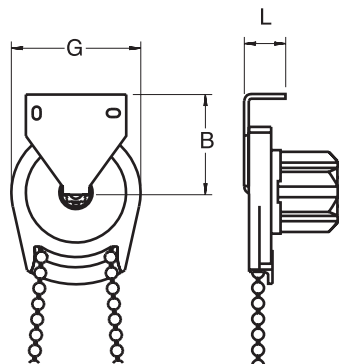
BRACKET PROJECTIONS:



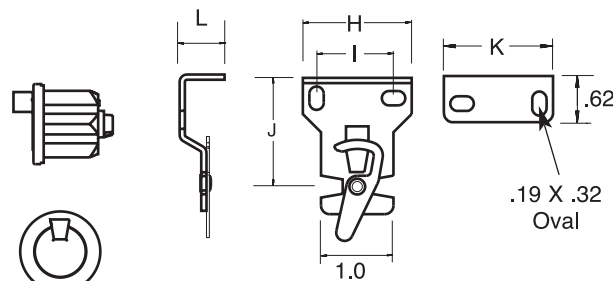
— COMPONENT DIMENSIONS —



Outside & Inside Mount



Ceiling Mount



End Plug and Bracket with Retainer

Flange diameter matches outside diameter of tube

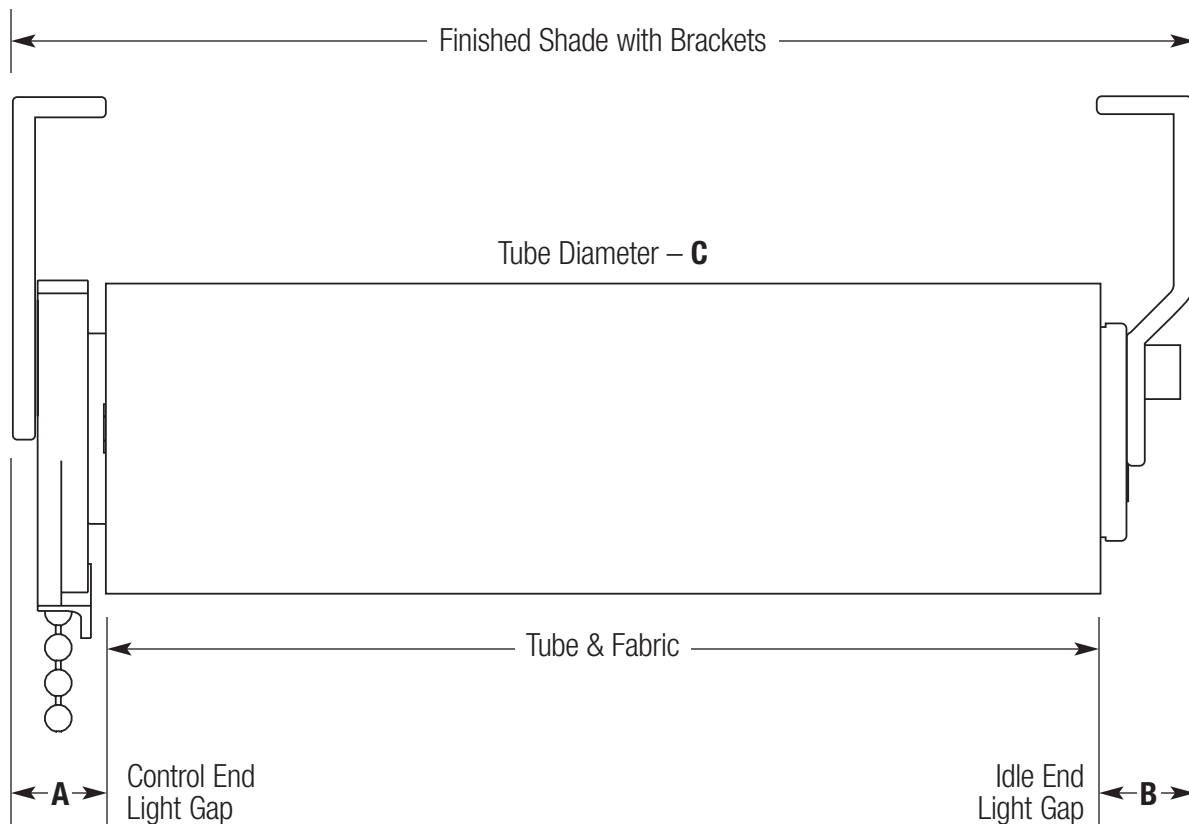
COMPONENT DIMENSIONS:

CLUTCH MODEL	BRACKET MODEL	A	B	C	D	E	F	G	H	I	J	K	L
R8	1 1/2" Projection	2.48"	1.5"	1.06"	1.5"	0.28"	2.35"	1.95"	1.5"	1.125"	1.5"	1.5"	.62"
	2" Projection	2.98"	2.0"	1.06"	1.5"	0.28"	2.35"	1.95"	1.5"	1.125"	2.0"	1.5"	.62"
R16	1 1/2" Projection	2.95"	1.62"	2.0"	2.5"	0.31"	3.21"	2.65"	2.5"	2.0"	1.5"	2.5"	.62"
	2" Projection	3.45"	2.12"	2.0"	2.5"	0.31"	3.21"	2.65"	2.5"	2.0"	2.0"	2.5"	.62"
G40*	2 1/4" Projection	4.0"	2.25"	1.75"	3.0"	0.375"	4.25"	3.50"	3.0"	1.75"	2.25"	3.0"	.62"
R24/R24 WITH SPRING ASSIST	2 1/4" Projection	4.0"	2.25"	1.75"	3.0"	0.375"	4.25"	3.50"	3.0"	1.75"	2.25"	3.0"	.62"

* Requires more chain length due to greater gear ratio

— SINGLE SHADE MOUNTING —

(Deductions will be taken by manufacturer. Please order desired width.)

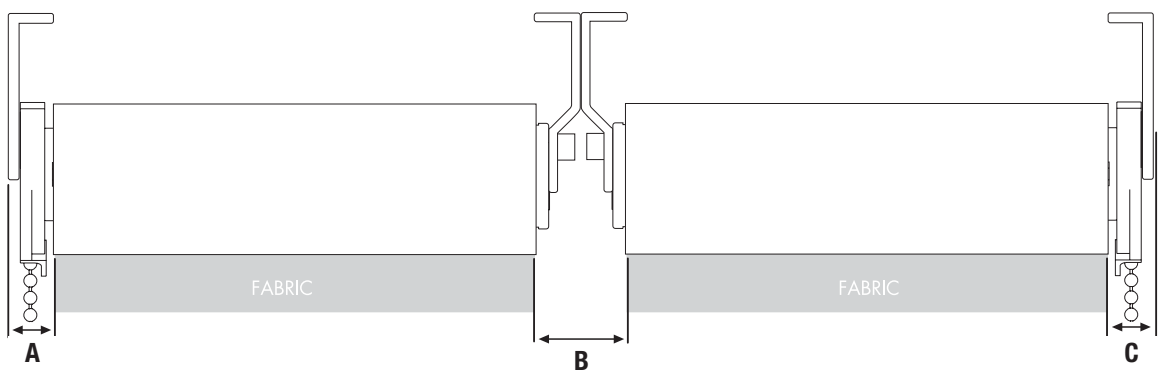


SINGLE SHADE MOUNTING DIMENSIONS:

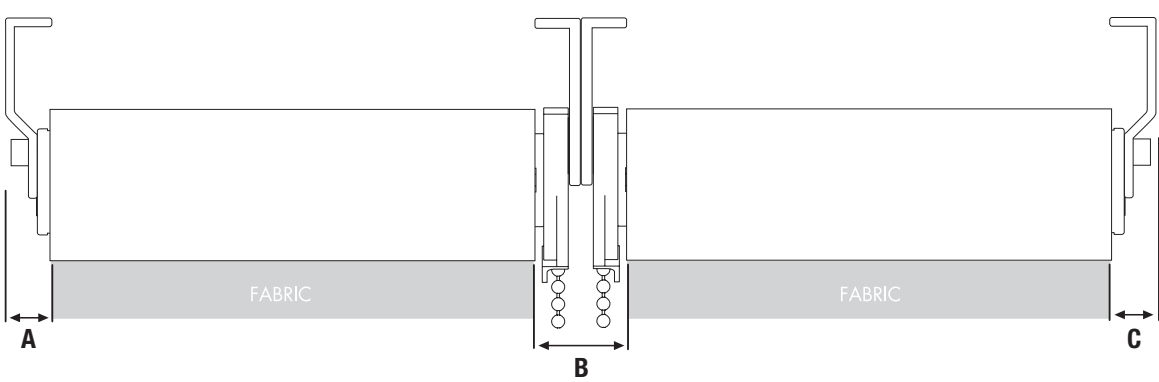
CLUTCH MODEL	CONTROL END LIGHT GAP A	IDLE END LIGHT GAP B	TUBE DIAMETER C
R8	.510"	.573"	1 1/8"
R16	.635"	.573"	1 1/2" / 2"
G40	7/8"	5/8"	2 1/2"
R24/R24 with Spring Assist	7/8"	5/8"	3"

— SIDE-BY-SIDE MOUNTING —

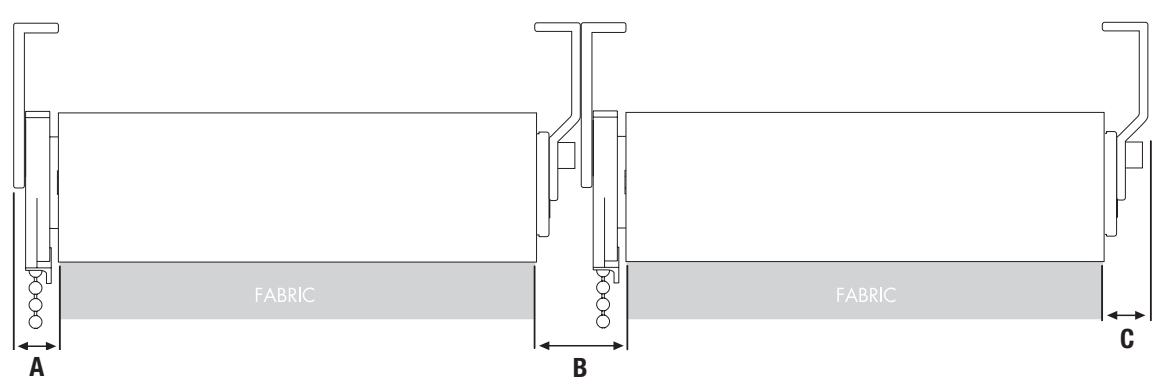
LEFT AND RIGHT CLUTCHES



RIGHT AND LEFT CLUTCHES



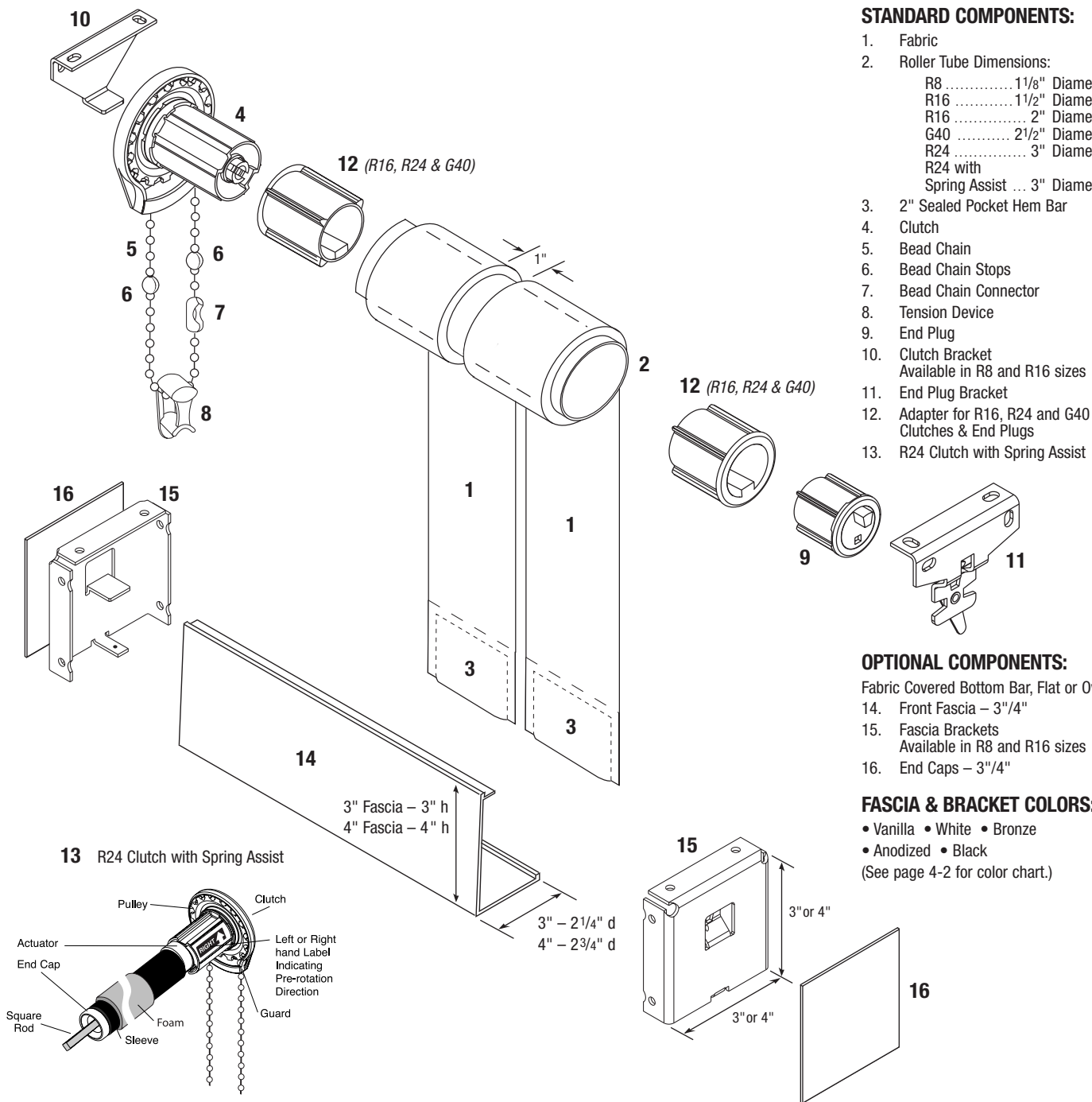
LEFT CLUTCHES



SIDE-BY-SIDE GAP DIMENSIONS:

CLUTCH MODEL	LEFT & RIGHT CLUTCHES			RIGHT & LEFT CLUTCHES			LEFT CLUTCHES		
	A	B	C	A	B	C	A	B	C
R8	1/2"	1 1/8"	1/2"	9/16"	1"	9/16"	1/2"	1 1/16"	9/16"
R16	5/8"	1 1/8"	5/8"	9/16"	1 1/4"	9/16"	5/8"	1 3/16"	9/16"
G40	7/8"	1 1/4"	7/8"	5/8"	1 3/4"	5/8"	5/8"	1 1/2"	5/8"
R24/R24 with Spring Assist	7/8"	1 1/4"	7/8"	5/8"	1 3/4"	5/8"	5/8"	1 1/2"	5/8"

— MANUAL BANDED ROLLER SHADE —



STANDARD COMPONENTS:

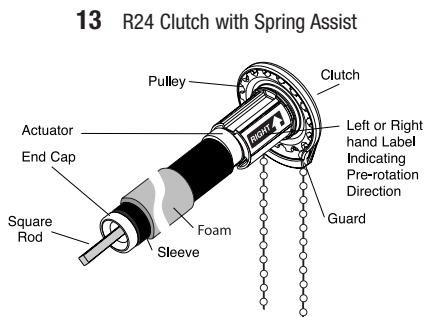
1. Fabric
2. Roller Tube Dimensions:
 - R8 1 1/8" Diameter
 - R16 1 1/2" Diameter
 - R16 2" Diameter
 - G40 2 1/2" Diameter
 - R24 3" Diameter
 - R24 with Spring Assist ... 3" Diameter
3. 2" Sealed Pocket Hem Bar
4. Clutch
5. Bead Chain
6. Bead Chain Stops
7. Bead Chain Connector
8. Tension Device
9. End Plug
10. Clutch Bracket
Available in R8 and R16 sizes
11. End Plug Bracket
12. Adapter for R16, R24 and G40 Clutches & End Plugs
13. R24 Clutch with Spring Assist

OPTIONAL COMPONENTS:

- Fabric Covered Bottom Bar, Flat or Oval
14. Front Fascia - 3"/4"
 15. Fascia Brackets
Available in R8 and R16 sizes
 16. End Caps - 3"/4"

FASCIA & BRACKET COLORS:

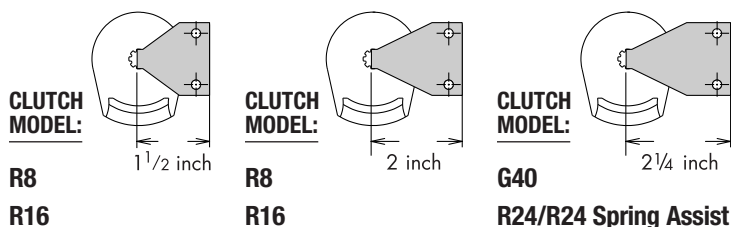
- Vanilla • White • Bronze
 - Anodized • Black
- (See page 4-2 for color chart.)



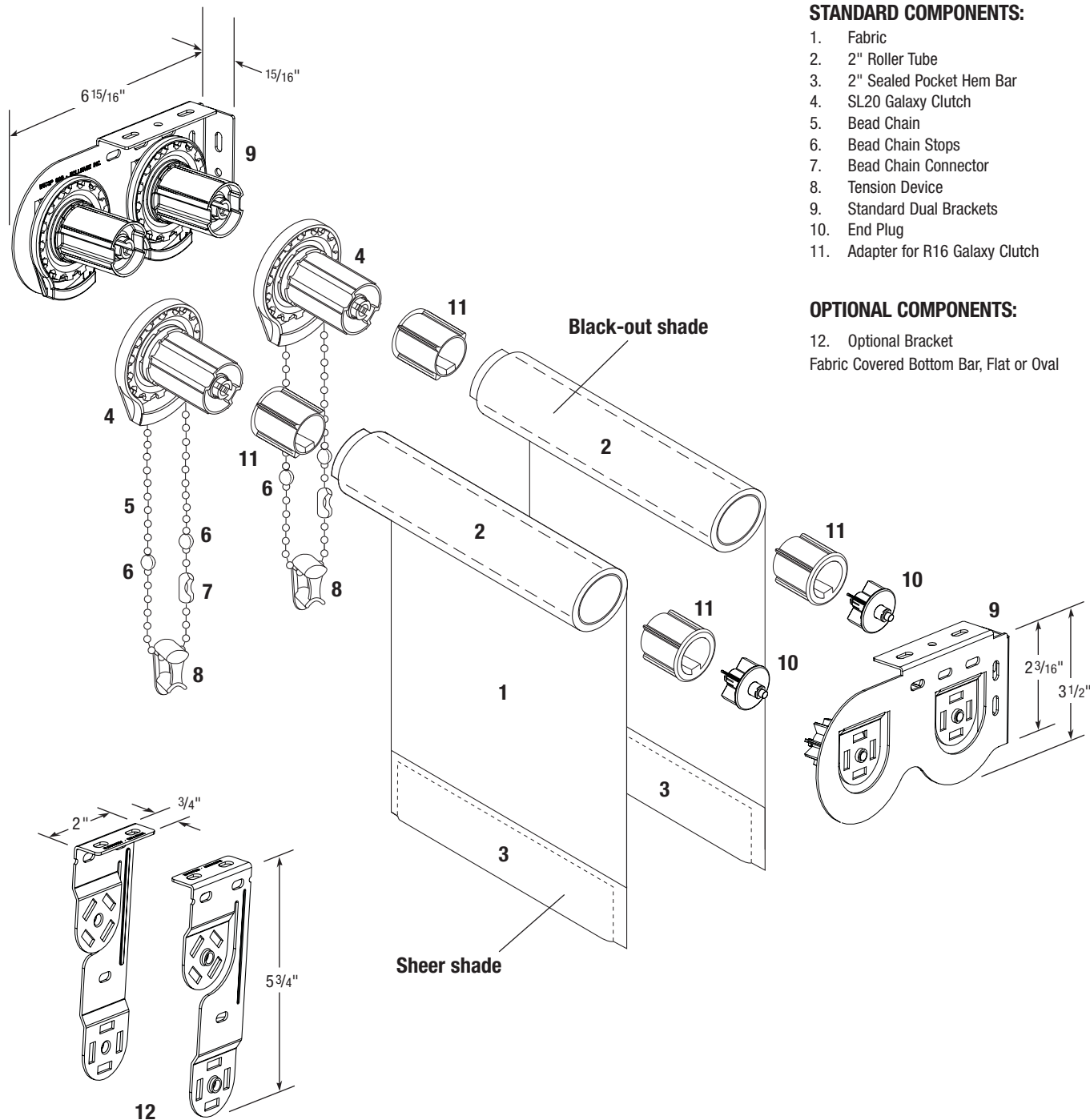
SHADE SIZES & WEIGHTS:

CLUTCH MODEL	SHADE WIDTH	SHADE DROP	MAXIMUM WEIGHT
R8	12" - 72"	12" - 144"	8 lbs.
R16	72 1/8" - 120"	12" - 144"	16 lbs.
G40	120 1/8" - 156"	12" - 144"	40 lbs.
R24/R24 with Spring Assist	156 1/8" - 192"	12" - 144"	40 lbs.

BRACKET PROJECTIONS:



— DUAL MANUAL ROLLER SHADES —



STANDARD COMPONENTS:

1. Fabric
2. 2" Roller Tube
3. 2" Sealed Pocket Hem Bar
4. SL20 Galaxy Clutch
5. Bead Chain
6. Bead Chain Stops
7. Bead Chain Connector
8. Tension Device
9. Standard Dual Brackets
10. End Plug
11. Adapter for R16 Galaxy Clutch

OPTIONAL COMPONENTS:

12. Optional Bracket
- Fabric Covered Bottom Bar, Flat or Oval

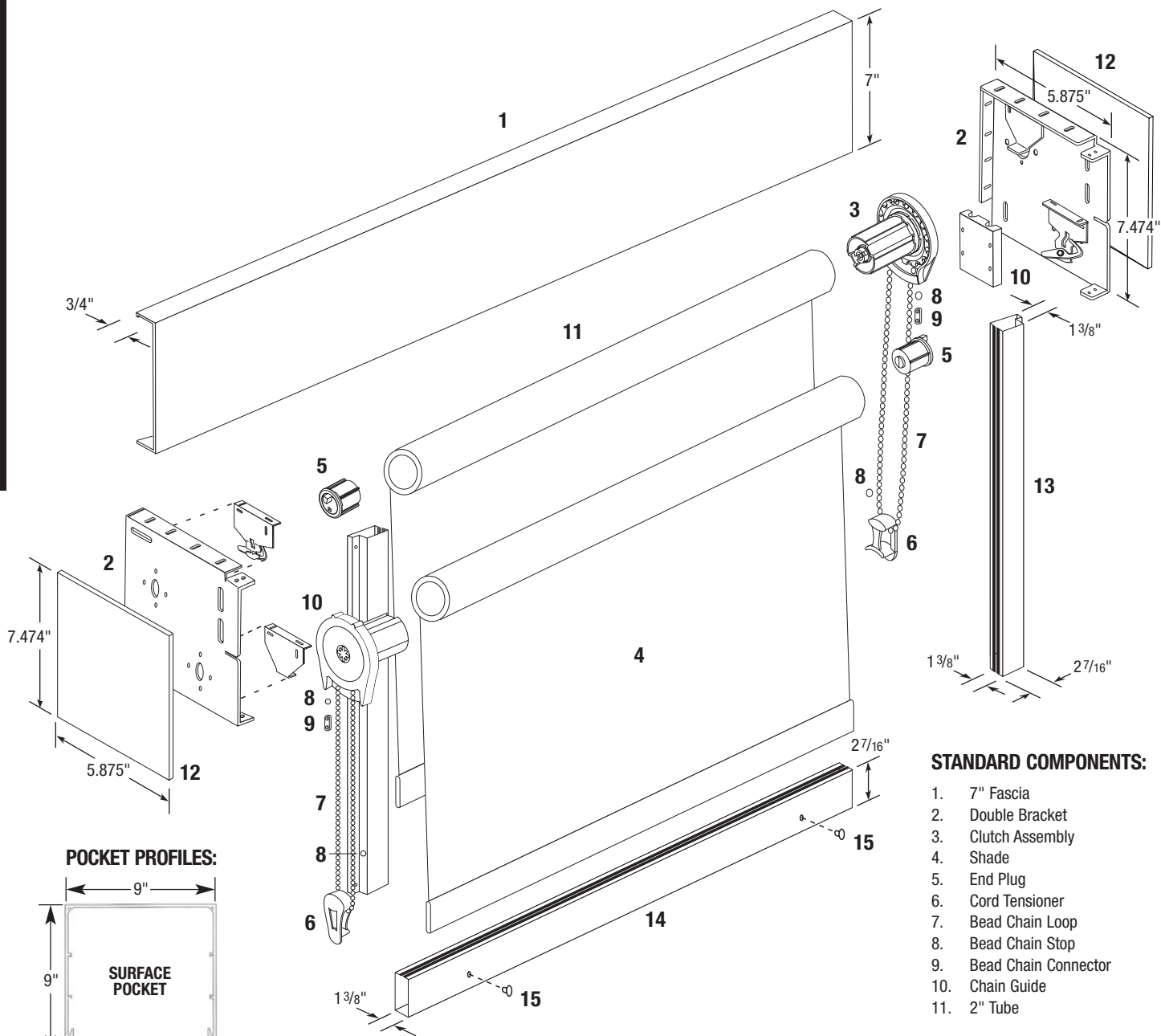
SHADE SIZES & WEIGHTS:

CLUTCH MODEL	SHADE WIDTH	SHADE DROP	MAXIMUM WEIGHT	TUBE SIZE	MAXIMUM ROLL-UP DIAMETER*
SL20 Galaxy	18" – 120"	12" – 120"	16 lbs.	2"	3.4"

*Roll-up diameter varies with the thickness of the fabric. Contact Hunter Douglas Architectural if specific roll-up diameter information is required.

NOTE: Recommended for inside mount applications only.

— DUAL MANUAL SHADES WITH FASCIA —



STANDARD COMPONENTS:

1. 7" Fascia
2. Double Bracket
3. Clutch Assembly
4. Shade
5. End Plug
6. Cord Tensioner
7. Bead Chain Loop
8. Bead Chain Stop
9. Bead Chain Connector
10. Chain Guide
11. 2" Tube

OPTIONAL COMPONENTS:

12. Fascia End Plate
13. Blockout Side Channel
14. Blockout Bottom Channel
15. Mounting Hole Plugs
- Fabric Covered Bottom Bar, Flat or Oval

FASCIA & BRACKET COLORS:

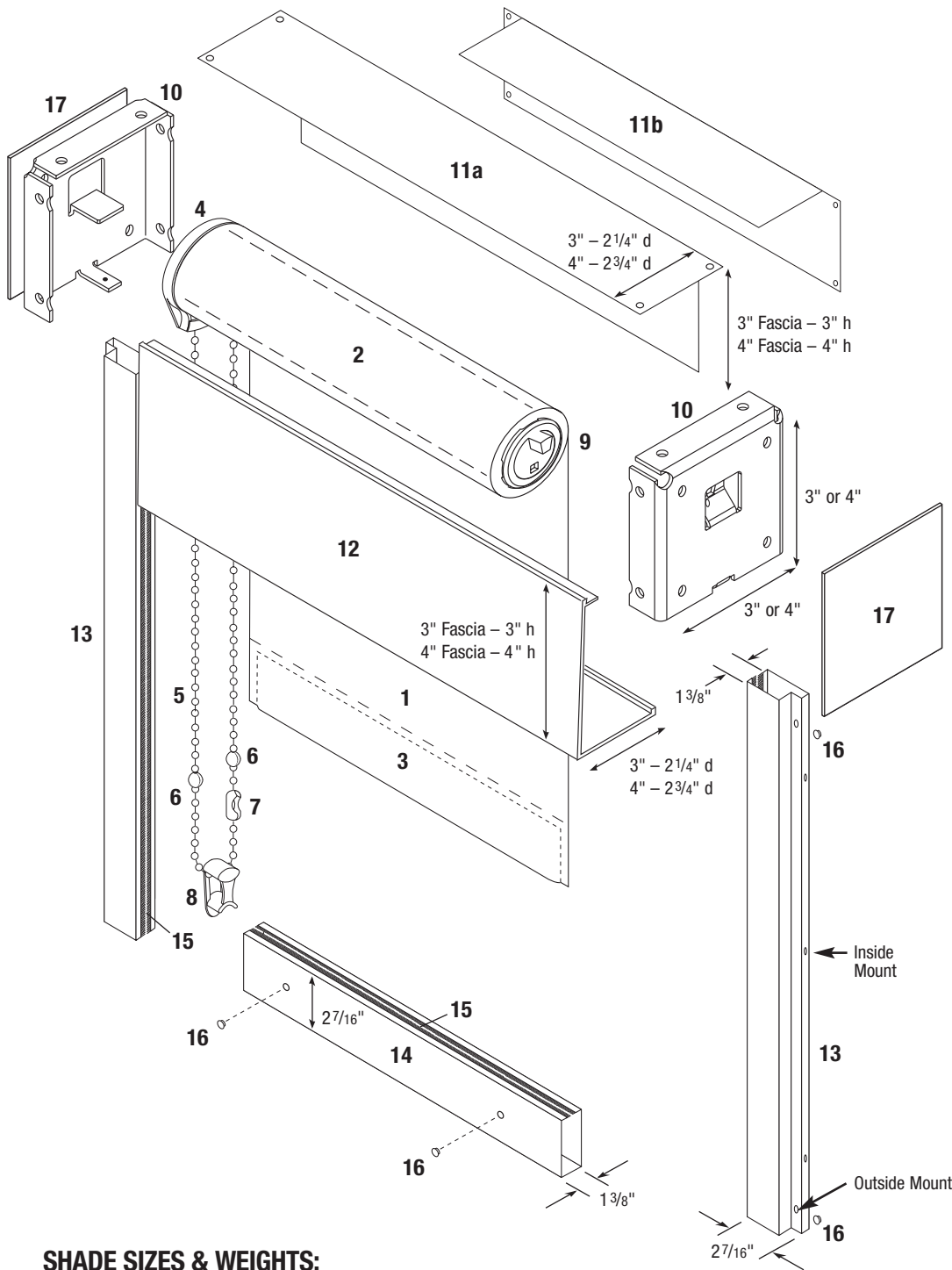
- Vanilla • White • Bronze
 - Anodized • Black
- (See page 4-2 for color chart.)

SHADE SIZES & WEIGHTS:

CLUTCH MODEL	SHADE WIDTH	SHADE DROP	MAXIMUM WEIGHT	TUBE SIZE	MAXIMUM ROLL-UP DIAMETER*
R16	18" – 120"	12" – 120"	16 lbs.	2"	3.5"

*Roll-up diameter varies with the thickness of the fabric. Contact Hunter Douglas Architectural if specific roll-up diameter information is required.

— MANUAL SHADE WITH BLOCKOUT SYSTEM —



STANDARD COMPONENTS:

1. Fabric
2. Roller Tube Dimensions:
 - R8 1 1/8" Diameter
 - R16 1 1/2" Diameter
 - R16 2" Diameter
 - G40 2 1/2" Diameter
 - R24 3" Diameter
3. 2" Sealed Pocket Hem Bar
4. Clutch
5. Bead Chain
6. Bead Chain Stops
7. Bead Chain Connector
8. Tension Device
9. End Plug
10. 3" / 4" Fascia Brackets
 - R8 1 1/8" Diameter
 - R16 1 1/2" Diameter
- 11a. Top/Back Fascia (OM)
 - 3" Dimensions: 3" h x 2 1/4" d
 - 4" Dimensions: 4" h x 2 3/4" d
- 11b. Top/Back Fascia (IM)
 - 3" Dimensions: 2 1/4" h x 3" d
 - 4" Dimensions: 2 3/4" h x 4" d
12. Front Fascia
 - 3" Dimensions: 3" h x 2 1/4" d
 - 4" Dimensions: 4" h x 2 3/4" d
13. Side Channels
 - Dimensions: 27/16" w x 1 3/8" d
14. Bottom Channel
 - Dimensions: 27/16" h x 1 3/8" d
15. Wool Pile
16. Mounting Hole Plugs (outside mount only)

OPTIONAL COMPONENTS:

17. End Caps – 3" / 4"
- Fabric Covered Bottom Bar, Flat

FASCIA & BRACKET COLORS:

- Vanilla • White • Bronze
 - Anodized • Black
- (See page 4-2 for color chart.)

SHADE SIZES & WEIGHTS:

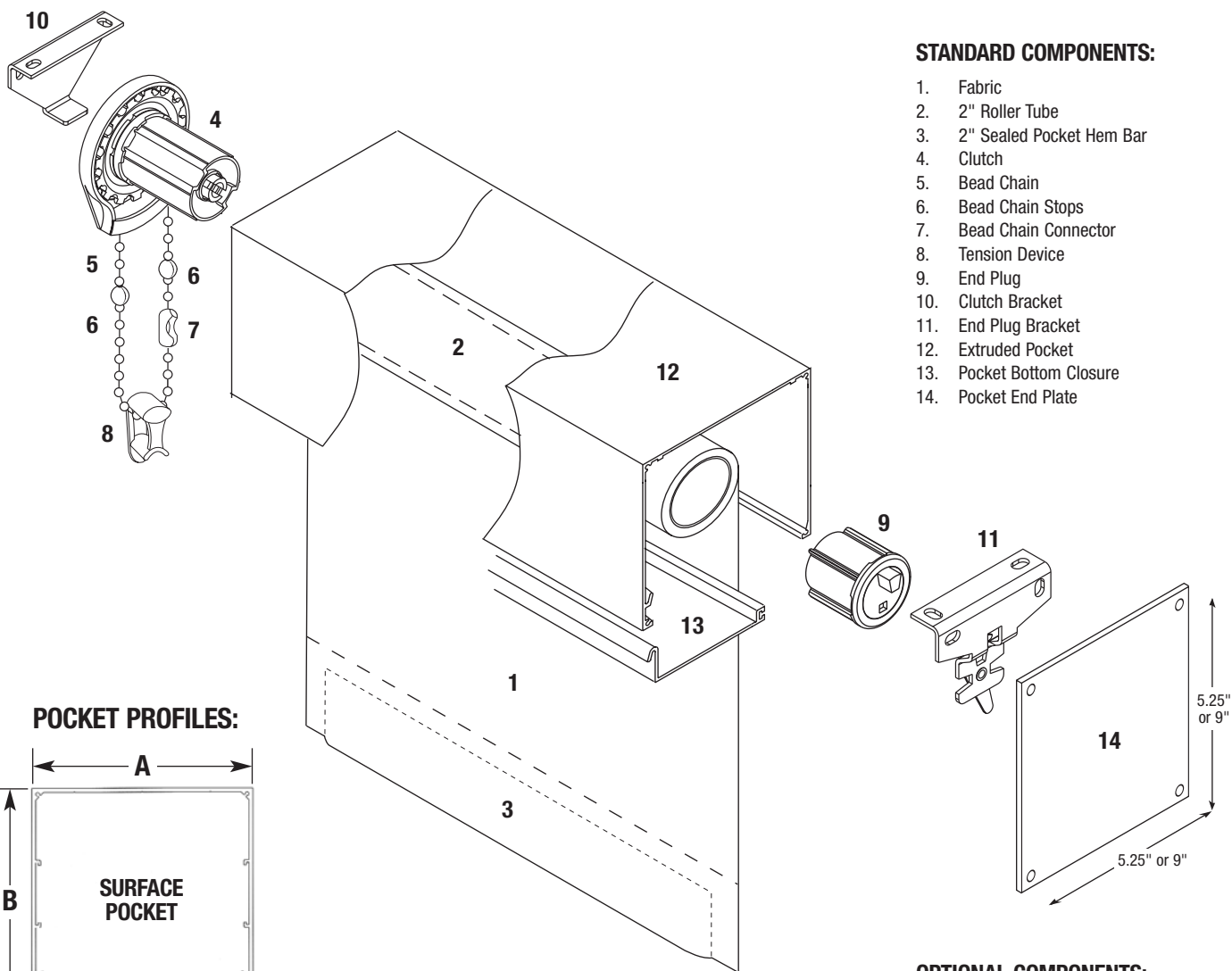
CLUTCH MODEL	SHADE WIDTH	SHADE DROP	MAXIMUM WEIGHT	TUBE SIZE 3" FASCIA	TUBE SIZE 4" FASCIA	MAXIMUM ROLL-UP DIAMETER* 3" FASCIA	MAXIMUM ROLL-UP DIAMETER* 4" FASCIA
R8	12" – 72"	12" – 144"	8 lbs.	1 1/8"	—	27/8"	—
R16	72 1/8" – 90"	12" – 144"	16 lbs.	1 1/2"	1 1/2"	27/8"	37/8"
R16	90 1/8" – 120"	12" – 144"	16 lbs.	—	2"	—	37/8"
G40	120 1/8" – 156"	12" – 144"	40 lbs.	—	2 1/2"	—	37/8"
R24	156 1/8" – 192"	12" – 144"	24 lbs.	—	3"	—	37/8"
R24 with Spring Assist	156 1/8" – 192"	12" – 144"	40 lbs.	—	3"	—	37/8"

* Roll-up diameter varies with the thickness of the fabric and tube diameter. Contact Hunter Douglas Contract if specific roll-up diameter information is required.

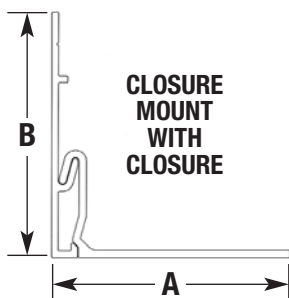
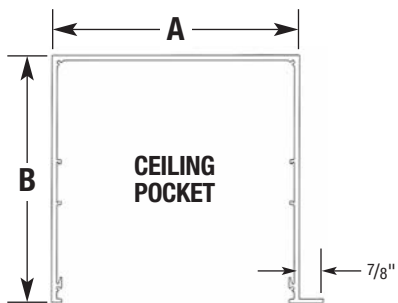
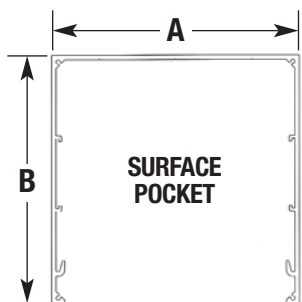
— MANUAL SHADE WITH EXTRUDED POCKET —

STANDARD COMPONENTS:

1. Fabric
2. 2" Roller Tube
3. 2" Sealed Pocket Hem Bar
4. Clutch
5. Bead Chain
6. Bead Chain Stops
7. Bead Chain Connector
8. Tension Device
9. End Plug
10. Clutch Bracket
11. End Plug Bracket
12. Extruded Pocket
13. Pocket Bottom Closure
14. Pocket End Plate



POCKET PROFILES:



OPTIONAL COMPONENTS:

- Fabric Covered Bottom Bar
- Flat or Oval

EXTRUDED POCKET COLORS:

- White • Anodized
- (See page 4-2 for color chart.)

POCKET DIMENSIONS:

POCKET SIZE	WIDTH A	HEIGHT B
Surface Pocket	5 1/4"	5 1/4"
	9"	9"
Ceiling Pocket	5 1/4"	5 1/4"
	9"	9"
Closure Mount (B) with 2" Closure (A)	2"	2 5/16"
Closure Mount (B) with 3" Closure (A)	3"	2 5/16"
Closure Mount (B) with 5" Closure (A)	5"	2 5/16"