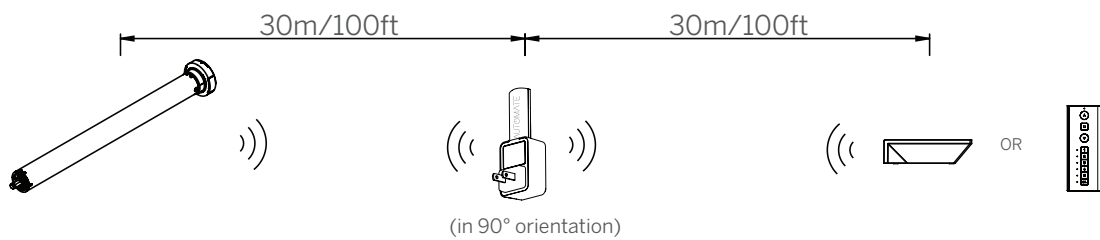


OTTO REPEATER

Item# 1013125

Description: The OTTO Repeater can extend the RF range of operation for ARC-enabled products by up to 40m (131ft).

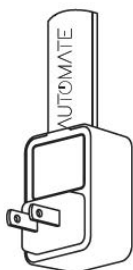


NOTE: RF source can be an OTTO Bridge or any ARC Remote Control or Sensor.

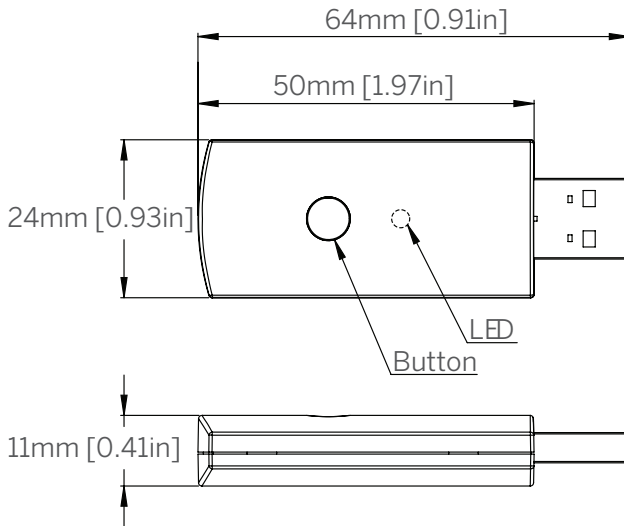
POWER ADAPTER

US

62200000



DIMENSIONS



SPECIFICATIONS

INTERFACE	USB	COLOR	WHITE
WORKING VOLTAGE	5±0.2 V DC	INDICATOR	BLUE LED
POWER SUPPLY	USB POWER ADAPTER	IP CODE	IP20
RADIO FREQUENCY	433.92MHZ	WEIGHT	0.01kg
RADIO DISTANCE OF OPERATION	40m (in 90° orientation)		0.022lbs
	131.23ft	WORKING TEMPERATURE	-5 ~ 50 °C
RECEIVER SENSITIVITY	≥ -65 dB		23 ~ 122 °F
TRANSMITTER POWER	3 ~ 3.5 dBm	WORKING HUMIDITY	< 80%
RF PROTOCOL	ARC	STORAGE TEMPERATURE	-10 ~ 65 °C
RF MODULATION	FSK		14 ~ 149 °F
SAFETY CERTIFICATION	TUV		
RF CERTIFICATION	RTTE		
ENVIRONMENTAL CERTIFICATION	ROHS		
ELECTROSTATIC DISCHARGE	4KV (Contact discharge) 8KV (Air discharge)		