

Parkland™ Wood Blinds Collection



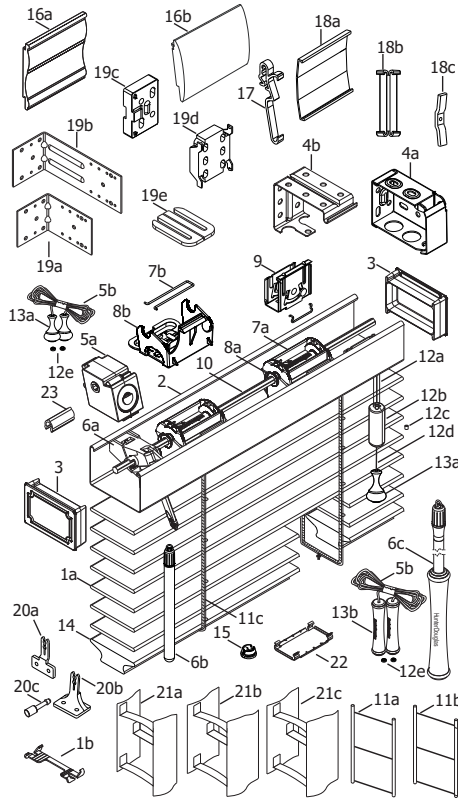
Parkland™ Wood Blinds collection is one of the most comprehensive wood blind programs in the market today. Constructed from the finest hardwoods, Parkland wood blinds have the inherent beauty of natural wood grain and color variation.

KEY FEATURES

- Hunter Douglas Lifetime Guarantee
- Low VOCs and GREENGUARD Gold Certified
- Harvested from responsibly managed forest
- Designed and assembled in the USA
- Resistant to fading and moisture
- Optional LiteRise® cordless lift system provides added child safety



HunterDouglas 
Architectural



STANDARD PARTS

- 1a. Slat
- 1b. Tape Spacer
- 2. Headrail
- 3. Headrail End Cap
- 4a. Installation Bracket
- 4b. Intermediate Support Bracket
- 5a. Cord Tilter
- 5b. Tilt Cord 1.4mm
- 6a. Wand Tilter
- 6b. Wand
- 6c. Decorative Tilt Wand Assembly
- 7a. Tape Roll 2" Unv. EPIC™
- 7b. Tape Roll Pin
- 8a. Tape Roll Support (Ladders)
- 8b. Tape Roll Support (Dec Tapes)
- 9. Cordlock
- 10. Tiltrod
- 11a. No Loop Cable Tape
- 11b. Single Loop Cable Tape
- 11c. Double Loop Cable Tape
- 12a. Lift Cord 1.4mm
- 12b. Cord Stop
- 12c. Cord Stop Washer
- 12d. Tassel Cord 2.2mm
- 12e. Lift Cord Grommet
- 13a. Wood Tassel
- 13b. Decorative Wood Tassel
- 14. Bottom Rail

- 15. Tape Button
- 16a. Grandover™ Valance
- 16b. Artemis™ Valance
- 17. Universal Valance Clip
- 18a. Valance Splice
- 18b. Universal Valance Corner Key
- 18c. Child Safety Kit (Cord Cleat)

OPTIONAL PARTS

- 19a. Short Extension Bracket
- 19b. Long Extension Bracket
- 19c. Spacer Block (Bracket)
- 19d. Spacer Block (Support Bracket)
- 19e. Bracket Shim
- 20a. Hold-Down Bracket (Jamb)
- 20b. Hold-Down Bracket (Sill)
- 20c. Hold-Down Pin
- 21a. Solid Colored Decorative Tapes (1" wide)
- 21b. Solid Colored Decorative Tapes (1½" wide)
- 21c. Patterned Decorative Tapes (1½" wide)
- 22. Tape Lock
- 23. Clip

PRODUCT SPECIFICATIONS

PART 2 – PRODUCTS

2.01 ACCEPTABLE MANUFACTURER

A. Hunter Douglas Architectural / 13915 Danielson St., Ste.100/Poway, CA 92064 / Phone: 800-727-8953 / Fax: 800-205-9819 / Website: HDarchitectural.com or architect approved equivalent.

B. Product substitutions must be approved by architect minimum of 30 days prior to close of bid.

2.01 2" HORIZONTAL WOOD BLINDS

A. PRODUCT: Hunter Douglas "Parkland™ 2" Horizontal Wood Blind"

B. MATERIALS:

- 1. SLATS:** 2" wide x 1/8" thick cut from quality selected hardwood with slat ends stained or painted to match slat color. Furnish not less than nominal 6.9 slats per foot (cloth tapes 7.2 slats per foot) to ensure tight closure and light control. Finish with manufacturer's standard stained and lacquered or painted finish in colors selected by architect from manufacturer's available contract colors.
- 2. SLAT SUPPORT:** Braided ladders of 100% polyester yarn color compatible with slats and spacing of ladder no more than 44mm. Optional cloth tapes constructed of high strength polyester webbing and spacing of no more than 44mm. Tapes spaced to comply with industry standards for size and weight of blind.
- 3. HEADRAIL:** U-shaped profile with rolled edges, measuring 1 1/2" x 2 1/4" x .024" constructed of corrosion resistant steel and providing a sleek low profile design. Internally fit with components required for specified performance and designed for smooth, quiet, trouble-free operation. Headrail finish to be standard baked-on polyester and to coordinate with slats. Ends fitted with zinc-coated steel end lock with adjustable tab for centering blinds.
- 4. BOTTOM RAIL:** 2" wide x 5/8" thick trapezoidal shape quality selected hardwood with ends stained or painted to match slats. Color-coordinated engineered polymer tape buttons secure the ladder and cord. Finish to be manufacturer's standard stained and lacquered or painted finish to match slats.
- 5. LIFTING MECHANISM:** Engineering polymer and galvanized steel housing cordlocks with polymer roller bearing and steel locking dogs, two-ply polyester cord filler in braided polyester jacket lift cords meet or exceed commercial specification 1029.86, and cord stop / tassel. Located on either side of individual blind unit as per architect's request.
- 6. TILTING MECHANISM:** Permanently lubricated and fully enclosed standard cord tilt holds and tilts slats at any angle. Solid steel, corrosion resistant tilt rod. Optional wand tilt of worm and gear construction with slip clutch incorporated into tilter mechanism.

- 7. OPTIONAL TILT CONTROL WAND:** Rounded 3/8" diameter constructed of quality selected hardwood stained and lacquered or painted to match slats and detachable without tools. Located on either side of individual blind unit as per architect's request.
- 8. MOUNTING HARDWARE:** Manufacturer's standard .030" steel box brackets with baked-on polyester finish to match headrail with additional support brackets for blinds over 48" wide.
- 9. VALANCE:** Crafted of selected hardwoods, stained and lacquered or painted to match slats.
- 10. ADDITIONAL AVAILABLE OPTIONS:** Wand Tilt, de-Light™ Feature, 2 or 3 Blinds on 1 Headrail, Hold Down Brackets, Cutouts, Cloth Tapes, PowerTilt™ with Platinum™ Technology, LiteRise® Cordless Lift System, Extension Brackets.

2.02 FABRICATION

A. Blind measurements shall be accurate to within + 1/8" or as recommended in writing by manufacturer.

2.04 FINISHES

- A. SLAT finish for "Classics" selection from the following:** 450 Distinctly White, 453 Cottonwood, 451 Designer White, 801 Bright White, 867 Vivid White, 808 Eggshell, 809 Linen, 869 Cottage Pine, 467 Fruitwood, 804 Golden Oak, 870 Warm Cherry, 616 Harvest, 466 Hickory, 636 Thoroughbred, 489 Prairie, 471 Espresso, 480 Mission Oak, 618 Tuscany, 112 Black.
- B. SLATSUPPORT** braided ladders shall be color coordinated with slat. Optional 1.5" solid cloth tapes available. 1.5" patterned tapes available. 1" available.