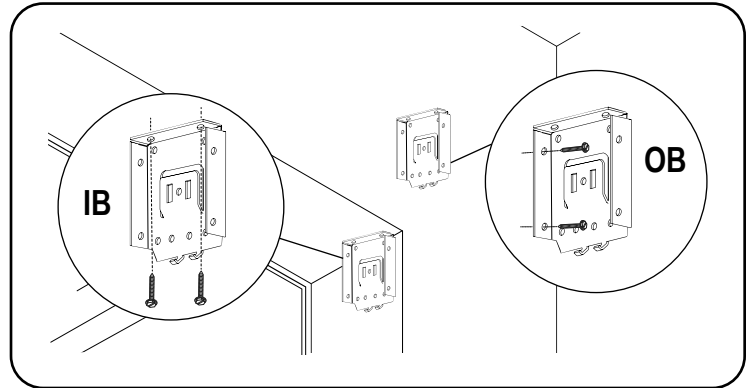
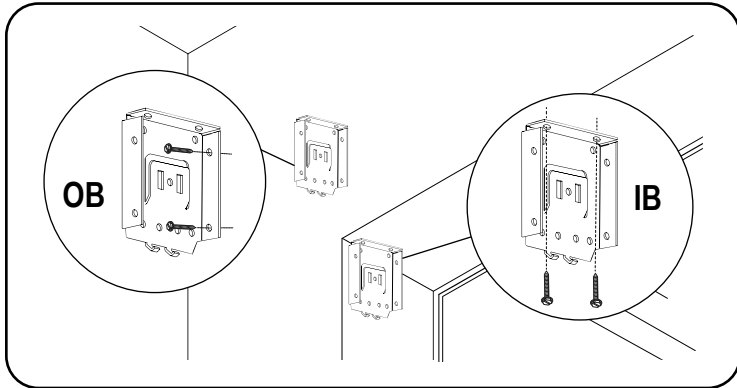


Important: Make sure the mounting surface is level. Brackets must be in line and level for shade to operate properly. Shim brackets if necessary.

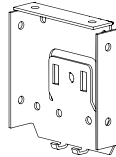
1. Install the Brackets



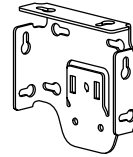
Inside Mount (IB), Install each bracket with two screws either through the side or up through the top. Make sure all brackets are leveled and aligned.

Outside Mount (OB), Secure each bracket with two screws. Make sure all brackets are level. Minimum 1 1/4" mounting surface height requirement.

3" Fascia



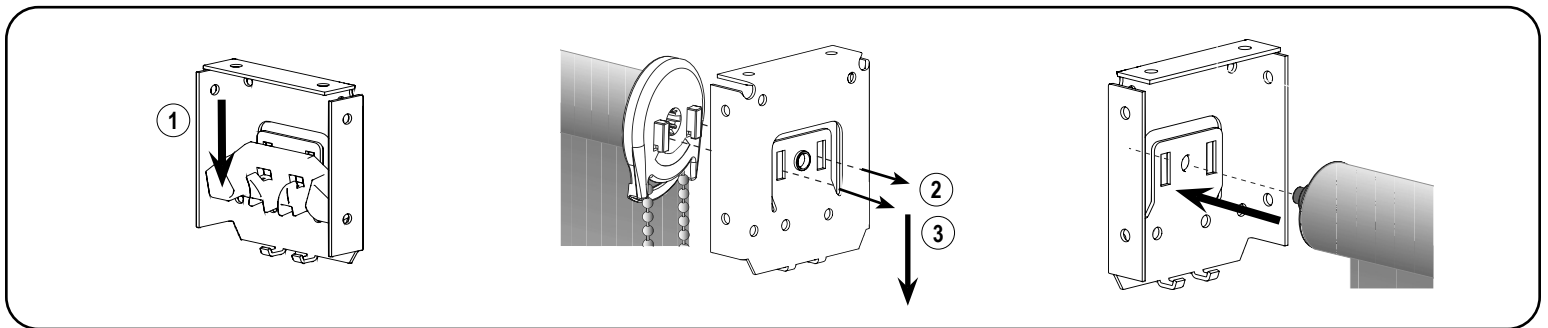
4" Fascia



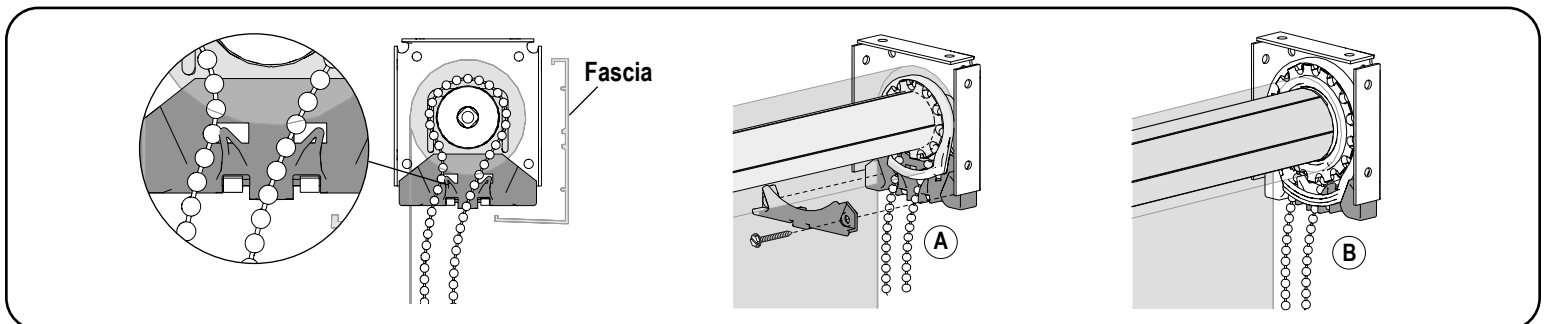
Note: The 3" Fascia uses a different bracket than the 4" Fascia for optimized performance.

2. Install the Shade

2a. 3" Fascia



First, attach chain diverter into the clutch bracket by gently pulling down. Insert the hooks on the clutch straight into the two slots in the bracket. Once the two hooks are through the slots, gently pull down on the clutch until the hooks have locked securely to the bracket. Then, place the spring loaded pin end into the round hole of the bracket.

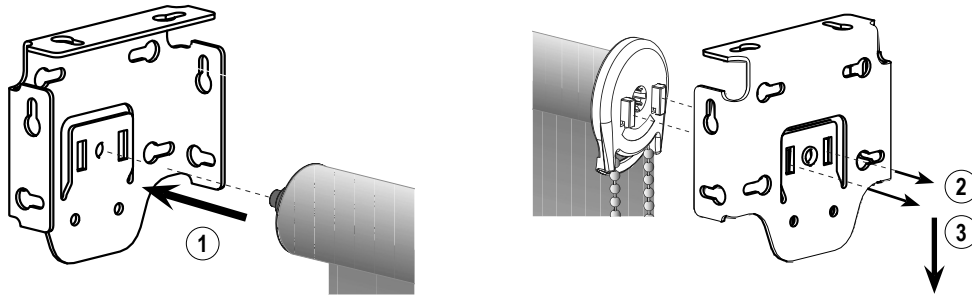


Once the roll has been installed, align the chain in the diverter as shown. This allows room for fascia attachment. For SL10 & SL15 (A), attach the chain diverter cover. If needed, secure the cover with screws. The Clutch SL20 (B) does not require a cover.

INSTALLATION INSTRUCTIONS

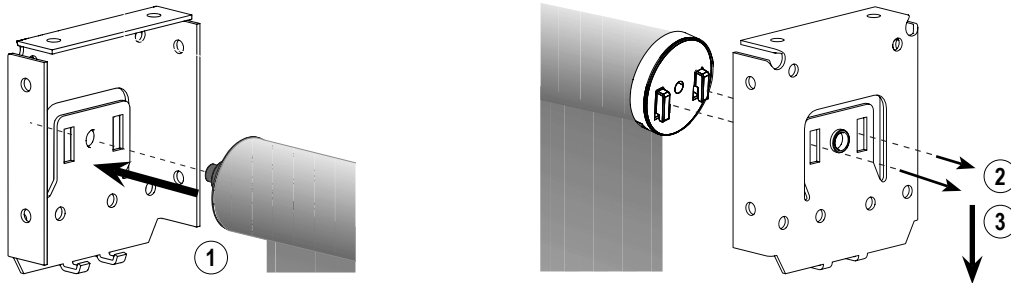
2. Install the Shade

2b. 4" Fascia



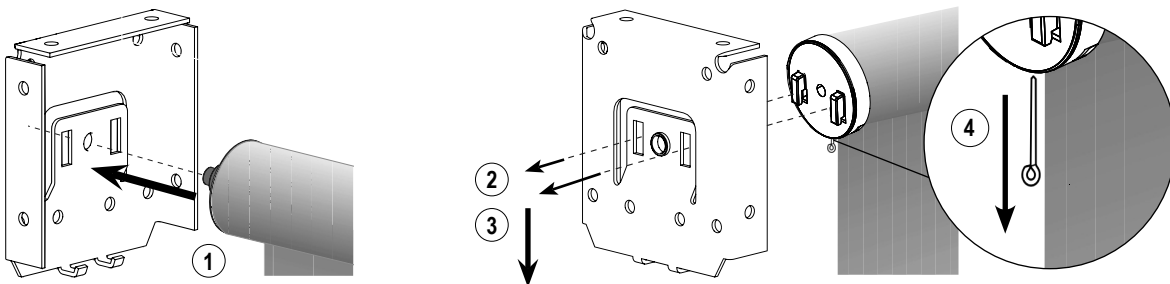
First, place the spring loaded pin end into the round hole of the bracket. Then, keeping the pin end secure in its bracket, insert the hooks on the clutch straight into the two slots in the bracket. Once the two hooks are through the slots, gently pull down on the clutch until the hooks have locked securely to the bracket. The bottom of the clutch should point straight down.

2c. Motorization (Tubes 1 1/2" to 2 1/2")



First, place the spring loaded pin end into the round hole of the bracket. Then, keeping the pin end secure in its bracket, insert the hooks on the motor head straight into the two slots in the bracket. Once the two hooks are through the slots, gently pull down on the motor until the hooks have locked securely to the bracket. The bottom of the motor head should point straight down.

2d. Agile Lift



Important: Do not to pull the lock pin until shade is securely assembled onto the brackets.

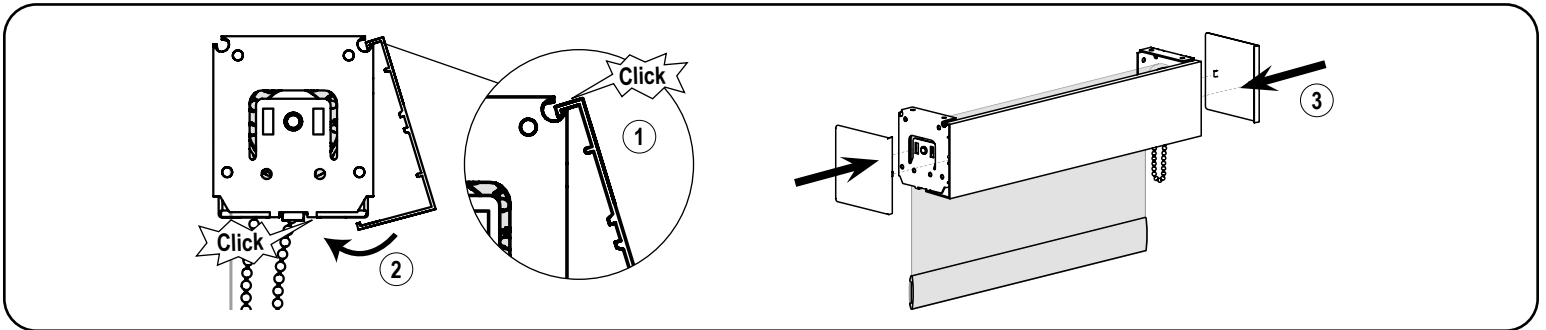
First, place the spring loaded pin end into the round hole of the bracket. Then, keeping the pin end secure in its bracket, insert the hooks on the control head straight into the two slots in the bracket. Once the two hooks are through the slots, gently pull down on the control head until the to hooks have locked securely to the bracket. **Lastly, remove the lock pin** prior to operation by pulling it down.

Note: If for any reason needs to make an adjustment on the position of the installation brackets or remove the shade; raised the shade and **insert the lock pin** prior to **disengaging the shade** from the installation brackets.

INSTALLATION INSTRUCTIONS

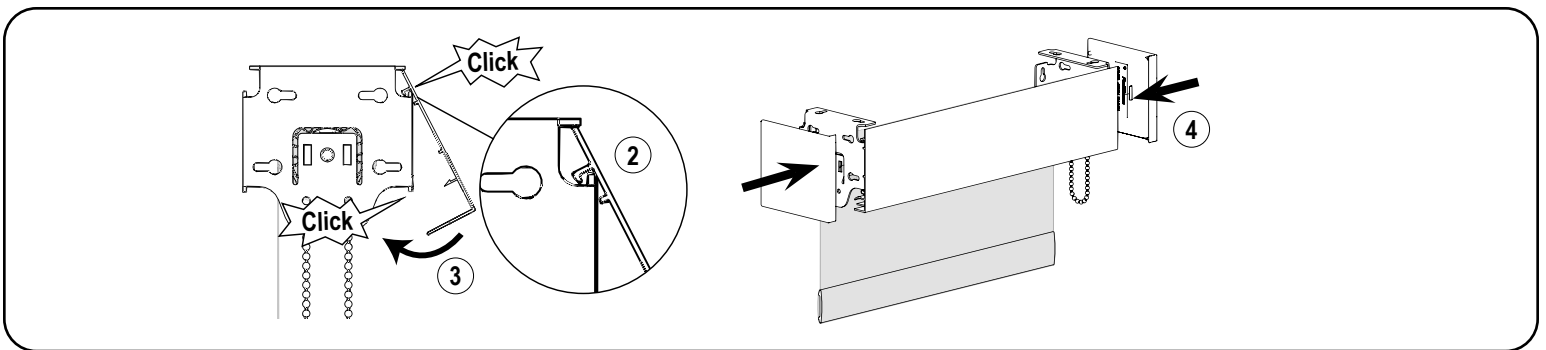
3. Install the Fascia

3a. 3" Fascia



First, position the fascia top ridge into the front top channel of all brackets. Then, rotate the bottom front of the fascia downwards until the bottom rear of the fascia snap into the bracket. Finally, attach the bracket covers.

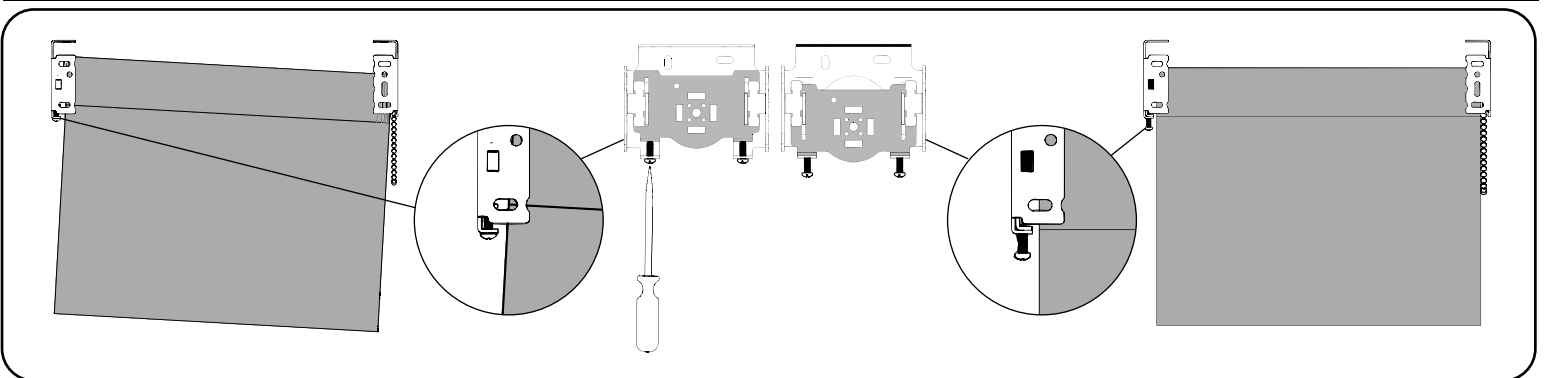
3b. 4" Fascia



First, position the fascia top ridge into the front top channel of all brackets. Then, rotate the bottom front of the fascia downwards until the bottom rear of the fascia snap into the bracket. Finally, attach the bracket covers.

3. Extra Features

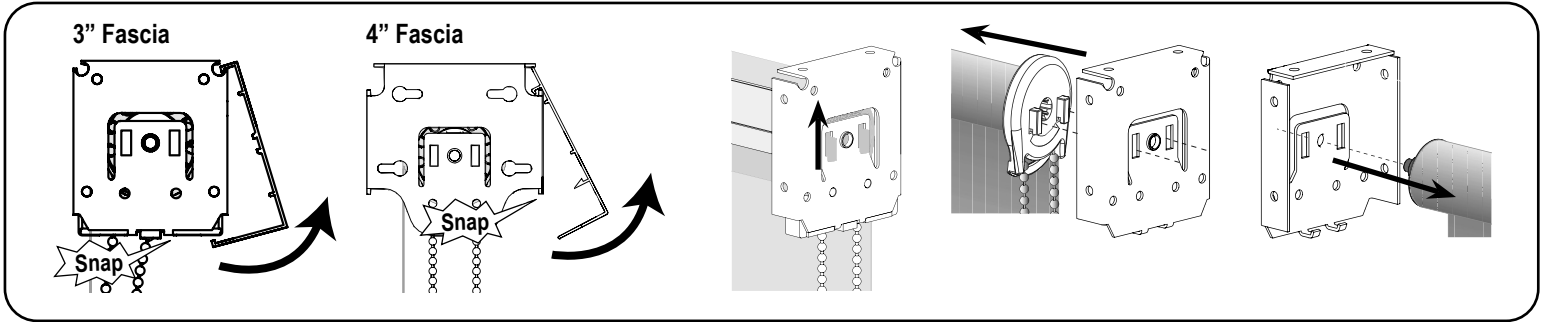
4a. Level Adjust for 4" Fascia Only



Note: In some installations, due to leveling issues, the shade may "telescope". This is not considered a defect.

The 4" fascia offers an optional adjuster bracket with screws that allow the shade to raise or lower ensuring a perfect leveled installation. Once leveled, the shade should stop telescoping.

6. Removing the Shade (Only If Necessary) — Removing the Fascia



First, rotate upward to disengage the fascia. Then, gently pull up the control unit (Clutch, Motor or Spring) until the hooks touch the top part of the bracket slot. Pull the shade towards the spring loaded pin end until the hooks are complete out of the bracket slots. Finally, remove the spring loaded pin end from the idler bracket.

Child Safety

Young children can **STRANGLE** in cord loops and in the loop above the cord stop. They can also wrap cords around their necks and **STRANGLE**.

- Always keep cords out of children's reach.
- Move cribs, playpens and other furniture away from cords. Children can climb furniture to get to cords.
- Do not tie cords together.
- Make sure cords do not twist together and create a loop.

	<h3>WARNING/ADVERTENCIA</h3>
5.1.3	Rev. 5/18 Print 5/18
	<p>Window Blind Cord Can STRANGLE Your Child. To prevent strangulation, purchase cordless products or products with inaccessible cords.</p> <p>La cuerda de la persiana puede ESTRANGULAR a su niño. Para evitar el estrangulamiento, compre alternativas cuerda o productos con cuerdas inaccesibles.</p>