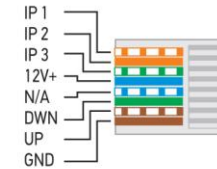


IGC 4N1
MOTOR CONTROLLER

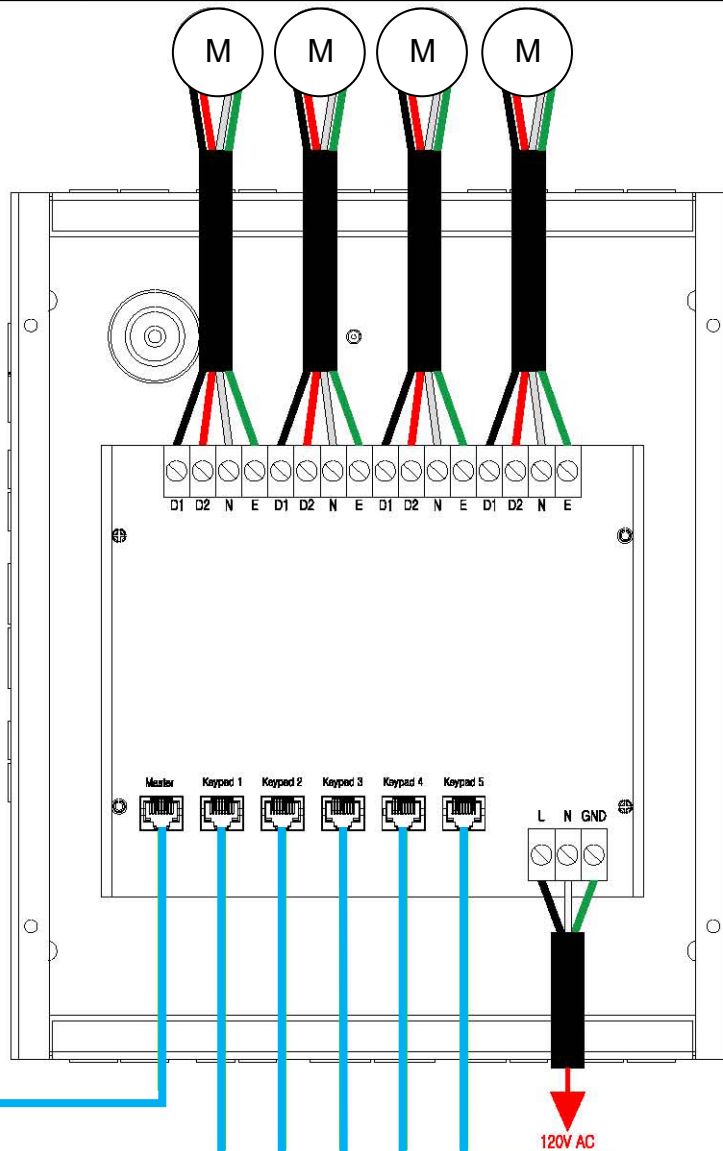
14/4 Wire 120V FROM EACH MOTOR TO 4N1
 DRY CONTACT KEYPAD CONNECTION VIA CAT5e

Hot(Direction 1)
 Hot(Direction 2)
 Neutral
 Ground

CAT 5e Pinout



TO Next IGC 4N1
 CONTROLLER



DRY CONTACT CONNECTION FOR
 3rd PARTY AUTOMATION

OPTIONAL
 CONTROL



OPTIONAL
 CONTROL

