

Sensor Station

animeo Solo

animeo IB+

animeo IP

animeo KNX

animeo LON

SOLUTIONS FOR BUILDING CONTROL



Ref. 9013726

The sensor station consists of an aluminum mast with a pre-mounted and pre-wired Outside Sensor Box, 4 sun sensors, 1 wind speed sensor and 1 outside temperature sensor.

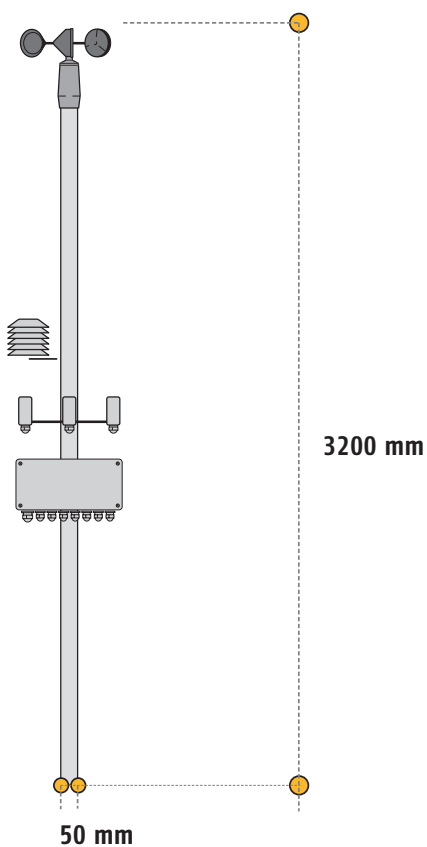
The sensor station can be equipped with additional sensors such as sun sensors and a rain sensor.

Installation advantages

- > Limited installation time thanks to pre-mounted structural components and pre-wired individual sensor devices.
- > Compass included in delivery for exact positioning of the sensor station.
- > Indication of north direction.
- > Position of pre-mounted and pre-wired sun sensors is clearly indicated for exact façade orientation.

Functional advantages

- > Only 24 V DC power supply and data need to be connected to evaluate the selected sensor values and display them through the animeo building control solutions.
- > Scalable selection of sensor types and quantity through animeo building control solutions.



CHARACTERISTICS

Dimensions	H 3,200 mm • Ø mast 50 mm
Weight	9,500 g
Conformity	www.somfy.com/ce