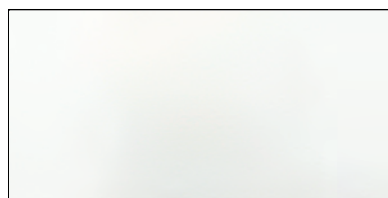


RB 500+ Roller Shade System

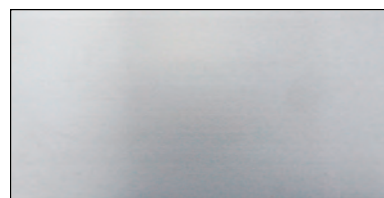
Fascia Color & Design Options



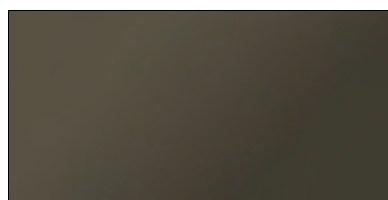
WHITE



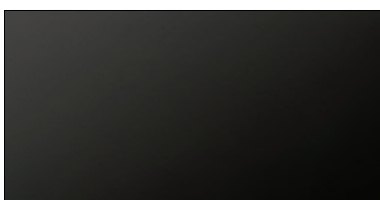
VANILLA



ANODIZED ALUMINUM



BRONZE



BLACK

Note: Color and finish images are for illustration only. For accurate specification, please request product samples

Design Options:

- Available on manual, motorized and dual* roller shade systems
- Reverse roll fascia option available without recess
- Offered in 3" and 4" standard profiles
- Available with top or back cover to conceal shade mechanism from front, sides and top/back
- * *Optional 7" profile available for dual shade bracket (pocket available in white and aluminum only)*

Fig. 1
Standard
Fascia Detail

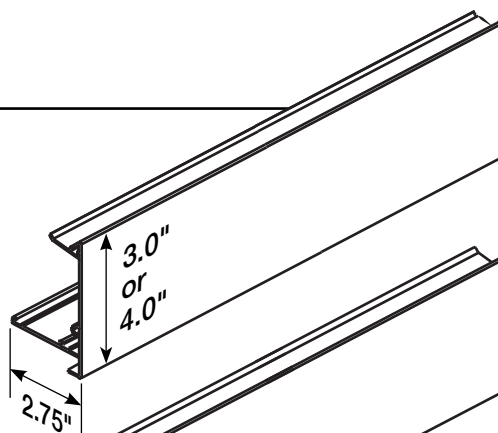


Fig. 2
Reverse Roll
Fascia Detail

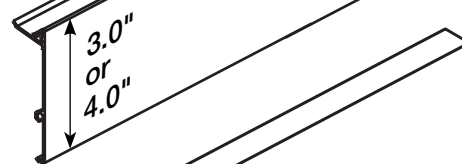


Fig. 3
Optional 7"
Fascia Detail

