

RB 500+ Heavy Duty Clutch - Coupled Blockout

SPECIFICATIONS

Mount: Face, Wall, or Ceiling

Tube Size: 50mm (2") and 62mm (2.5")

Lift Capacity: 9 lbs

Lift Capacity with Spring Assist: 13 lbs

Minimum Width with Spring Assist: 35"

Lift Capacity with Counter Balance System: 20 lbs

Minimum Width with Counter Balance System: 35"

Chain: Stainless Steel

Chain Breaking Strength: 110 lbs

Chain Tensioner Color: Black, Grey, & White

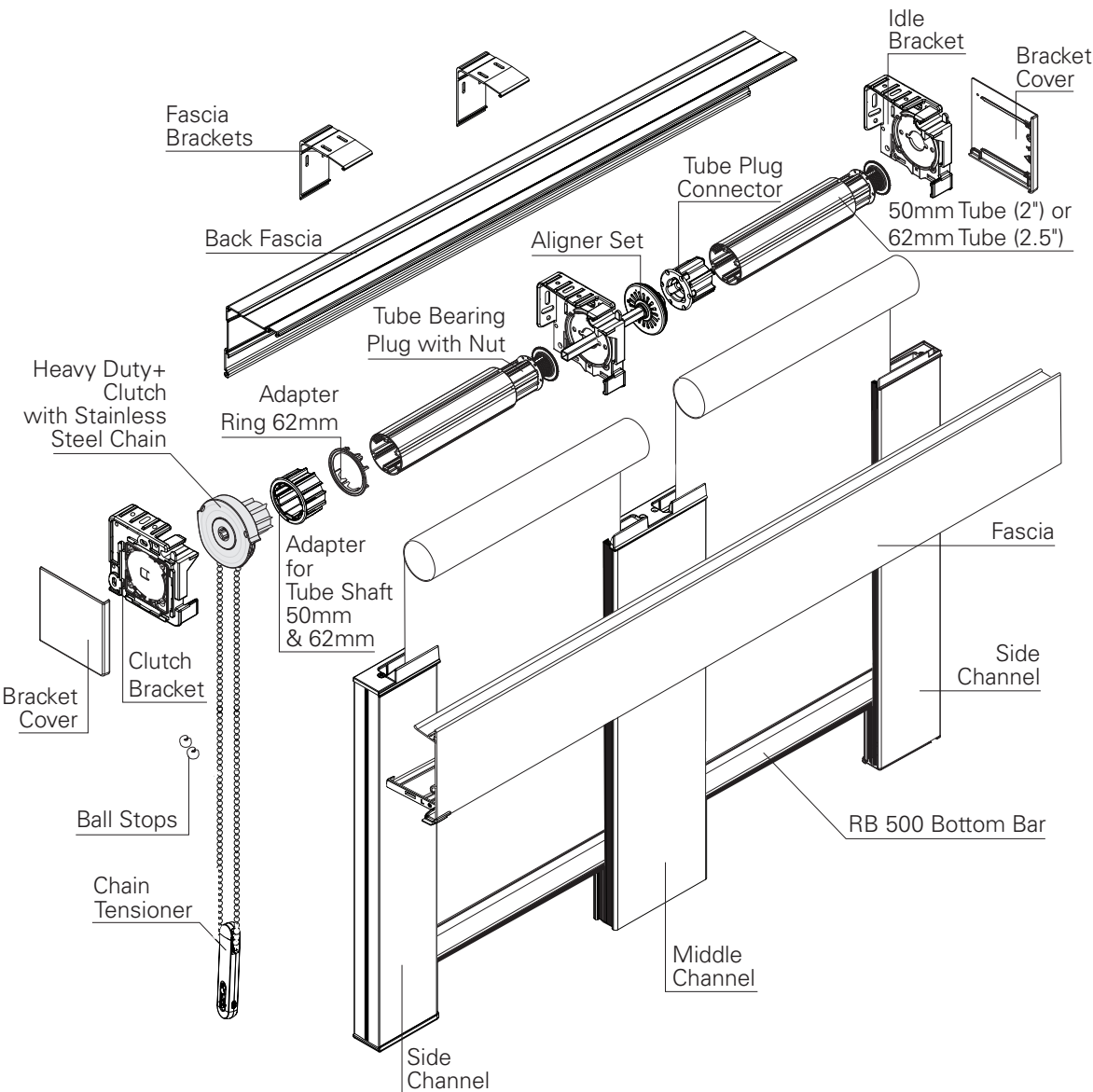
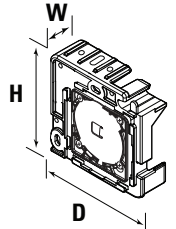
Clutch Color: Grey

Bracket Color: Grey

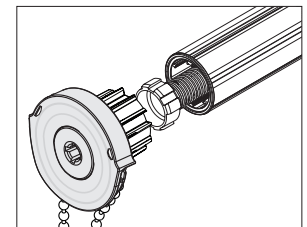
Bracket Cover Colors: Black, Grey, & White

Hembar: Determined by fabric

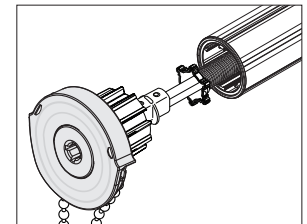
Bracket	Dimensions	Max Roll Up
4" Fascia	4" H x 1" W x 4" D	3-3/4" (3.75")



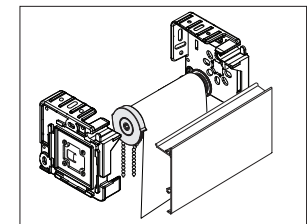
OPTIONS



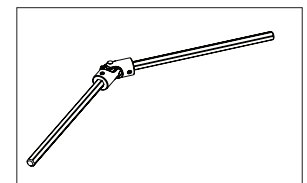
Spring Assist



Counter Balance System



Reverse Roll Fascia



45° Joint