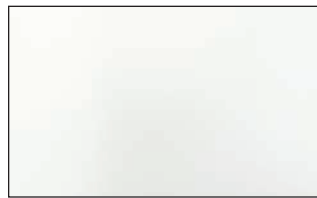
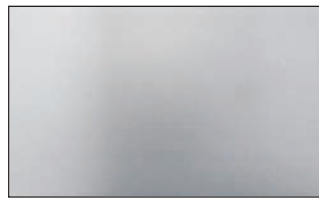


RB 500+ Roller Shade System

Pocket Color & Design Options



WHITE

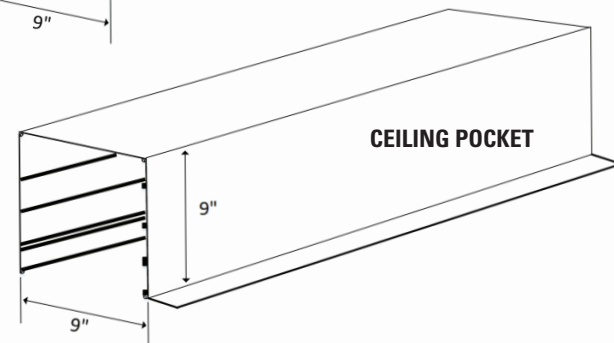
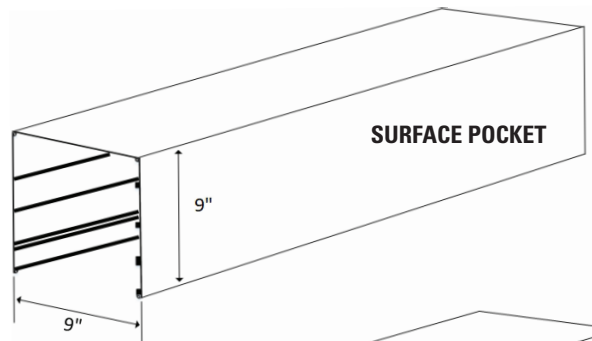
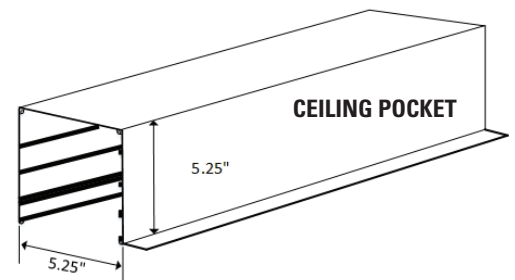
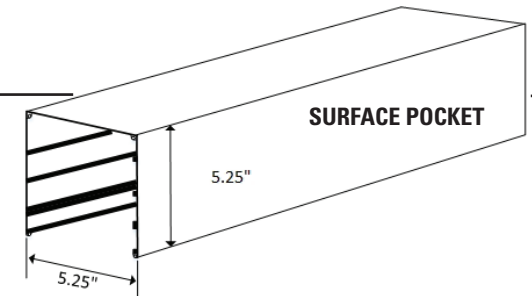


ANODIZED ALUMINUM

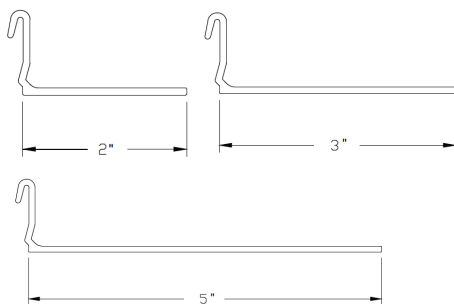
Note: Color and finish images are for illustration only. For accurate specification, please request product samples

Design Options:

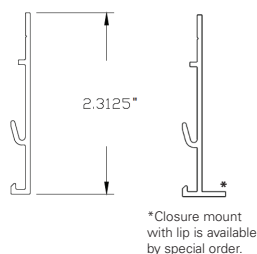
- Available on manual, automated and dual roller shade systems
- Offered in 5.25" and 9" standard profiles
- 2" and 3" closures are available for the 5.25" pocket
- 2", 3", and 5" closures are available for the 9" pocket
- Ceiling pockets are made for recessed applications and contain a tile lip (lip projects 7/8")
- Surface pockets are available for recessed and non-recessed applications



CLOSURES



CLOSURE MOUNT



*Closure mount with lip is available by special order.