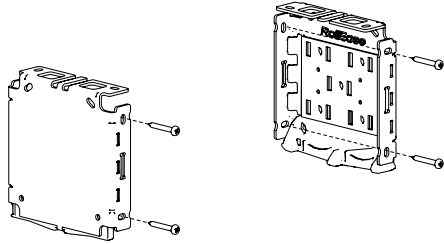


INSTALLATION INSTRUCTIONS RB BASICS ROLLERS SHADES  
5" FASCIA - SKYLINE CLUTCH | DUAL

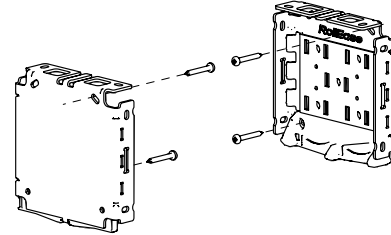
**Important:** Make sure the mounting surface is level. Brackets must be in line and level for shade to operate properly. Shim brackets if necessary.

1. Install the Brackets

Outside Mount (OB)



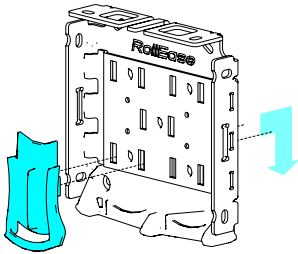
Inside Mount (IB)



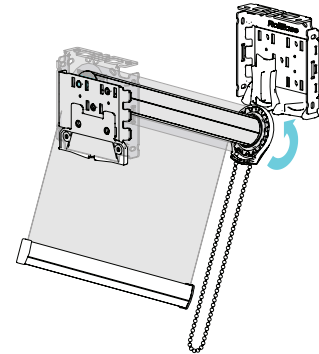
**Inside Mount (IB),** Install each bracket with two screws either through the side or up through the top. Make sure all brackets are leveled and aligned.

**Outside Mount (OB),** Secure each bracket with two screws. Make sure all brackets are level. Minimum 1 1/4" mounting surface height requirement.

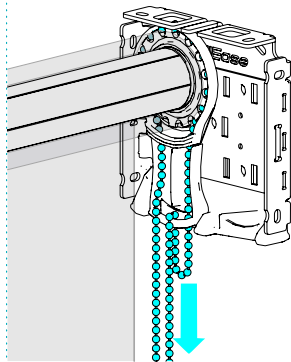
2. Install the Shade



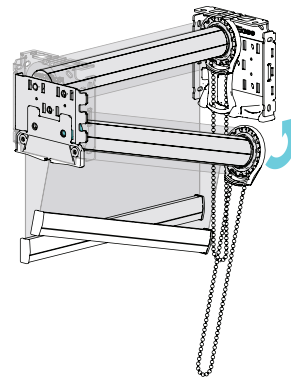
**Attach Chain Diverter,** Push hooks through the bracket and pull down.



**Attach Top Roller Assembly Pin First,** Place the spring loaded pin end into the round hole of the bracket. Once the 2 hooks are through the slots, gently pull down on the clutch until the hooks have locked securely to the bracket. The bottom of the clutch should point straight down.



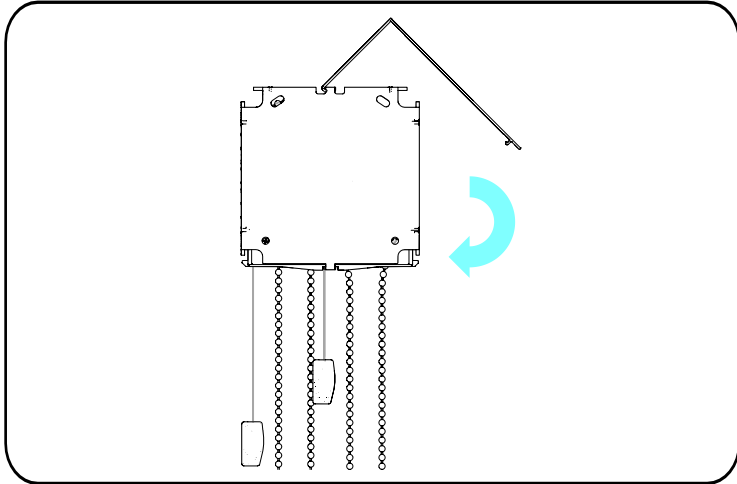
**Pull Chain Through Diverter,** Drop a loop of chain through the diverter and pull all of the chain through.



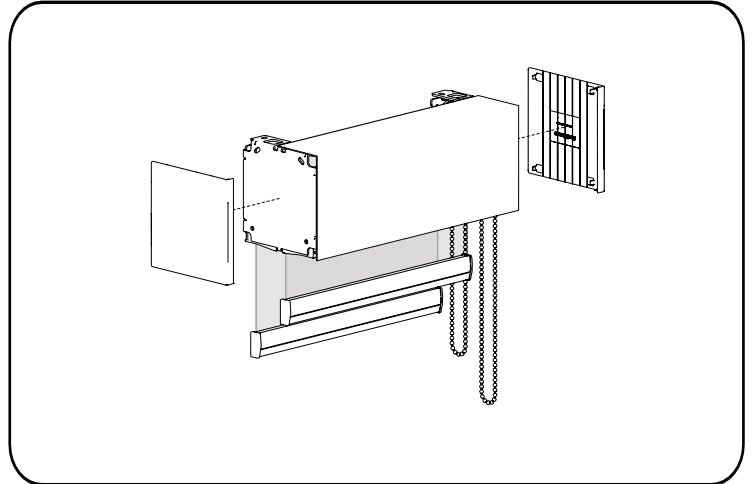
**Attach Bottom Roller Assembly Pin First,** Place the spring loaded pin end into the round hole of the bracket. Once the 2 hooks are through the slots, gently pull down on the clutch until the hooks have locked securely to the bracket. The bottom of the clutch should point straight down.

# INSTALLATION INSTRUCTIONS

## 3. Install the Fascia



**Attach the Fascia Panels,** Flip the fascia so that the short side will mount to the top of the bracket. Align the hook to the bracket and rotate down over the face of the bracket system. Snap into locking position.



**Attach Bracket Covers,** Snap the bracket covers into the fascia bracket

## Child Safety

Young children can **STRANGLE** in cord loops and in the loop above the cord stop. They can also wrap cords around their necks and **STRANGLE**.

- Always keep cords out of children's reach.
- Move cribs, playpens and other furniture away from cords.  
Children can climb furniture to get to cords.
- Do not tie cords together.
- Make sure cords do not twist together and create a loop.

<b>WARNING/ADVERTENCIA</b>	
5.1.3	Rev. 5/18 Print 5/18
	Window Blind Cord Can <b>STRANGLE</b> Your Child. To prevent strangulation, purchase cordless products or products with inaccessible cords.
	La cuerda de la persiana puede <b>ESTRANGULAR</b> a su niño. Para evitar el estrangulamiento, compre alternativas cuerda o productos con cuerdas inaccesibles.