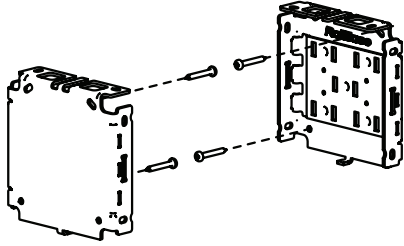


INSTALLATION INSTRUCTIONS RB BASICS ROLLERS SHADES
5" FASCIA - AUTOMATED ROLLER | DUAL

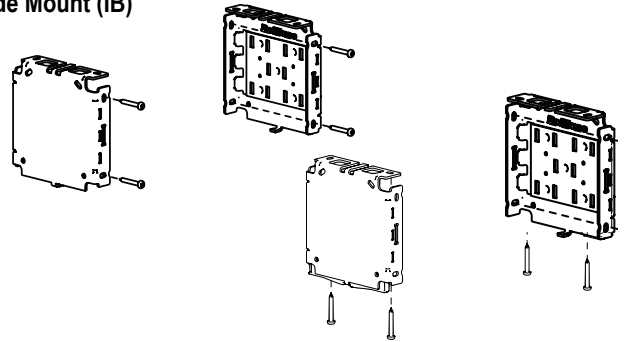
Important: Make sure the mounting surface is level. Brackets must be in line and level for shade to operate properly. Shim brackets if necessary.

1. Install the Brackets

Outside Mount (OB)



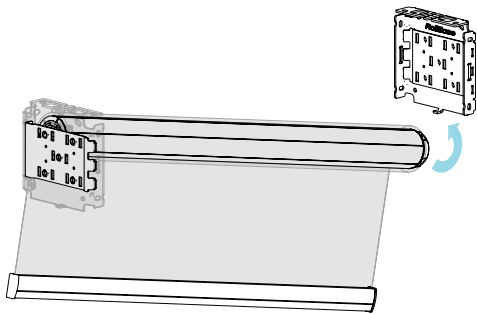
Inside Mount (IB)



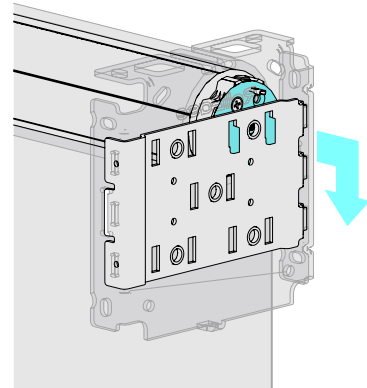
Inside Mount (IB), Install each bracket with two screws either through the side or up through the top. Make sure all brackets are leveled and aligned.

Outside Mount (OB), Secure each bracket with two screws. Make sure all brackets are level. Minimum 1 1/4" mounting surface height requirement.

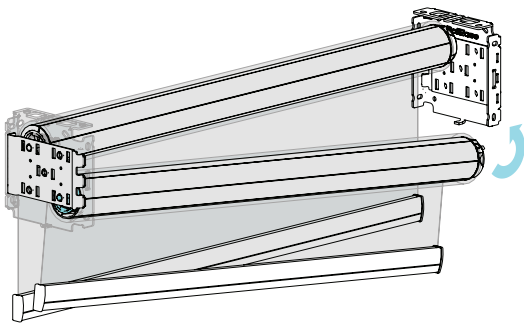
2. Install the Shade



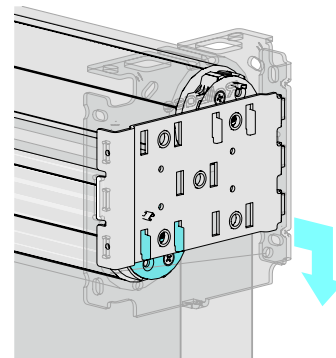
Attach Top Roller Assembly Pin First, Place the spring loaded pin end into the round hole of the bracket.



Attach Motor to Insert Plate, Once the 2 hooks are through the slots, gently pull down on the motor end of the tube until the hooks have locked securely to the bracket.



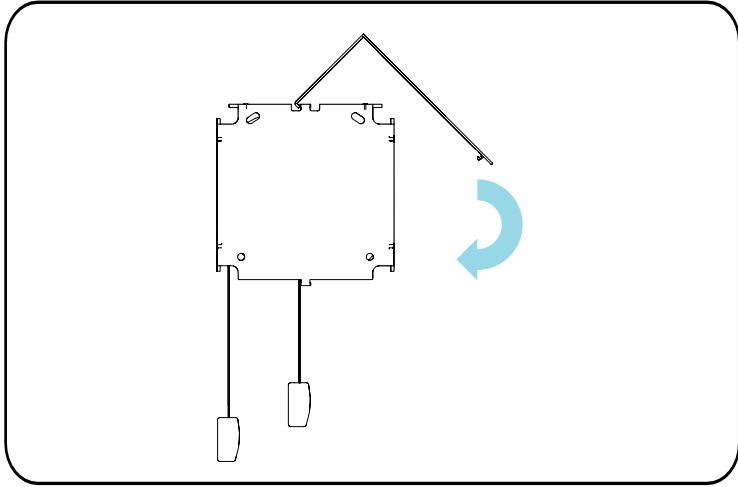
Attach Bottom Roller Assembly Pin End First, Place the spring loaded pin end into the round hole of the bracket.



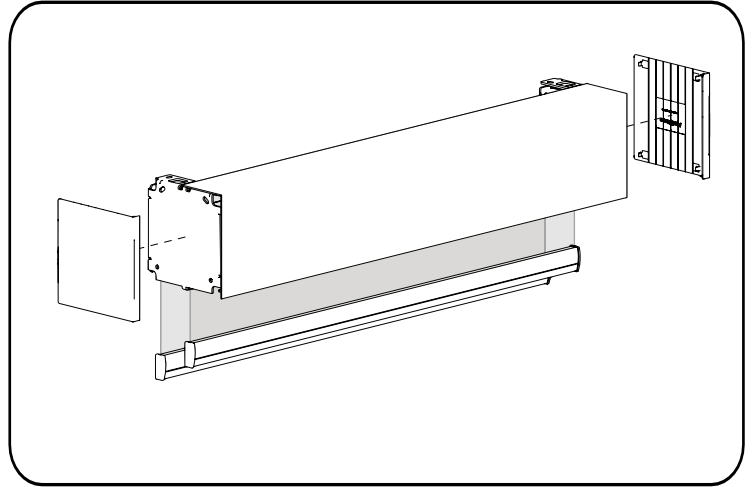
Attach the Hooks in Place, Push the hooks through the bracket and pull down.

INSTALLATION INSTRUCTIONS

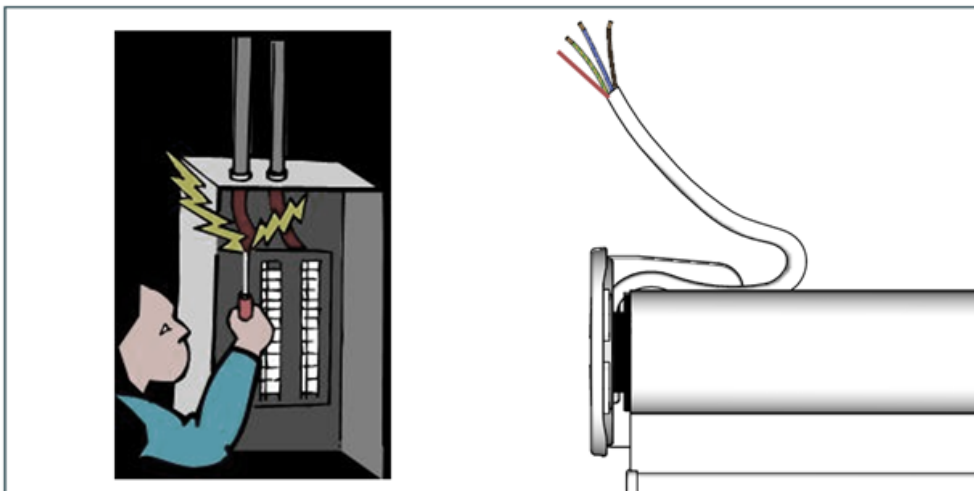
3. Install the Fascia



Attach the Fascia Panels, Flip the fascia so that the short side will mount to the top of the bracket. Align the hook to the bracket and rotate down over the face of the bracket system. Snap into locking position.



Attach Bracket Covers, Snap the bracket covers into the fascia bracket



Connect the motor and all controls in accordance with all safety standards.