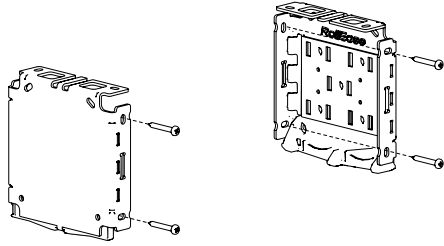


INSTALLATION INSTRUCTIONS RB BASICS ROLLERS SHADES
5" MANUAL ROLLER SHADE | SINGLE

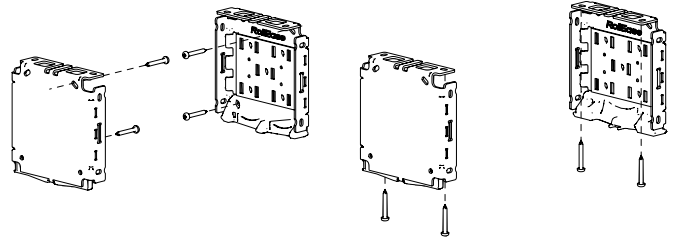
Important: Make sure the mounting surface is level. Brackets must be in line and level for shade to operate properly. Shim brackets if necessary.

1. Install the Brackets

Outside Mount (OB)



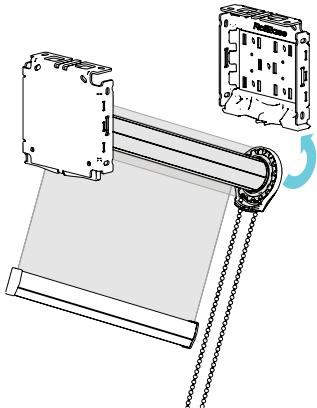
Inside Mount (IB)



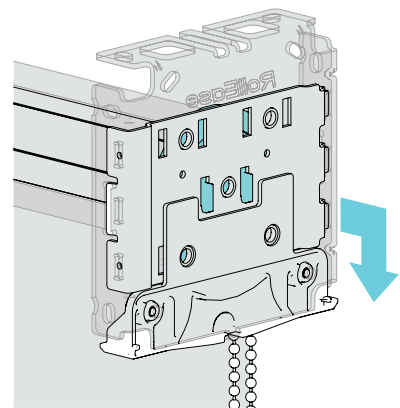
Inside Mount (IB), Install each bracket with two screws either through the side or up through the top. Make sure all brackets are leveled and aligned.

Outside Mount (OB), Secure each bracket with two screws. Make sure all brackets are level. Minimum 1 1/4" mounting surface height requirement.

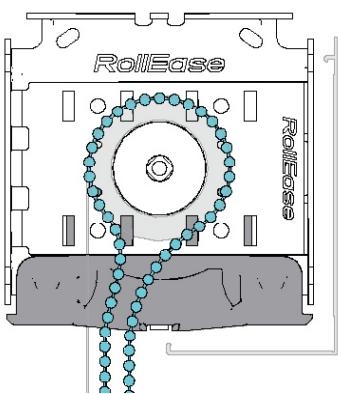
2. Install the Shade



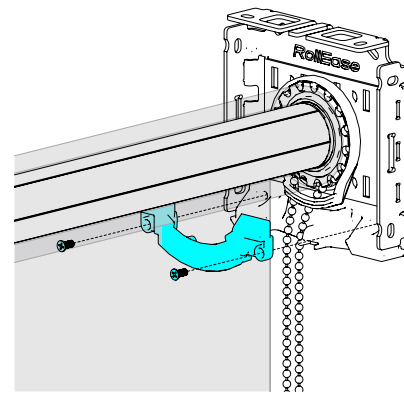
Attach Top Roller Assembly Pin First, Place the spring loaded pin end into the round hole of the bracket.



Attach Clutch to Insert Plate, Once the 2 hooks are through the slots, gently pull down on the clutch until the hooks have locked securely to the bracket. The bottom of the clutch should point straight down.

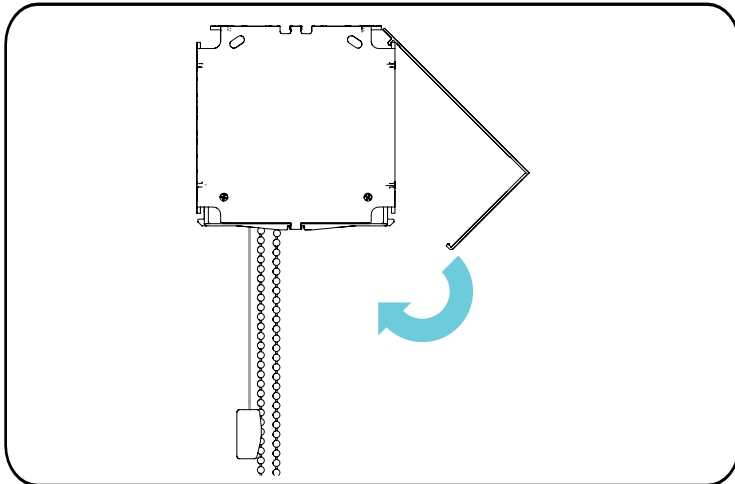


Align Chain Through Diverter, Move the chain toward the back through the diverter to allow fascia to attach.

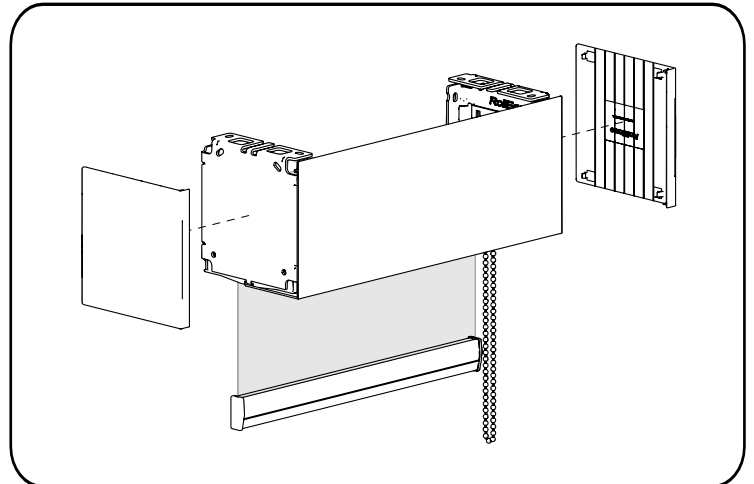


Attach the Chain Cover (Not required for SL30), Snap and screw the chain cover into place onto the chain diverter.

3. Install the Fascia



Attach the Fascia Panels, First, position the fascia top ridge into the front top channel of the bracket. Rotate the bottom front of the fascia downwards until the bottom rear of the fascia snaps in the bracket.



Attach Bracket Covers, Snap the bracket covers into the fascia bracket

Child Safety

Young children can **STRANGLE** in cord loops and in the loop above the cord stop. They can also wrap cords around their necks and **STRANGLE**.

- Always keep cords out of children's reach.
- Move cribs, playpens and other furniture away from cords.
Children can climb furniture to get to cords.
- Do not tie cords together.
- Make sure cords do not twist together and create a loop.

WARNING/ADVERTENCIA	
5.1.3	Rev. 5/18 Print 5/18
	<p>Window Blind Cord Can STRANGLE Your Child. To prevent strangulation, purchase cordless products or products with inaccessible cords.</p> <p>La cuerda de la persiana puede ESTRANGULAR a su niño. Para evitar el estrangulamiento, compre alternativas cuerda o productos con cuerdas inaccesibles.</p>