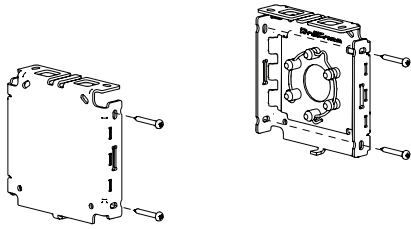


INSTALLATION INSTRUCTIONS RB BASICS ROLLERS SHADES
5" FASCIA - AUTOMATED ROLLER | SINGLE

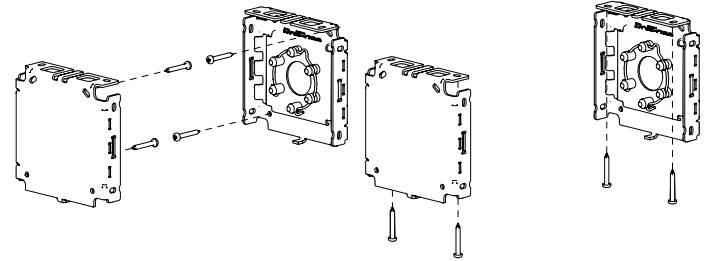
Important: Make sure the mounting surface is level. Brackets must be in line and level for shade to operate properly. Shim brackets if necessary.

1. Install the Brackets

Outside Mount (OB)



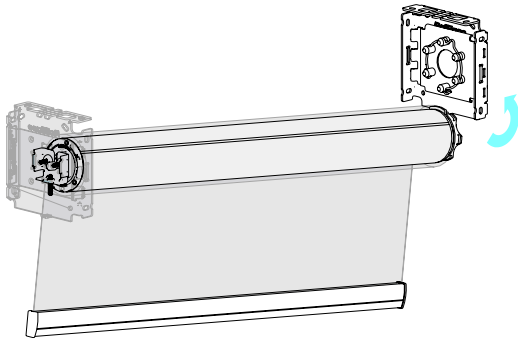
Inside Mount (IB)



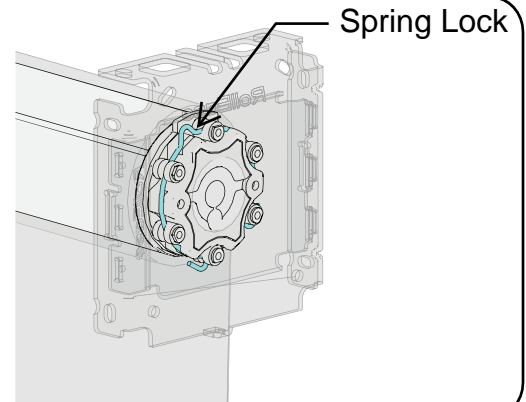
Inside Mount (IB), Install each bracket with two screws either through the side or up through the top. Make sure all brackets are leveled and aligned.

Outside Mount (OB), Secure each bracket with two screws. Make sure all brackets are level. Minimum 1 1/4" mounting surface height requirement.

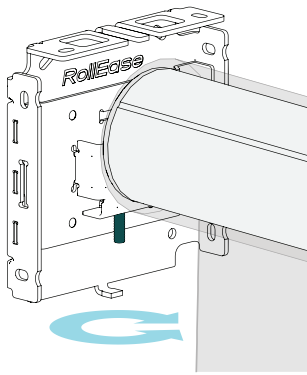
2. Install the Shade



Attach Top Roller Assembly Pin First, Place the spring loaded pin end into the round hole of the bracket.

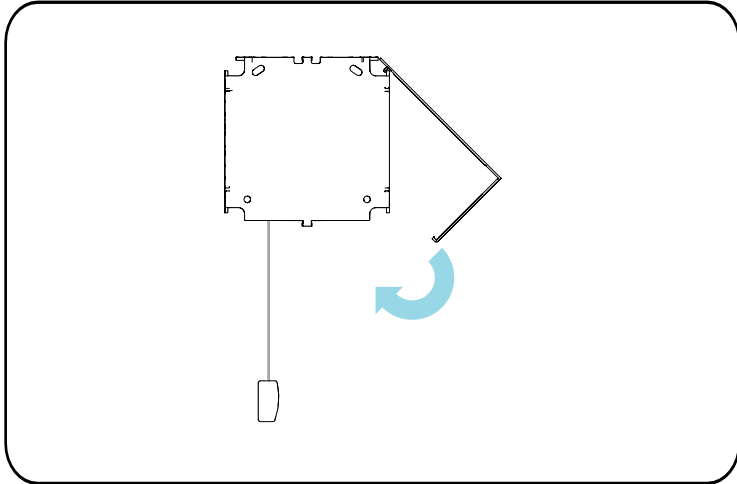


Attach Motor to Insert Plate, Keep the spring lock on the motor, align and press the motor into the motor plate on the bracket until the spring lock snaps into place.

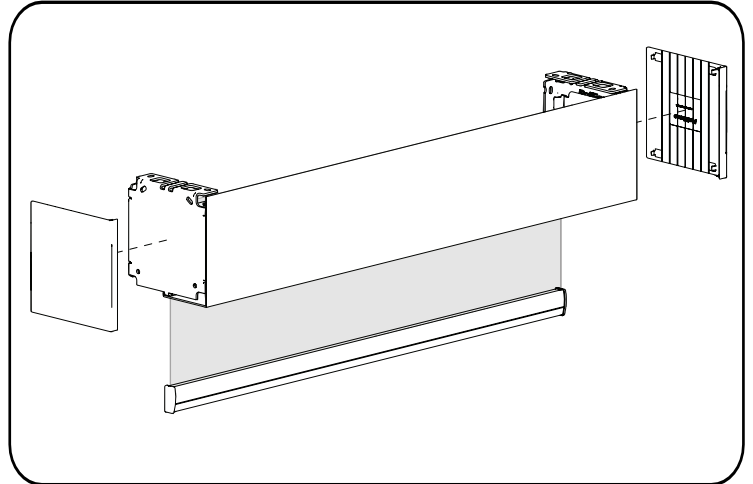


Turn Screw to Adjust Shade Level, Raise or lower the idle end of the shade to adjust the shade level by turning the adjustment screw clockwise or counterclockwise.

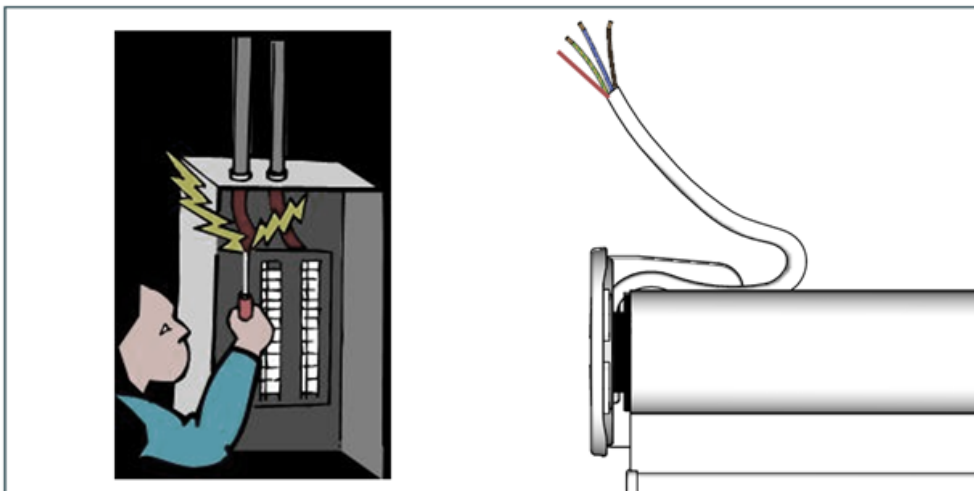
3. Install the Fascia



Attach the Fascia Panels, First, position the fascia top ridge into the front top channel of the bracket. Rotate the bottom front of the fascia downwards until the bottom rear of the fascia snaps in the bracket.



Attach Bracket Covers, Snap the bracket covers into the fascia bracket



Connect the motor and all controls in accordance with all safety standards.