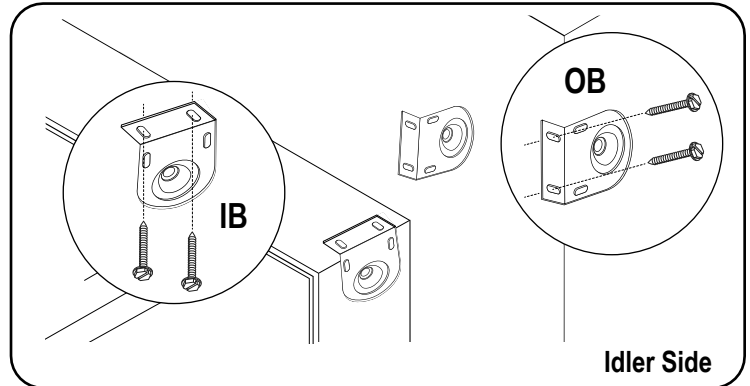
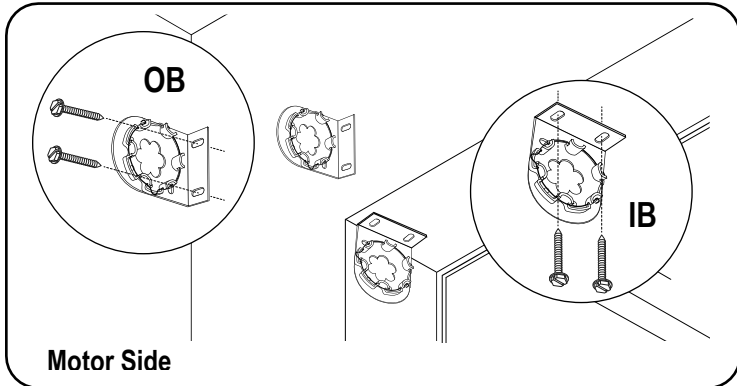


INSTALLATION INSTRUCTIONS RB BASICS ROLLERS SHADES  
**AUTOMATED ROLLER SHADE | SINGLE**

**Important:** Make sure the mounting surface is level. Brackets must be in line and level for shade to operate properly. Shim brackets if necessary.

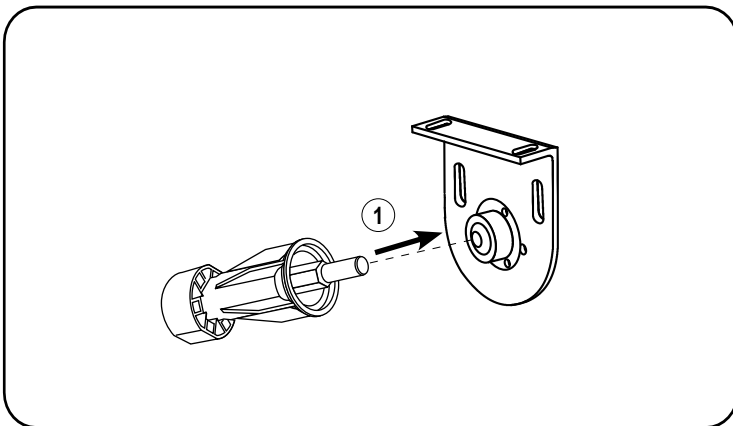
**1. Install the Brackets**



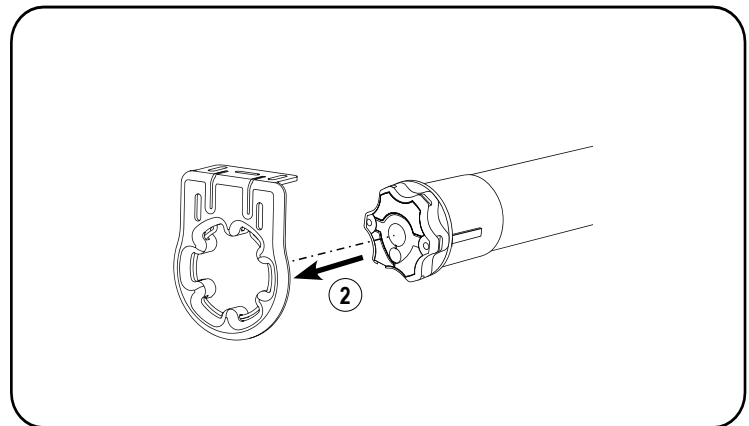
**Inside Mount (IB),** Install each bracket with two screws either through the side or up through the top. Make sure all brackets are leveled and aligned.

**Outside Mount (OB),** Secure each bracket with two screws. Make sure all brackets are level. Minimum 1 1/4" mounting surface height requirement.

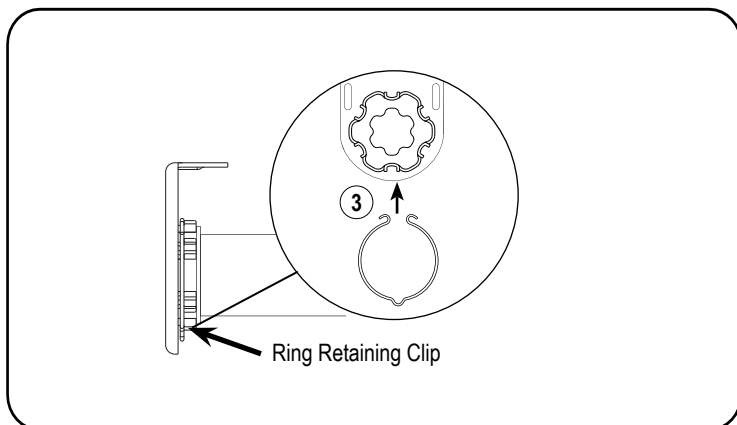
**2. Install the Shade**



**Attach the Pin End First,** Place the spring loaded pin end into the round hole of the bracket.

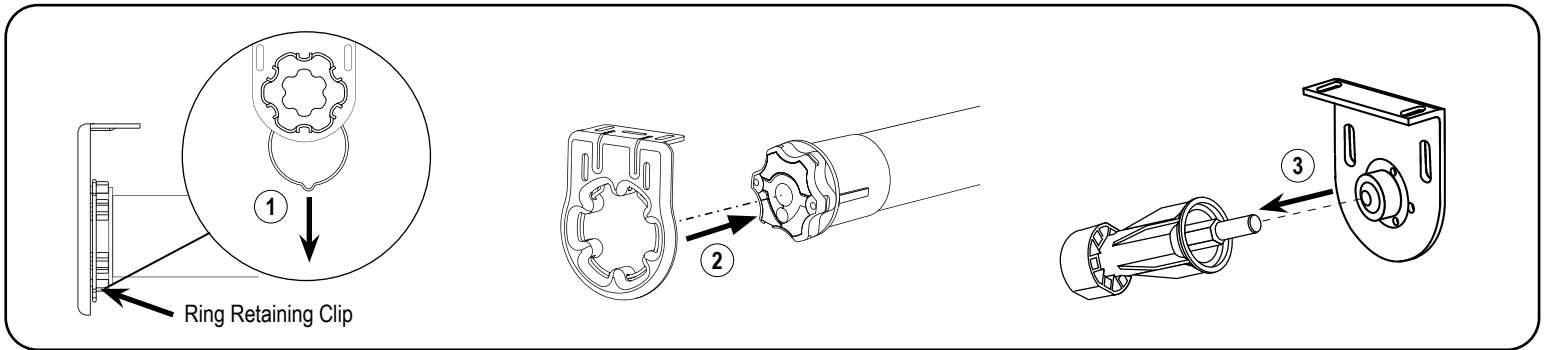


**Attach Motor to Bracket,** Align and press the motor into the motor plate on the bracket until the spring lock snaps into place.

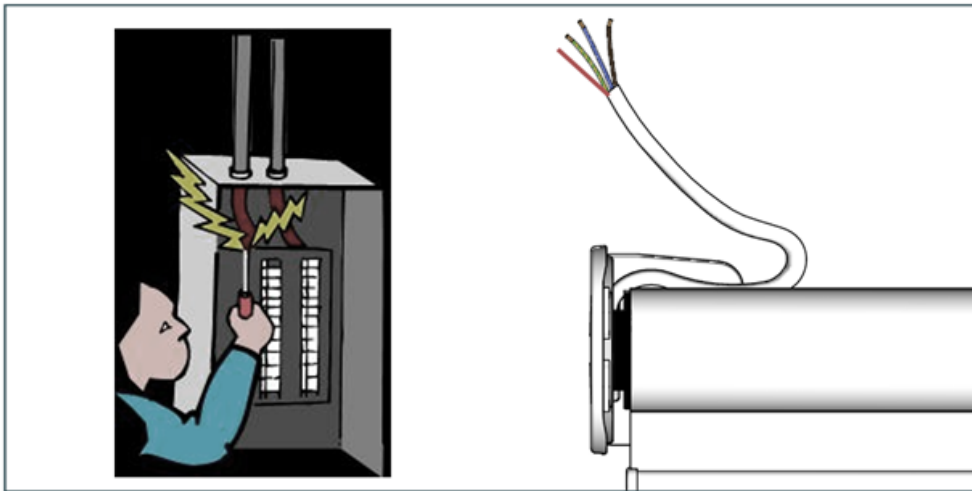


**Align Chain Through Diverter,** Move the chain toward the glass through the diverter to allow fascia to attach.

## 4. Removing the Shade



First, raise the shade. Remove the ring retaining clip in place from the motor. Then, slide the roll towards the spring loaded pin end until the motor head is completely out of the motor head slots. Lastly, remove the spring loaded pin end from the Idler bracket.



Connect the motor and all controls in accordance with all safety standards.