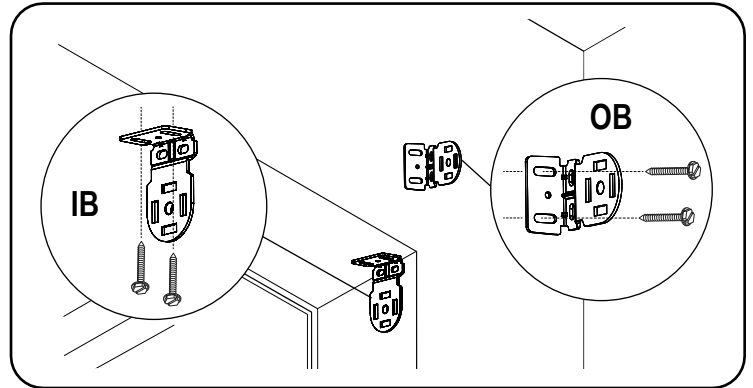
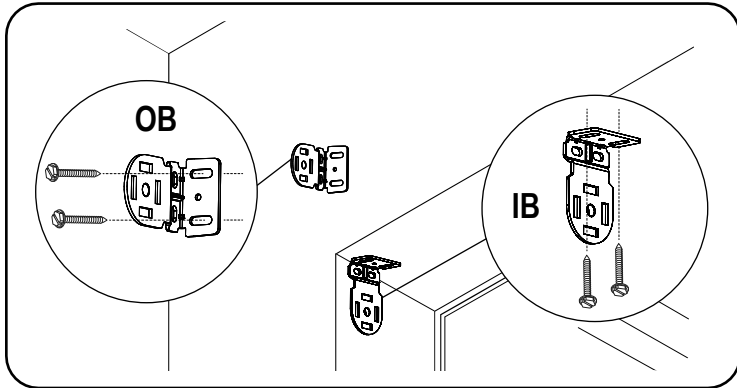


INSTALLATION INSTRUCTIONS RB BASICS ROLLERS SHADES
MANUAL ROLLER SHADE | SINGLE

Important: Make sure the mounting surface is level. Brackets must be in line and level for shade to operate properly. Shim brackets if necessary.

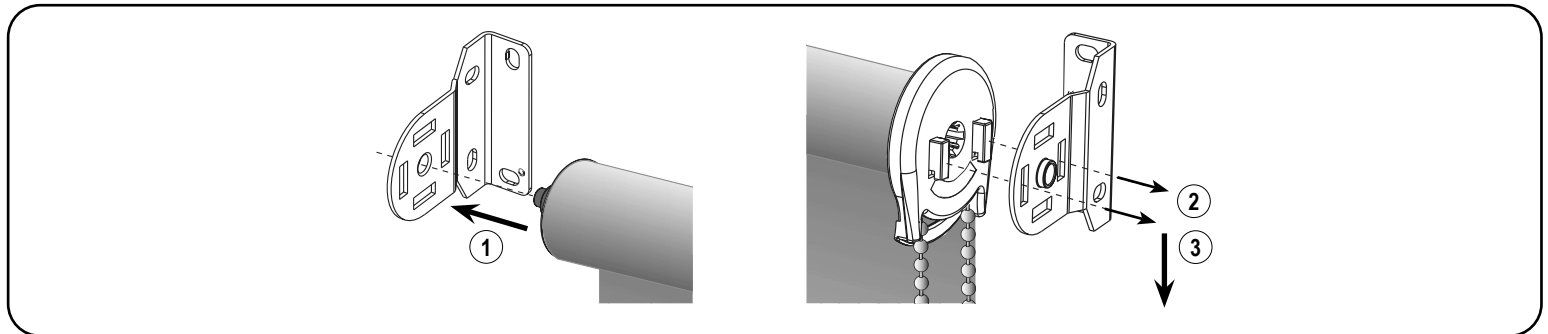
1. Install the Brackets



Inside Mount (IB), Install each bracket with two screws either through the side or up through the top. Make sure all brackets are leveled and aligned.

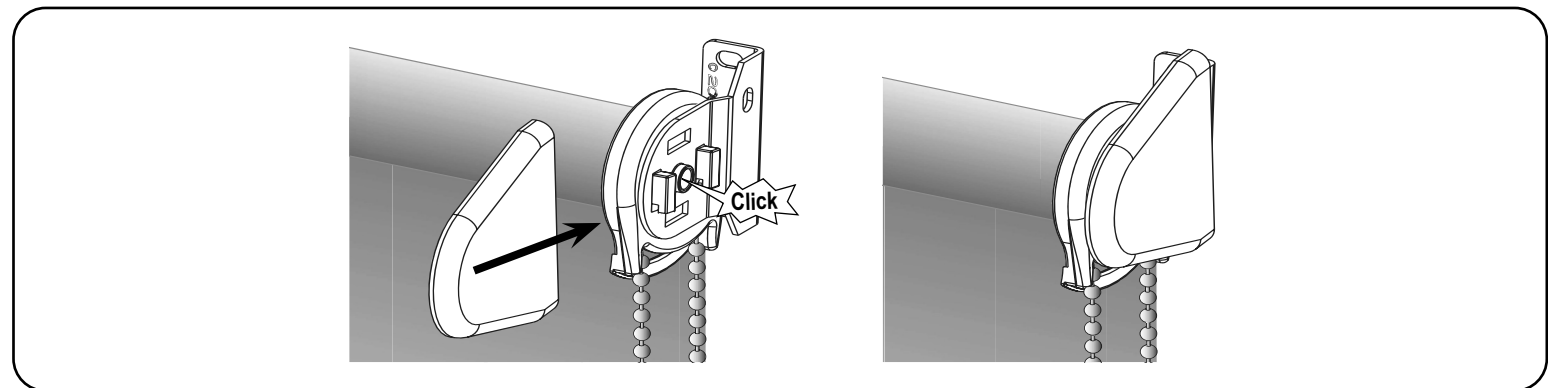
Outside Mount (OB), Secure each bracket with two screws. Make sure all brackets are level. Minimum 1 1/4" mounting surface height requirement.

2. Install the Shade

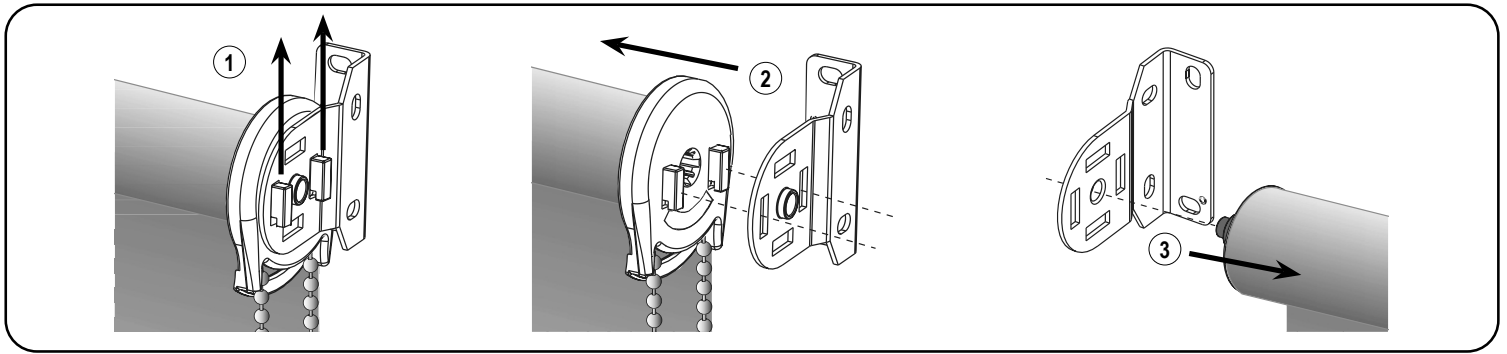


First, place the spring loaded pin end into the round hole of the bracket. Then, keeping the pin end secure in its bracket, insert the hooks on the clutch straight into the two slots in the bracket. Once the two hooks are through the slots, gently pull downward on the side with hooks until the hooks have locked securely to the bracket. The bottom of the clutch should point straight down.

3. Install the End Caps (Open Roll Tubes 1 1/8" to 2 1/2")



4. Removing the Shade



First, raise the shade. Gently lift up the control unit (hooks end) to disengage, until the hooks touch the top part of the bracket slot. Then, slide the roll towards the spring loaded pin end until the hooks are completely out of the bracket slots. Lastly, remove the spring loaded pin end from the Idler bracket.

Child Safety

Young children can **STRANGLE** in cord loops and in the loop above the cord stop. They can also wrap cords around their necks and **STRANGLE**.

- Always keep cords out of children's reach.
- Move cribs, playpens and other furniture away from cords. Children can climb furniture to get to cords.
- Do not tie cords together.
- Make sure cords do not twist together and create a loop.

WARNING/ADVERTENCIA	
<small>5.1.3</small>	<small>Rev. 5/18 Print 5/18</small>
	Window Blind Cord Can STRANGLE Your Child. To prevent strangulation, purchase cordless products or products with inaccessible cords.
	La cuerda de la persiana puede ESTRANGULAR a su niño. Para evitar el estrangulamiento, compre alternativas cuerda o productos con cuerdas inaccesibles.