

RB 500+ Standard Duty Design Options

3" Fascia

Mount: Face, Wall, or Ceiling

Max Shade Width: 80"

Max Roll Up: 2-3/4"

Light Gap:

Clutch Side - 7/8"

Idle Side - 5/8"

Bracket Color: Grey

Bracket Cover Colors:

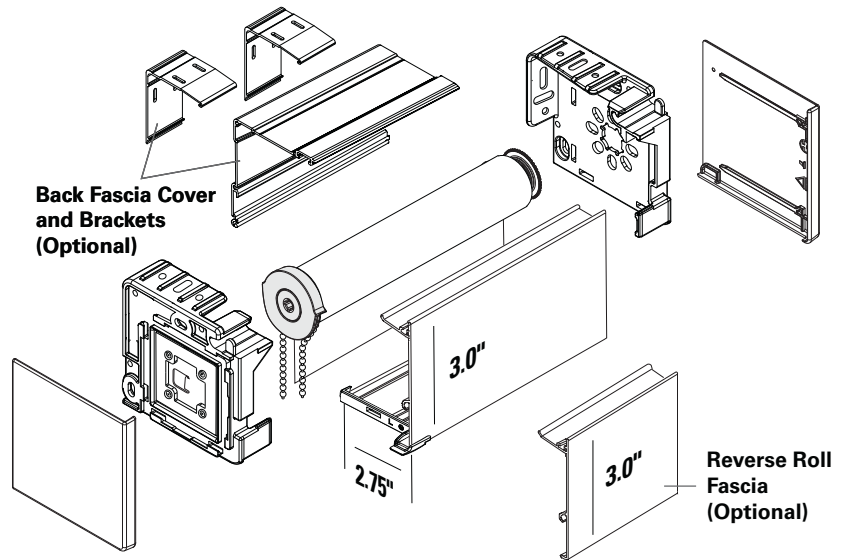
Black, Grey, & White

Fascia Colors: Aluminum, Black, Bronze, Vanilla, & White

Options:

Back Fascia Cover with Brackets,

Reverse Roll Fascia



5.25" Single and Dual Pocket

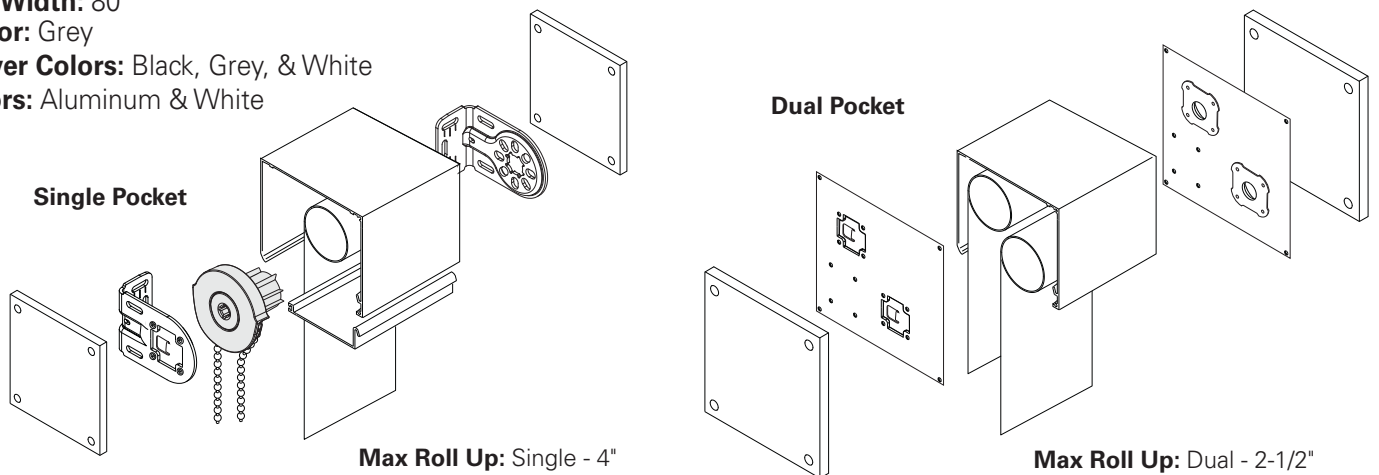
Mount: Surface

Max Shade Width: 80"

Bracket Color: Grey

Bracket Cover Colors: Black, Grey, & White

Pocket Colors: Aluminum & White



Blockout System

- 3" or 4" Fascia with Back Cover and Wool Pile or Pocket with Bottom Closure,
- 2-1/2" Side Channels with Wool Pile
- 4-1/4" Middle Channel with Wool Pile
- RB 500 Bottom Bar with Wool Pile

