

Riviera Contract 1 Inch Blind Model #RIV1C

Competitively positioned 1 inch horizontal aluminum window covering for commercial applications.



Key Features

Permanent Paint Process

Headrail: 1 inch high x $1\frac{9}{16}$ inch wide

Nominal .006 inch slat thickness

21.5mm ladder spacing

Guardian Tilter disengaging clutch mechanism

Limited lifetime warranty

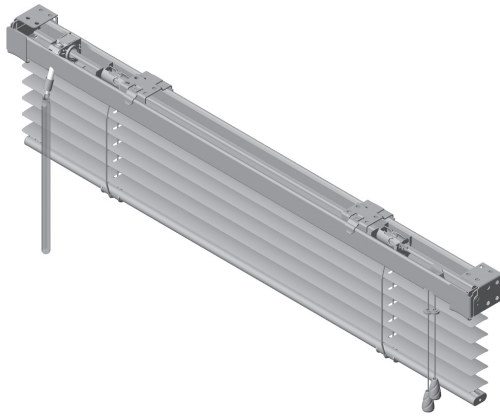
Product Overview

The Riviera Contract 1 Inch Blind represents Levolor's quality horizontal blind backed by the lifetime warranty. Committed to both durability and aesthetics, the Riviera Contract 1 Inch Blind combines the highest quality components with visibly attractive features to provide an overall superior product.

The durable and sleek headrail is made of roll-formed corrosion-resistant painted steel. The strength of the overall headrail profile provides smooth operation, even under heavy loads associated with large window applications. The steel hardware is machine-clinched, ensuring accurate alignment of moving parts and long, maintenance-free operation.

The 6 gauge thick slats are made of 5000 series magnesium aluminum alloy and provides overall strength and resiliency, guaranteeing a quality look for the life of the blind. The Riviera Contract 1 Inch Blind's 21.5 mm ladder spacing ensures tight closure and optimum light control. The exclusive Guardian Tilter disengaging clutch mechanism eliminates over rotation of the tilt wand and protects the tilt mechanism against breakage.

The Riviera Contract 1 Inch Blind is offered in a large selection of popular colors. Options include the Top Lok Cord Lock, which holds the blind completely up or down for a consistent look across all windows.



Product Specifications

For more detailed specifications please reference Riviera Contract 1 Inch Blind product Guide Specifications.

Products

A. Riviera Contract 1 Inch Blind manufactured by LEVOLOR Commercial.

B. Lifetime Limited Warranty

C. Materials:

Headrail shall be of .025 inch thick painted steel, "U" shaped, 1 inch high x $1\frac{9}{16}$ inches wide. All hardware shall be enclosed in the steel headrail.

Guardian Tilter shall be not less than .042 inch thick Tomized steel housing with a self-lubricating nylon, automatically disengaging worm and gear mechanism to eliminate overdrive.

Installation Brackets shall be of at least .048 inches thick painted steel with a rivet-hinged safety locking front cover to permit removal of headrail without lateral movement.

Ladders (slat supports): Distance between slats shall not exceed 21.5mm.

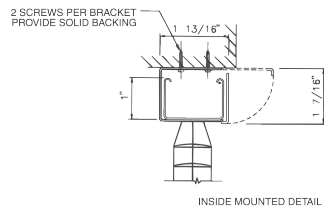
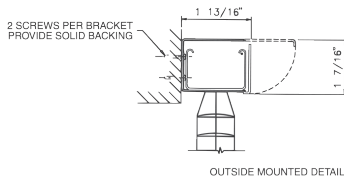
Slats shall be of 5000 series magnesium aluminum alloy only. Slats shall be nominally 1 inch wide and the thickness of the slats shall be 6 gauge.

Coating includes permanent, a patented paint process which disrupts the natural static attraction of airborne dust particles.

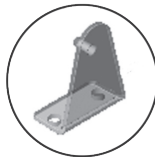
Bottomrail shall be of .023 inch thick painted steel.

Options shall include:

- | | |
|------------------------------------|--------------------------------------|
| a. Cutouts | g. Projection Brackets |
| b. Extension Brackets | h. Ring Pull |
| c. Hold Down Brackets | i. Telescopic or Non-Telescopic Pole |
| d. Multi-Colored Striping | j. Top Lok Cord Lock |
| e. Multiple Blinds on One Headrail | k. Universal Ring Tilter |
| f. Pivot Plates | l. 2 Slat Framed Vogue Valance |



Open End Bracket



Hold-down Bracket