

Silhouette® FR Window Shadings



A category-defining combination of appearance and functionality, Hunter Douglas **Silhouette® FR Window Shadings** can be raised and lowered (like standard roller shades) and tilted open or closed (like horizontal blinds). Vanes can be tilted to block light and provide privacy, and the shades roll up completely into a slim headrail, allowing unobstructed views.

KEY FEATURES

- GREENGUARD Gold certified for low-emitting products
- Fabrics meet all requirements of NFPA 701 small scale flammability testing for commercial applications
- Up to 88% ultraviolet protection with vanes open and 99% with vanes closed
- Motorization available
- Lifetime Guarantee



Originale™ Translucent Fabrics



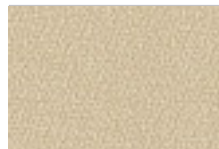
A14-125 Radiant White



A14-126 White Diamond

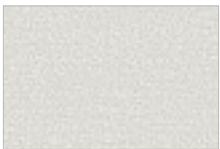


A14-127 Linen Flirt

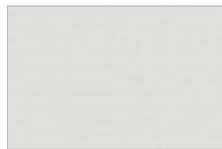


A14-107 Honey Beige

Bon Soir™ Light Dimming Fabrics

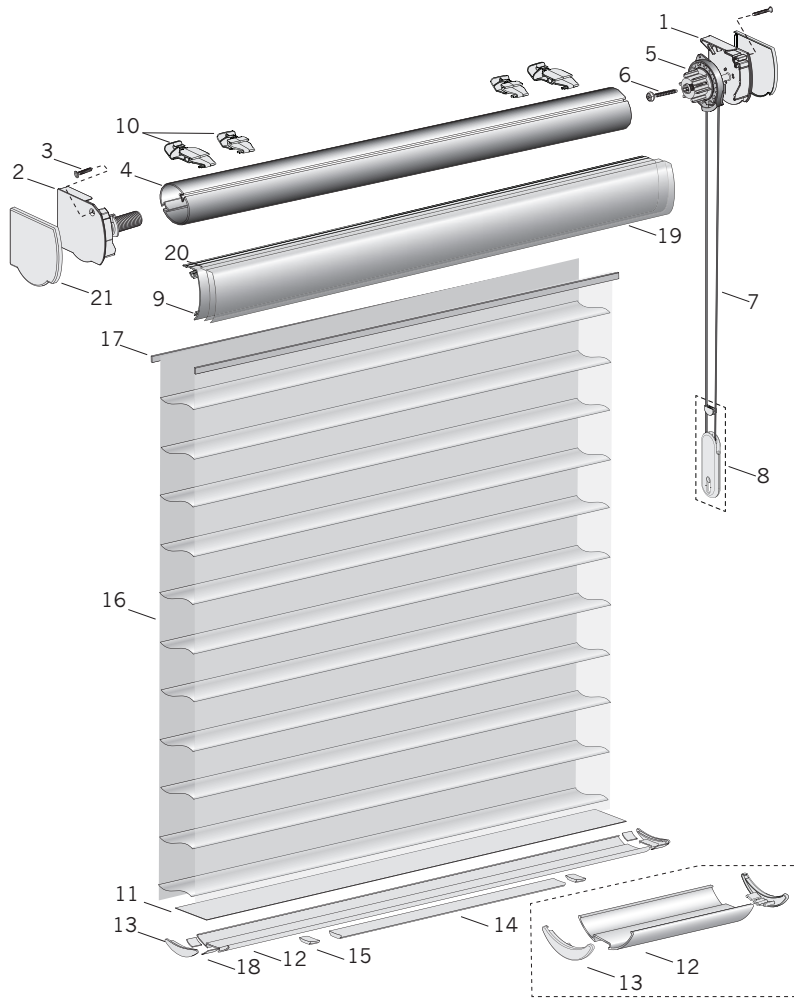


A21-195 Stardust



A21-137 Seclusion White

HunterDouglas 
Architectural



STANDARD PARTS

1. Headrail End Plate
2. Idler Assembly
3. Screw, FLH PHH #8-18 x 0.75"
4. Rotator Rail, 0.050 LW, Universal
5. RB Clutch ER
6. Screw (Clutch), #10 X 1 3/8" SHWH Zinc-Plated
7. Cord Loop
8. Universal Cord Tensioner
9. Headrail, Fabric Covered
10. SU Std. Top Limit
11. Bottom Slat
12. Bottom Rail
13. Bottom Rail End Caps
14. Balance Weight
15. Weight Clips
16. Fabric
17. Polystrip With Tape
18. SU Steel Insert Strip
19. FCH Fabric
20. Full Width Tape
21. Cover Set

Only Used On Chateau™ Fabric

PRODUCT SPECIFICATIONS

PART 2 – PRODUCTS

2.01 ACCEPTABLE MANUFACTURER

- A. Hunter Douglas Architectural / 13915 Danielson St., Ste.100/Poway, CA 92064 / Phone: 800-727-8953 / Fax: 800-205-9819 / Website: HDarchitectural.com or architect approved equivalent.
- B. Product substitutions must be approved by architect minimum of 30 days prior to close of bid.

2.01 COMMERCIAL WINDOW SHADINGS

- A. **PRODUCT:** Hunter Douglas "Silhouette® FR Window Shadings"
- B. **MATERIALS:**

1. **Fabric:** Flame-retardant treated 100% sheer white knit polyester fabric located on front and rear suspended between 100% woven polyester 3" fabric facings treated to resist dust, dirt, static, and stains. Finish selected by architect from manufacturer's available contract colors.
2. **HEAD/BOTTOM RAIL:** Standard headrail type measuring 3" x 2-9/32" x .0625" or 3-3/16" x 2 1/2" x .0625" thick constructed of aluminum alloy 6063 conceals shading when fully raised. Internally fit with components required for specified performance and designed for smooth, quiet, trouble-free operation. Bottom rail measuring 2" X 3/16" X .0625" thick constructed of aluminum alloy 6063. Finish to be standard polyester-based paint and to coordinate with fabric. Ends fitted with polycarbonate end caps measuring 2 13/16" X 2 9/32" color coordinated with fabric.

3. **LIFTING/ROTATION MECHANISM:** White polycarbonate spring tempered rotary clutch system raises, lowers and tilts shading when activating 1 1/2" tubular aluminum rotator rail. White polycarbonate limit assemblies control vane over-rotation. Color coordinated braided polyester 2.4mm diameter cord loop with tensioner to secure cord loop. Located on either side of individual shade unit as per architect's request.
4. **MOUNTING HARDWARE:** Manufacturer's standard white polycarbonate hidden brackets, provide a sleek, unobtrusive appearance.
5. **ADDITIONAL AVAILABLE OPTIONS:** Headrail Dust Cover, Back Cover, Oversized Rail, Motorization, Optional Cord Lengths, Hold Down Brackets.

2.02 FABRICATION

- A. Blind measurements shall be accurate to within + 1/8" or as recommended in writing by manufacturer.

2.04 FINISHES

- A. **FABRIC** finish to be duotone with neutral tone facing the exterior and color selection facing the interior. Color selection from the following: Originale™ translucent fabrics: A14-125 Radiant White, A14-126 White Diamond, A14-127 Linen Flirt, A14-107 Honey Beige. Bon Soir™ light dimming fabrics: A21-137 Seclusion White, A21-195 Stardust.