

RB 500+ Standard Duty 5.25" Dual Pocket

SPECIFICATIONS

Mount: Face, Wall or Ceiling

Tube Size: 37mm (1.5")

Shade Width: 12" - 80"

Lift Capacity: 8 lbs

Lift Capacity with Spring Assist: 11 lbs

Light gap: Clutch End—7/8" (.875)

Idle End—5/8" (.625)

Chain: Stainless Steel

Chain Breaking Strength: 110 lbs

Chain Tensioner Color: Black, Grey, & White

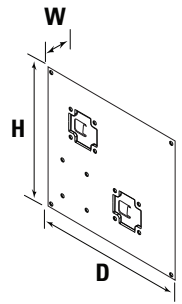
Clutch Color: Grey

Bracket Color: Grey or White

Bracket Cover Colors: Grey or White

Hembar: Determined by fabric

Bracket	Dimensions	Max Roll Up
5.25" Dual	5.25" H x .125" W x 5.25" D	2-1/2" (2.5")



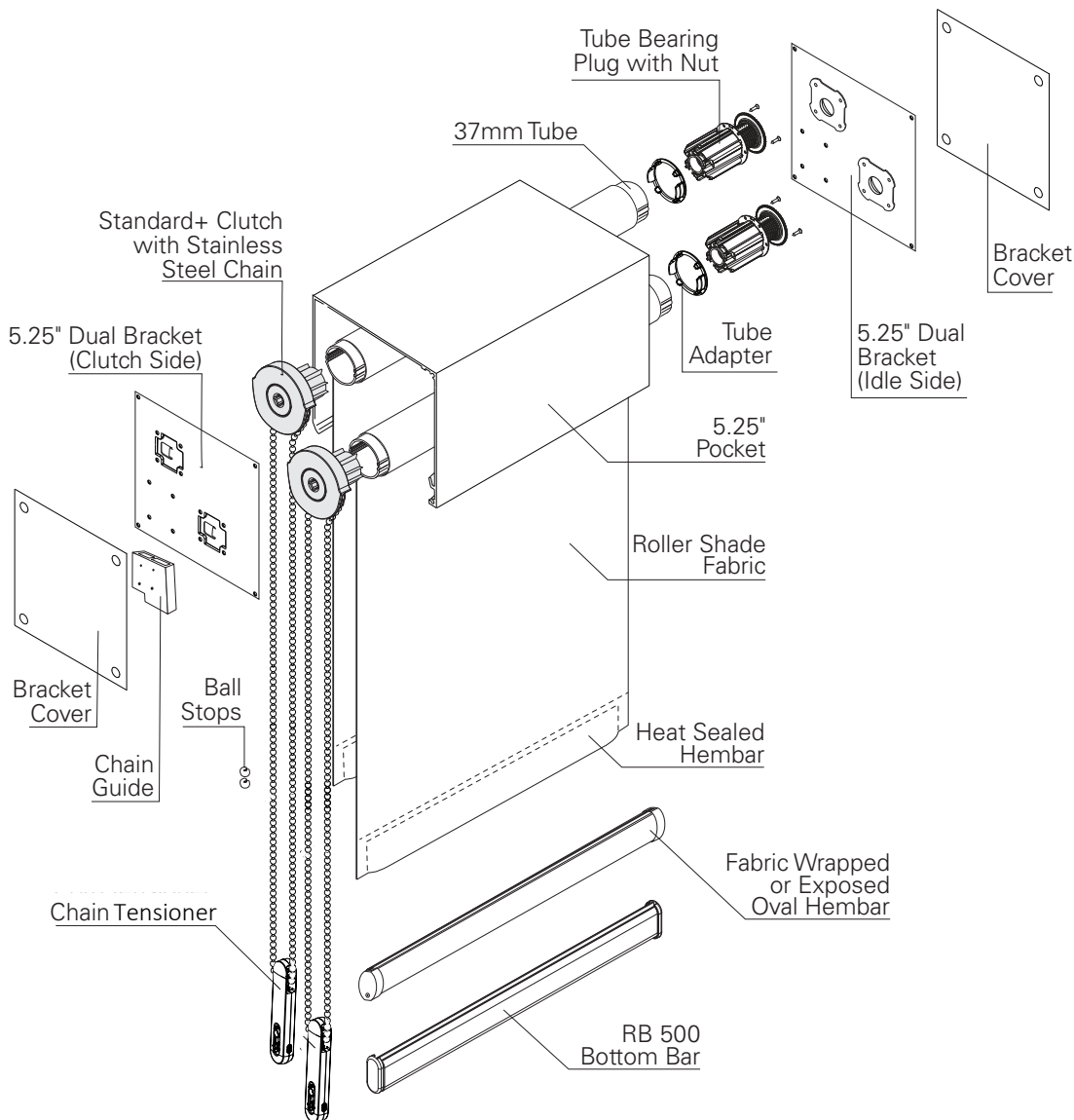
POCKET COLORS



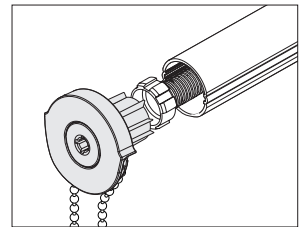
White



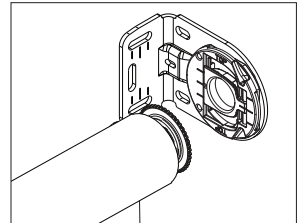
Aluminum



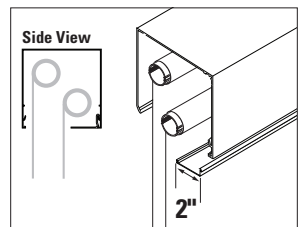
OPTIONS



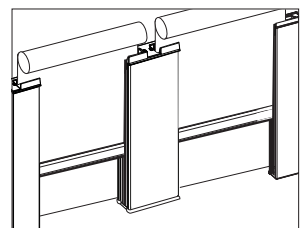
Spring Assist



Integrated Leveler



Bottom Closures



Side and Middle Channel