

# FR Vertical Blinds



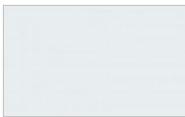
Our **FR Vertical Blinds** allow maximum coverage of large windows at a cost-effective price point. The durable vertical track features a carrier train system for a variety of applications.

## KEY FEATURES

- GREENGUARD Gold certified for low-emitting products
- Multiple decorative valance options available
- Energy Efficient
- Motorization & specialty shapes available
- Lifetime Guarantee
- Most materials meet all requirements of NFPA 701 small scale flammability testing for commercial applications (\*perforated PVC is not Fire Retardant and does not meet NFPA 701 requirements)



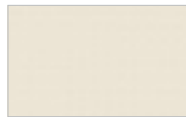
## PVC 3 1/2" Curved & Flat



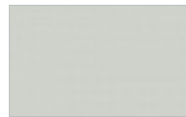
White



Off-White



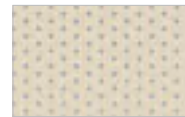
Ivory



Grey



White

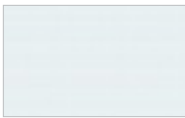


Ivory



Grey

## Aluminum 3 1/2" Curved



White



Off-White



Tan



Zinc



Zinc Perforated



Onyx



Pewter

## Paxton FR Fabric



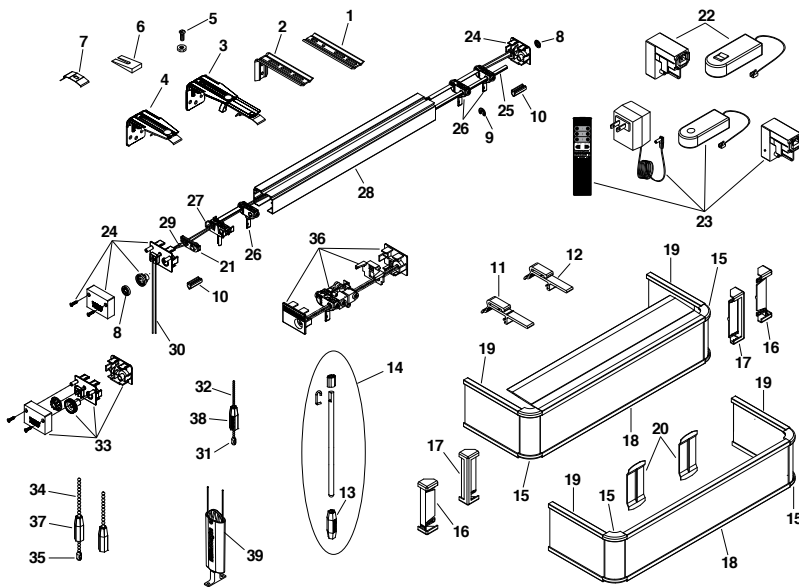
Barn Wood



Starfish

**HunterDouglas**   
Architectural

**PermAlign® Side Draw Assembly**



**STANDARD PARTS**

- |   |   |
|---|---|
| 1. 4 1/2" Slider<br>Extension Plate             | 20. Stacked Valance Clip  |
| 2. 4" Heavy-Duty<br>Wall Bracket                | 21. Rod Support Carriers  |
| 3. Adjustable Bracket<br>Assembly w/Clip        | 22. Motorized Tilt Switch Unit                                    |
| 4. 3 1/2" L-Bracket w/Clip                      | 23. Motorized Tilt Remote<br>Control Unit                         |
| 5. 8-32 x 3/8" Pan Head<br>Bolt & Nut           | 24. #6 Direct Drive<br>End Control Set w/Cover                    |
| 6. Mounting Shim                                | 25. Tilt Rod  |
| 7. Mounting Clip                                | 26. Regular Draw Carriers   |
| 8. Star Fastener                                | 27. Lead Carrier<br>Guide Assembly                                |
| 9. Stop C-Clip                                  | 28. Channel   |
| 10. 1" Omega Spacer                             | 29. Rod Support Bead  |
| 11. Long Valance Hanger                         | 30. Traverse Cord   |
| 12. Short Valance Hanger                        | 31. #6 Tilt Chain Connector                                       |
| 13. Wand Hex Handle                             | 32. #6 Tilt Chain   |
| 14. Wand Assembly                               | 33. #10 Gear-Reduced End<br>Control Assembly                      |
| 15. Universal Ivory Round<br>Corner w/Clear Cap | 34. #10 Tilt Chain  |
| 16. Clear Open Valance<br>Corner                | 35. #10 Tilt Chain Connector                                      |
| 17. Clear Closed Valance<br>Corner              | 36. PermAssure Wand<br>Control Endcap<br>Assembly - w/Rod Support |
| 18. Mixed Universal Valance                     | 37. Chain Tassel w/o Logo   |
| 19. Shadow/Valance Return                       | 38. Chain Tassel w/Logo   |
|   | 39. Locking Cord Tensioner  |

**PRODUCT SPECIFICATIONS**

**PART 2 – PRODUCTS**

**2.01 ACCEPTABLE MANUFACTURER**

**A.** Hunter Douglas Architectural / 13915 Danielson St., Ste.100/Poway, CA 92064 / Phone: 800-727-8953 / Fax: 800-205-9819 / Website: HDarchitectural.com or architect approved equivalent.

**B.** Product substitutions must be approved by architect minimum of 30 days prior to close of bid.

**2.01 VERTICAL BLINDS**

**A. PRODUCT:** Hunter Douglas "Contract Vertical Blind"

**B. MATERIALS:**

- LOUVERS:** Vinyl extruded from PVC 3 1/2" wide x .032" maximum thickness curved (optional flat, flat perforated) with standard overlap of not less than 3/8" and stacking 7/32" apart. Groovers extruded from PVC with .030" maximum thickness with 1/8" clear lip to accept inserts of all available commercial fabrics. Fabric to be flame retardant polyester (Paxton FR). Curved .008" gauge 3 1/2" wide heat-treated extruded aluminum, dip coated with baked polyester coating. Finish with manufacturer's standard colors selected by architect from manufacturer's available contract colors.
- CHANNEL:** Standard type (Permalign) measuring 1 3/4" X 1 5/16" X .045" thick constructed of painted ivory aluminum. Internally fit with .24" diameter heavy-duty extruded aluminum tilt rod, engineered thermal plastic carrier trucks, end caps and components required for specified performance and designed for smooth, quiet, trouble free operation.
- CARRIER TRUCKS:** Engineered thermal plastic 7/16" thick and 1 5/8" wide with wheels and worm-and-spur gears to ensure rotation with perfect alignment and synchronization. Solid molded engineered thermal plastic asymmetrical carrier stems provide ease of louver installation and removal. Wheel-less lead carrier moves along elongated bearing surface.

- SPACER LINKS:** Stainless steel 5/16" X .008" spacer links smoothly space and stabilize carrier trucks.
- ROTATION:** Standard #6 (#10 for heavy duty or large applications) qualified nickel-plated brass tilt chain provides 180 degrees direct rotation by activating tilt gear within end cap assembly (#10 standard with covered end cap assembly and 3 to 1 ratio) in turn actuating heavy-duty extruded aluminum tilt rod and worm-and-spur gears in carrier trucks. Located on either side of individual blind unit as per architect's request.
- TRAVERSING:** Stretch resistant, non-fraying, and lint free lock nit polyester cord provide traversing capabilities for side, center, and off-center draws.
- MOUNTING HARDWARE:** Manufacturer's standard L- bracket with clip (outside mounts) & clip only (inside mounts) provide required support.
- ADDITIONAL AVAILABLE OPTIONS:** Valance, Wand Control, Motorization, Bronze Rail, PCO440 (Anodized Aluminum) – Permtrak (Painted Grey) - & Specialty Track (Anodized Aluminum) Headrail Systems.

**2.02 FABRICATION**

**A.** Blind measurements shall be accurate to within + 1/8" or as recommended in writing by manufacturer.

**2.04 FINISHES**

**A. LOUVER** finish selection from the following: (PVC Curved 3 1/2") White, Off-White, Ivory, Grey/ (PVC Flat 3 1/2") White, Ivory, Grey/ (PVC Flat 3 1/2" 13% Perforated) White, Ivory, Grey/ White, Ivory, Grey/ (Aluminum Curved 3 1/2") White, Off-White, Tan, Zinc, Zinc Perforated, Onyx, Pewter/ (Paxton FR Fabric) Barn Wood, Starfish.