

FR Vertical Blinds



Our **FR Vertical Blinds** allow maximum coverage of large windows at a cost-effective price point. The durable vertical track features a carrier train system for a variety of applications.

KEY FEATURES

- GREENGUARD Gold certified for low-emitting products
- Multiple decorative valance options available
- Energy Efficient
- Motorization & specialty shapes available
- Lifetime Guarantee
- Most materials meet all requirements of NFPA 701 small scale flammability testing for commercial applications (*perforated PVC is not Fire Retardant and does not meet NFPA 701 requirements)



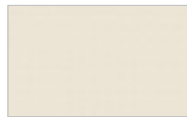
PVC 3 1/2" Curved & Flat



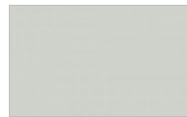
White



Off-White



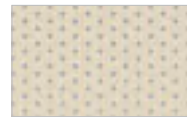
Ivory



Grey



White

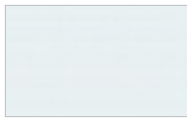


Ivory



Grey

Aluminum 3 1/2" Curved



White



Off-White



Tan



Zinc



Zinc Perforated



Onyx



Pewter

Paxton FR Fabric



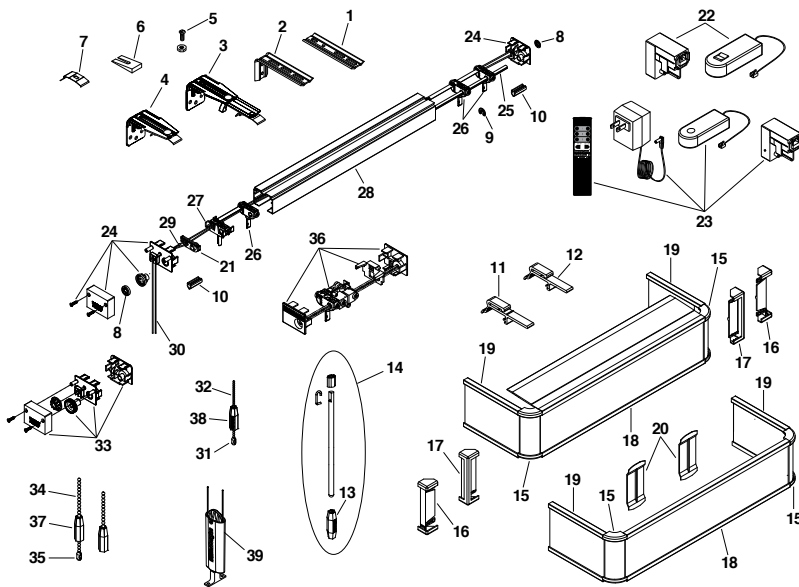
Barn Wood



Starfish

HunterDouglas 
Architectural

PermAlign® Side Draw Assembly



STANDARD PARTS

- | | |
|---|---|
| 1. 4 1/2" Slider
Extension Plate | 20. Stacked Valance Clip |
| 2. 4" Heavy-Duty
Wall Bracket | 21. Rod Support Carriers |
| 3. Adjustable Bracket
Assembly w/Clip | 22. Motorized Tilt Switch Unit |
| 4. 3 1/2" L-Bracket w/Clip | 23. Motorized Tilt Remote
Control Unit |
| 5. 8-32 x 3/8" Pan Head
Bolt & Nut | 24. #6 Direct Drive
End Control Set w/Cover |
| 6. Mounting Shim | 25. Tilt Rod |
| 7. Mounting Clip | 26. Regular Draw Carriers |
| 8. Star Fastener | 27. Lead Carrier
Guide Assembly |
| 9. Stop C-Clip | 28. Channel |
| 10. 1" Omega Spacer | 29. Rod Support Bead |
| 11. Long Valance Hanger | 30. Traverse Cord |
| 12. Short Valance Hanger | 31. #6 Tilt Chain Connector |
| 13. Wand Hex Handle | 32. #6 Tilt Chain |
| 14. Wand Assembly | 33. #10 Gear-Reduced End
Control Assembly |
| 15. Universal Ivory Round
Corner w/Clear Cap | 34. #10 Tilt Chain |
| 16. Clear Open Valance
Corner | 35. #10 Tilt Chain Connector |
| 17. Clear Closed Valance
Corner | 36. PermAssure Wand
Control Endcap
Assembly - w/Rod Support |
| 18. Mixed Universal Valance | 37. Chain Tassel w/o Logo |
| 19. Shadow/Valance Return | 38. Chain Tassel w/Logo |
| | 39. Locking Cord Tensioner |

PRODUCT SPECIFICATIONS

PART 2 – PRODUCTS

2.01 ACCEPTABLE MANUFACTURER

A. Hunter Douglas Architectural / 13915 Danielson St., Ste.100/Poway, CA 92064 / Phone: 800-727-8953 / Fax: 800-205-9819 / Website: HDarchitectural.com or architect approved equivalent.

B. Product substitutions must be approved by architect minimum of 30 days prior to close of bid.

2.01 VERTICAL BLINDS

A. PRODUCT: Hunter Douglas "Contract Vertical Blind"

B. MATERIALS:

- 1. LOUVERS:** Vinyl extruded from PVC 3 1/2" wide x .032" maximum thickness curved (optional flat, flat perforated) with standard overlap of not less than 3/8" and stacking 7/32" apart. Groovers extruded from PVC with .030" maximum thickness with 1/8" clear lip to accept inserts of all available commercial fabrics. Fabric to be flame retardant polyester (Paxton FR). Curved .008" gauge 3 1/2" wide heat-treated extruded aluminum, dip coated with baked polyester coating. Finish with manufacturer's standard colors selected by architect from manufacturer's available contract colors.
- 2. CHANNEL:** Standard type (Permalign) measuring 1 3/4" X 1 5/16" X .045" thick constructed of painted ivory aluminum. Internally fit with .24" diameter heavy-duty extruded aluminum tilt rod, engineered thermal plastic carrier trucks, end caps and components required for specified performance and designed for smooth, quiet, trouble free operation.
- 3. CARRIER TRUCKS:** Engineered thermal plastic 7/16" thick and 1 5/8" wide with wheels and worm-and-spur gears to ensure rotation with perfect alignment and synchronization. Solid molded engineered thermal plastic asymmetrical carrier stems provide ease of louver installation and removal. Wheel-less lead carrier moves along elongated bearing surface.

- 4. SPACER LINKS:** Stainless steel 5/16" X .008" spacer links smoothly space and stabilize carrier trucks.
- 5. ROTATION:** Standard #6 (#10 for heavy duty or large applications) qualified nickel-plated brass tilt chain provides 180 degrees direct rotation by activating tilt gear within end cap assembly (#10 standard with covered end cap assembly and 3 to 1 ratio) in turn actuating heavy-duty extruded aluminum tilt rod and worm-and-spur gears in carrier trucks. Located on either side of individual blind unit as per architect's request.
- 6. TRAVERSING:** Stretch resistant, non-fraying, and lint free lock nit polyester cord provide traversing capabilities for side, center, and off-center draws.
- 7. MOUNTING HARDWARE:** Manufacturer's standard L- bracket with clip (outside mounts) & clip only (inside mounts) provide required support.
- 8. ADDITIONAL AVAILABLE OPTIONS:** Valance, Wand Control, Motorization, PCO440 (Anodized Aluminum) – Permtrak (Painted Grey) - & Specialty Track (Anodized Aluminum) Headrail Systems.

2.02 FABRICATION

A. Blind measurements shall be accurate to within + 1/8" or as recommended in writing by manufacturer.

2.04 FINISHES

A. LOUVER finish selection from the following: (PVC Curved 3 1/2") White, Off-White, Ivory, Grey/ (PVC Flat 3 1/2") White, Ivory, Grey/ (PVC Flat 3 1/2" 13% Perforated) White, Ivory, Grey/ White, Ivory, Grey/ (Aluminum Curved 3 1/2") White, Off-White, Tan, Zinc, Zinc Perforated, Onyx, Pewter/ (Paxton FR Fabric) Barn Wood, Starfish.