

# Vignette® FR Window Shadings



The soft overlapping folds of **Vignette® FR Modern Roman Shades** offer the style of a custom Roman shade, as well as the ease and durability of a roller shade. As light passes through the shade, a diffused glow provides complete privacy, but allows light into the room (room-darkening available).

#### KEY FEATURES

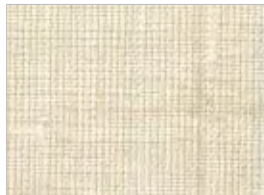
- GREENGUARD Gold certified for low-emitting products
- Fabrics meet all requirements of NFPA 701 small scale flammability testing for commercial applications
- Energy-efficient design creates an insulating layer of air
- 99% UV blocking
- All fabrics available in cut yardage to coordinate with other room elements
- PowerView® available
- Lifetime Guarantee



**Linen Weave 4"** Translucent (J9), 4" Evescape (J11), 6" Flat Translucent (FJ9), 6" Flat Evescape (FJ11)



141 Birch Bark



144 Beechnut

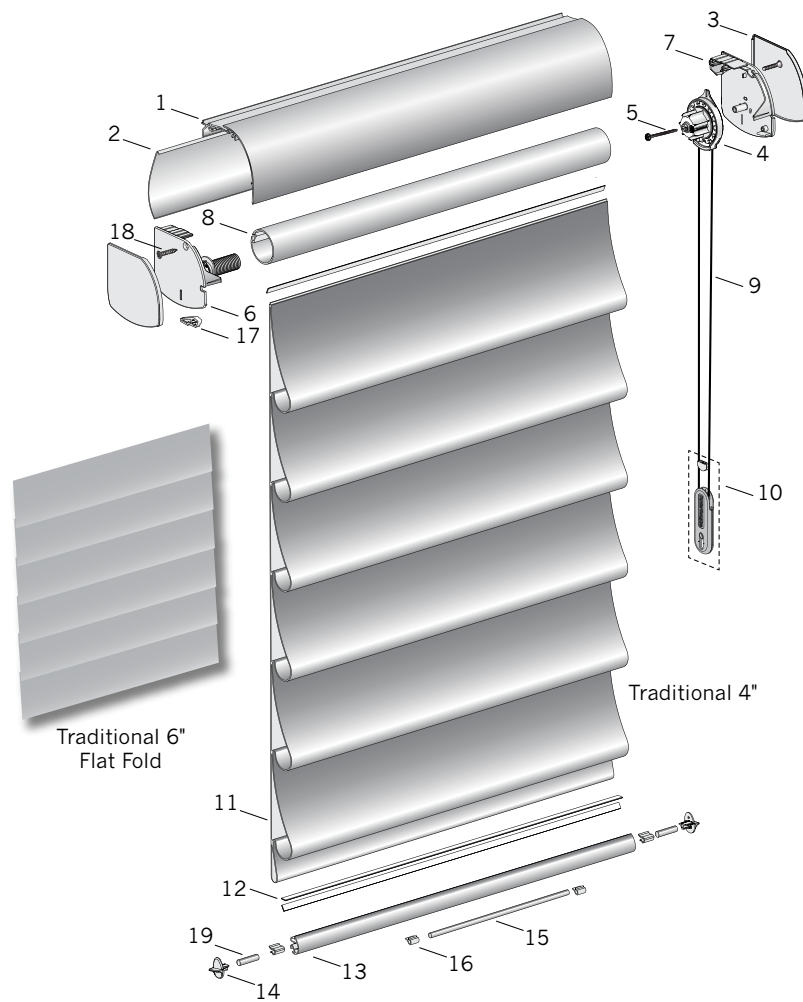


146 Marshland



148 Honey Maple

**HunterDouglas**   
Architectural



**STANDARD PARTS**

1. Headrail
2. Fabric Guard
3. Set, Cover, End Plate
4. Clutch
5. Screw (Clutch)
6. Idler End Plate Assembly
7. End Plate, ER PV, Limit
8. Rotator Rail
9. Cord Loop
10. Universal Cord Tensioner
11. Fabric
12. Poly Rod Assembly
13. Bottom Rail
14. Bottom Rail End Cap
15. Bottom Rail Weight
16. Bottom Rail Weight Clip
17. Snap-In Rail Stop
18. Screw, Flat Head Phillips
19. 1" Bottom Rail Weight

**PRODUCT SPECIFICATIONS**

**PART 2 – PRODUCTS**

**2.01 ACCEPTABLE MANUFACTURER**

- A. Hunter Douglas Architectural / 13915 Danielson St., Ste.100/ Poway, CA 92064 / Phone: 800-727-8953 / Fax: 800-205-9819 / Website: HDarchitectural.com or architect approved equivalent.
- B. Product substitutions must be approved by architect minimum of 30 days prior to close of bid.

**2.01 COMMERCIAL WINDOW SHADINGS**

- A. **PRODUCT:** Hunter Douglas "Vignette® FR Window Shadings"

**B. MATERIALS:**

1. **Fabric:** Combination of permanent flame-resistant 100% polyester fabrics on both front and rear. Constructed of looped overlapping 4" fabric folds located on front with neutral white back fabric providing uniform exterior look. Fabric combination transmits filtered light with no view through. Finish selected by architect from manufacturer's available contract colors.
2. **HEAD/BOTTOM RAIL:** Standard headrail type measuring 3.8125" x 3.3125" x .040" thick constructed of aluminum alloy 6063 conceals shading when fully raised. Internally fit with components required for specified performance and designed for smooth, quiet, trouble-free operation. Matching fabric-covered tubular-shaped steel bottom rail provides uniform look. Headrail finish to be standard polyester-based paint and to coordinate with fabric. Ends fitted with engineering plastic end caps measuring 3 13/16" X 3.1875" color coordinated with front fabric end caps measuring 2 13/16" X 2 9/32" color coordinated with fabric.

3. **LIFTING/ROTATION MECHANISM:** White engineering plastic spring-tempered rotary clutch system raises and lowers shading providing ease of operation when continuous cord loop is activated and holds shadings in place until force is applied. Color coordinated braided polyester 2.4mm diameter cord loop with tensioner to secure cord loop. Located on either side of individual shade unit as per architect's request.
4. **MOUNTING HARDWARE:** Manufacturer's standard white engineering plastic hidden brackets, provide a sleek, unobtrusive appearance.
5. **ADDITIONAL AVAILABLE OPTIONS:** Coordinating Fabric Covered Headrail, Motorization, Optional Cord Lengths, Hold Down Brackets.

**2.02 FABRICATION**

- A. Blind measurements shall be accurate to within + 1/8" or as recommended in writing by manufacturer.

**2.04 FINISHES**

- A. **FABRIC** finish to be duotone with neutral tone facing the exterior and color selection facing the interior. Color selection from the following: Linen Weave FR 141 Birch Bark, 144 Beechnut, 146 Marshland, 148 Honey Maple.