

FEATURES

OPTICAL SYSTEM

- Self-flanged, matte-diffuse high-impact polymer finishing trim with a durable, proprietary vapor deposition finish.
- Patented Bounding Ray™ Optical Principle design (U.S. Patent No. 5,800,050) provides lamp before lamp image and smooth transition from top of the reflector to bottom.
- One piece trim eliminates mitered flange corners and inside corner gaps.
- Upper reflector is painted a highly reflective matte white providing diffuse, even light with high efficiency.
- Proprietary Gotham diffusing lens available.

MECHANICAL SYSTEM

- 16-gauge painted steel mounting/plaster frame accommodates up to 1-1/2" thick ceiling materials.
- Patent pending adjustable aperture allows 1/4" adjustments in all directions and up to 5° of rotation allowing post-installation adjustments to ensure trim to trim alignment.
- 16-gauge galvanized steel mounting bars with continuous 4" vertical adjustments are shipped pre-installed. Post installation adjustment possible without the use of tools from above or below ceiling.
- Secondary housing adjustment system for precise, final ceiling to flange alignment.
- Galvanized steel junction box with hinged access covers and spring latch. Three combination 1/2"-3/4" and one 1/2" knockout for straight-through conduit runs. Capacity: 8 (4 in, 4 out) No. 12 AWG conductors rated for 90°C.

ELECTRICAL SYSTEM

- Medium-base porcelain socket with nickel-plated screw shell.
- Thermally-activated insulation detector.

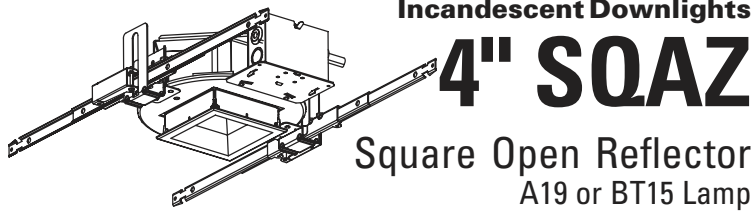
LISTING

- Fixtures are UL Listed for thru-branch wiring, Non-IC recessed mounting and damp locations. Listed and labeled to comply with Canadian Standards.

Type

Catalog number

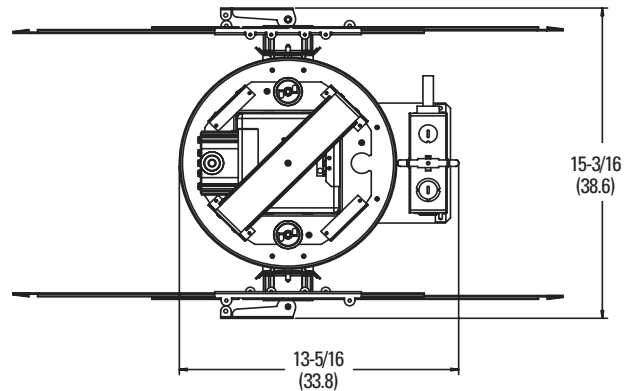
.....



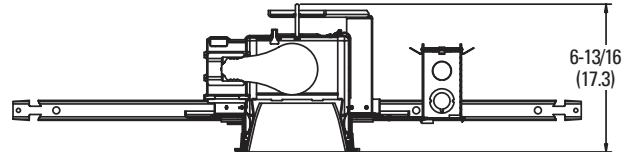
Incandescent Downlights

4" SQAZ

Square Open Reflector
 A19 or BT15 Lamp



Aperture: 4-1/2 (11.4)
 Ceiling Opening: 5-1/8 (13.0)
 Overlap Trim: 5-3/4 (14.6)



All dimensions are inches (centimeters).

ORDERING INFORMATION

Example: **SQAZ 4AR LD CSL**

Choose the boldface catalog nomenclature that best suits your needs and write it on the appropriate line. Order accessories as separate catalog numbers (shipped separately).

SQAZ

Series ¹	Aperture/Trim color	Finish	Lens type	Options
SQAZ	4AR Clear 4DSR Stepped 4PR Pewter 4WTR Wheat 4WR² White 4BR² Black 4PDSR Pewter stepped 4WDSR Wheat stepped	(blank) Semi-specular ³ LD Matte-diffuse	(blank) No lens CSL Concentric square lens SOL Solite lens	SDT⁴ Stepdown transformer (277V to 120V) SDT347⁴ Stepdown transformer (347V to 120V; 75W Max.) SF⁴ Single fuse LRC⁵ Provides compatibility with Lithonia Reloc [®] System. Lithonia Reloc System can be installed less this option with connectors provided by others. Access above ceiling required CP Chicago Plenum SQMT⁶ Square metal trim

NOTES

- 1 Maximum wattage: 100W A19.
- 2 Not available with matte-diffuse finish.
- 3 Available with WR and BR trim colors and SQMT metal trim option.
- 4 Single fuse standard when SDT or SDT347 options are ordered.
- 5 For compatible Reloc systems, refer to Technical Bulletins tab.
- 6 Not available with stepped trims.



GOTHAM ARCHITECTURAL DOWNLIGHTING
 1400 Lester Road Conyers Georgia 30012
 P 800 315 4982 F 770 860 3129
www.gothamlighting.com

SQAZ 4 DINC-290 Rev 3/10

4" SQAZ Square Open Reflector

Distribution curve Distribution data Output data Coefficient of utilization Illuminance Data at 30" Above Floor for a Single Luminaire

SQAZ 100W 4AR LD, (1) 100W A19 lamp, 1.0 s/mh, 1550 rated lumens, Test No. LTL16085

From 0°	Ave	Lumens	Zone	Lumens	% Lamp	pf	Coefficient of utilization						Illuminance Data at 30" Above Floor for a Single Luminaire					
							pc	80%		20%		50%		50° beam angle		10% beam angle		
								pw	50%	30%	50%	30%	50%	30%	52.4°	85.5°		
0	452		0° - 30°	308.4	19.9	1	.38	.37	.37	.36	.36	.35						
5	449	42	0° - 40°	433.6	28.0	2	.35	.33	.34	.33	.33	.32	Mount	Initial fc	Beam	fc at	Beam	fc at
15	418	117	0° - 60°	530.7	34.2	3	.32	.30	.32	.30	.31	.29	height	at beam	diameter	beam	diameter	beam
25	328	149	0° - 90°	537.3	34.7	4	.30	.28	.29	.27	.29	.27	8	14.9	5.4	7.5	10.2	1.5
35	201	125	90° - 180°	0.0	0.0	5	.28	.25	.27	.25	.27	.25	10	8.0	7.4	4.0	13.9	0.8
45	92	72	0° - 180°	537.3	*34.7	6	.26	.23	.25	.23	.25	.23	12	5.0	9.4	2.5	17.6	0.5
55	26	25	*E efficiency			7	.24	.21	.23	.21	.23	.21	14	3.4	11.3	1.7	21.3	0.3
65	4	5				8	.22	.20	.22	.20	.22	.20	16	2.5	13.3	1.2	25.0	0.2
75	1	2				9	.21	.18	.21	.18	.20	.18						
85	0	0				10	.19	.17	.19	.17	.19	.17						
90	0	0																

SQAZ 100W 4AR LD, (1) 100BT15/HAL/W/120V lamp, 1.0 s/mh, 1670 rated lumens, Test No. LTL16088

From 0°	Ave	Lumens	Zone	Lumens	% Lamp	pf	Coefficient of utilization						Illuminance Data at 30" Above Floor for a Single Luminaire					
							pc	80%		20%		50%		50° beam angle		10% beam angle		
								pw	50%	30%	50%	30%	50%	30%	86.0°			
0	475		0° - 30°	324.8	19.4	1	.38	.37	.37	.36	.35	.35	Mount	Initial fc	Beam	fc at	Beam	fc at
5	473	45	0° - 40°	458.3	27.4	2	.34	.33	.34	.32	.33	.32	height	at beam	diameter	beam	diameter	beam
15	439	123	0° - 60°	563.9	33.8	3	.32	.30	.31	.29	.30	.29	8	15.7	5.4	7.9	10.3	1.6
25	346	157	0° - 90°	571.3	34.2	4	.29	.27	.29	.27	.28	.26	10	8.4	7.4	4.2	14.0	0.8
35	214	133	90° - 180°	0.0	0.0	5	.27	.25	.27	.25	.26	.24	12	5.3	9.4	2.6	17.7	0.5
45	101	78	0° - 180°	571.3	*34.2	6	.25	.23	.25	.23	.24	.22	14	3.6	11.3	1.8	21.4	0.4
55	29	27	*E efficiency			7	.23	.21	.23	.21	.23	.21	16	2.6	13.3	1.3	25.2	0.3
65	5	5				8	.22	.20	.22	.19	.21	.19						
75	2	2				9	.20	.18	.20	.18	.20	.18						
85	0	0				10	.19	.17	.19	.17	.19	.17						
90	0	0																

SQAZ 100W 4DSR, (1) 100A/WL A19 lamp, 1.2 s/mh, 1550 rated lumens, Test No. LTL16087

From 0°	Ave	Lumens	Zone	Lumens	% Lamp	pf	Coefficient of utilization						Illuminance Data at 30" Above Floor for a Single Luminaire					
							pc	80%		20%		50%		50° beam angle		10% beam angle		
								pw	50%	30%	50%	30%	50%	30%	63.7°	96.8°		
0	294		0° - 30°	245.6	15.8	1	.39	.38	.38	.37	.37	.36	Mount	Initial fc	Beam	fc at	Beam	fc at
5	296	28	0° - 40°	377.5	24.4	2	.35	.33	.34	.33	.33	.32	height	at beam	diameter	beam	diameter	beam
15	308	87	0° - 60°	529.4	34.2	3	.32	.30	.31	.29	.30	.28	8	9.7	6.8	4.9	12.4	1.0
25	286	130	0° - 90°	554.8	35.8	4	.29	.26	.28	.26	.28	.26	10	5.2	9.3	2.6	16.9	0.5
35	212	132	90° - 180°	0.0	0.0	5	.26	.24	.26	.24	.25	.23	12	3.3	11.8	1.6	21.4	0.3
45	124	96	0° - 180°	554.8	*35.8	6	.24	.21	.24	.21	.23	.21	14	2.2	14.3	1.1	25.9	0.2
55	62	56	*E efficiency			7	.22	.20	.22	.19	.21	.19	16	1.6	16.8	0.8	30.4	0.2
65	19	20				8	.20	.18	.20	.18	.20	.18						
75	4	5				9	.19	.16	.19	.16	.18	.16						
85	1	1				10	.18	.15	.17	.15	.17	.15						
90	0	0																

SQAZ 100W 4DSR, (1) 100BT/HAL/W/120V lamp, 1.2 s/mh, 1670 rated lumens, Test No. LTL16089

From 0°	Ave	Lumens	Zone	Lumens	% Lamp	pf	Coefficient of utilization						Illuminance Data at 30" Above Floor for a Single Luminaire					
							pc	80%		20%		50%		50° beam angle		10% beam angle		
								pw	50%	30%	50%	30%	50%	30%	63.9°	97.0°		
0	311		0° - 30°	260.5	15.6	1	.38	.37	.38	.37	.36	.35	Mount	Initial fc	Beam	fc at	Beam	fc at
5	313	30	0° - 40°	400.9	24.0	2	.35	.33	.34	.32	.33	.32	height	at beam	diameter	beam	diameter	beam
15	326	92	0° - 60°	564.3	33.8	3	.31	.29	.31	.29	.30	.28	8	10.3	6.9	5.1	12.4	1.0
25	304	139	0° - 90°	592.2	35.5	4	.29	.26	.28	.26	.27	.25	10	5.5	9.4	2.8	17.0	0.6
35	226	140	90° - 180°	0.0	0.0	5	.26	.23	.26	.23	.25	.23	12	3.4	11.8	1.7	21.5	0.3
45	134	104	0° - 180°	592.2	*35.5	6	.24	.21	.24	.21	.23	.21	14	2.4	14.3	1.2	26.0	0.2
55	67	60	*E efficiency			7	.22	.19	.22	.19	.21	.19	16	1.7	16.8	0.9	30.5	0.2
65	20	22				8	.20	.18	.20	.18	.20	.17						
75	4	5				9	.19	.16	.19	.16	.18	.16						
85	1	1				10	.17	.15	.17	.15	.17	.15						
90	0	0																

NOTES:
 1. For electrical characteristics consult Technical Bulletins tab.
 2. Tested to current IES and NEMA standards under stabilized laboratory conditions. Various operating factors can cause differences between laboratory data and actual field measurements. Dimensions and specifications are based on the most current available data and are subject to change without notice.

DINC-290

©2007, 2009. Acuity Brands Lighting, Inc. All Rights Reserved. Rev 3/10

gotham
 An Acuity Brands Company

GOTHAM ARCHITECTURAL DOWNLIGHTING
 1400 Lester Road Conyers Georgia 30012
 P 800 315 4982 F 770 860 3129
 www.gothamlighting.com