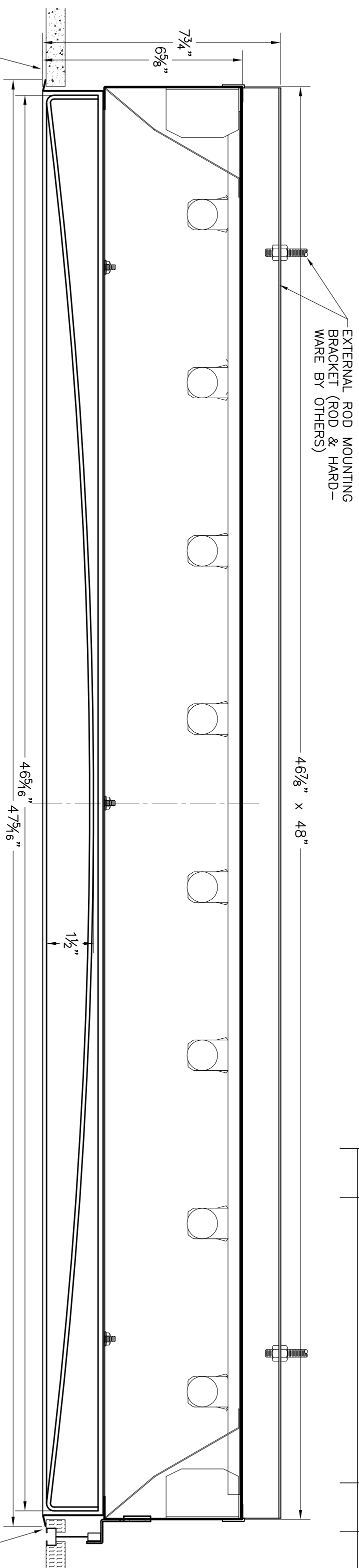


This document, the designs and information presented hereon are the confidential and proprietary property of Mark Architectural Lighting and is presented for the sole use of conveying product data to our customer. The use, reproduction or divulging of its contents without the consent or knowledge of Mark Architectural Lighting is prohibited.

Rev.	Description	Date	By



EXTERNAL ROD MOUNTING BRACKET (ROD & HARDWARE BY OTHERS)

46 7/8" x 48"

SHEETROCK INSTALLATION DETAIL WITH OVERLAP TRIM

TYPICAL GRID CEILING INSTALLATION DETAIL

SPECIFICATIONS

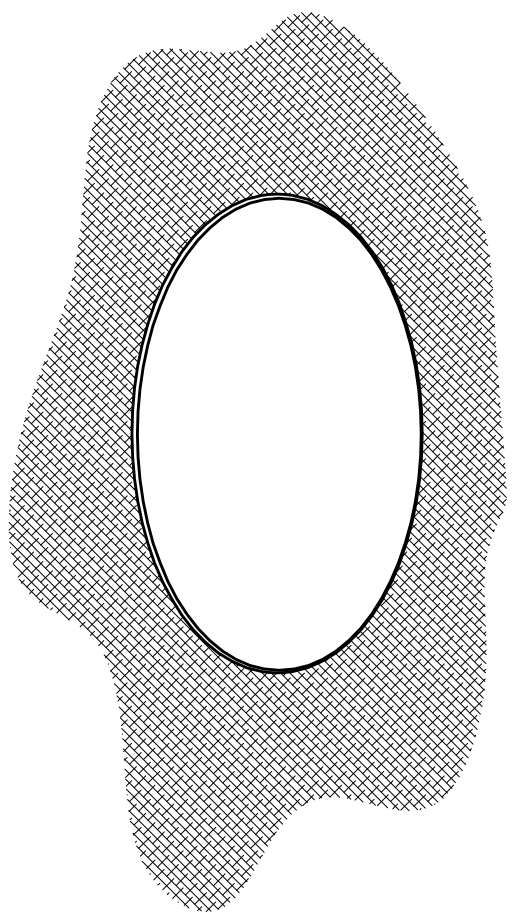
CATALOG NO.: **MG4-SPEC-(*)T8-SW**

LIGHTING MOUNTING SIZE LAMPS* BALLAST MATERIAL TRIM SHIELDING FINISH

DIRECT RECESSED LAY-IN OR PLASTER (SHEETROCK) CEILING NOMINAL 4' DIA.
 (6) OR (8) F032T8, F28T5 OR F54T5HO (NOT BY MARK) ELECTRONIC, VOLTAGE TO BE SPECIFIED HOUSING AND ALL INTERNAL PARTS TO BE 20 GA. COLD-ROLLED STEEL
 SPUN STEEL TRIM WITH 3/8" FLANGE IS SUITABLE FOR USE IN BOTH LAY-IN AND SHEETROCK CEILINGS
 .125" THICK WHITE ACRYLIC DOME
 BAKED MATTE WHITE ENAMEL

UNION-MADE IN THE U.S.A.
 IBEW-AFL-CIO

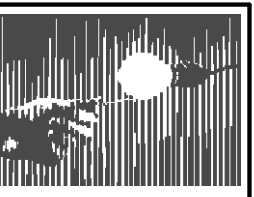
TYPE:



Project: **4FT. MAGELLAN**

Distributor:

3 Kilmer Road
 Edison, NJ 08817
 Ph: 732-985-2600
 Fax: 732-985-8441



mark architectural lighting

By:	DJL	Date:	01/28/03	Scale:	NONE
Dwg. no.:		Size:	B	Rev.	