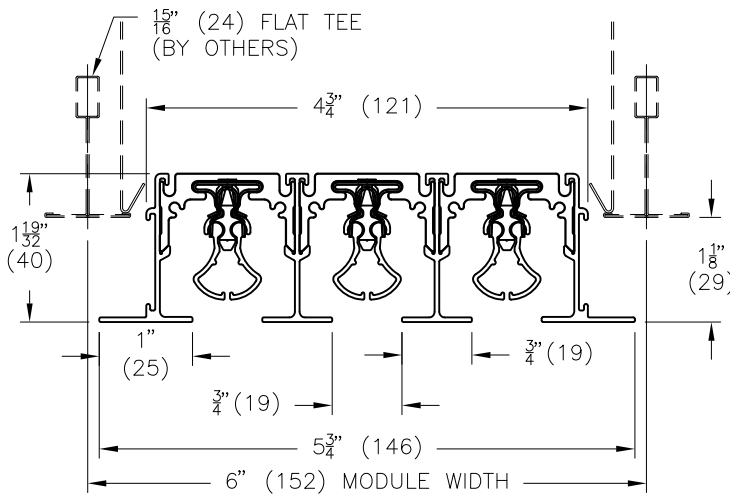
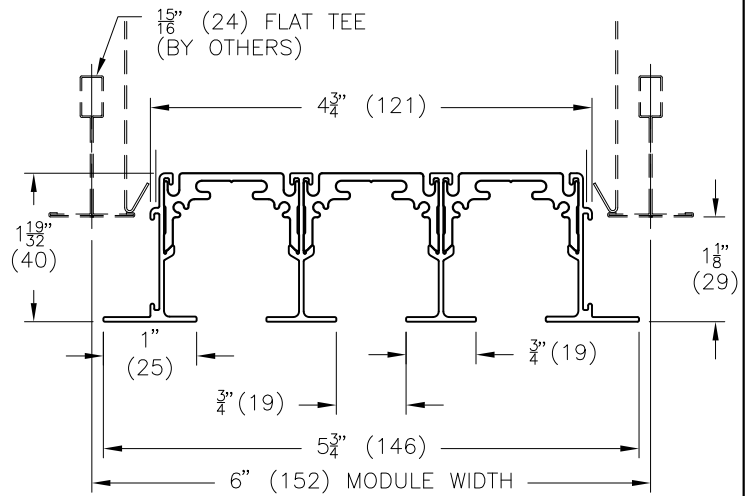


**SDS / SDR LINEAR SLOT DIFFUSER - TYPE 21
TECHSTYLE CEILING APPLICATION**



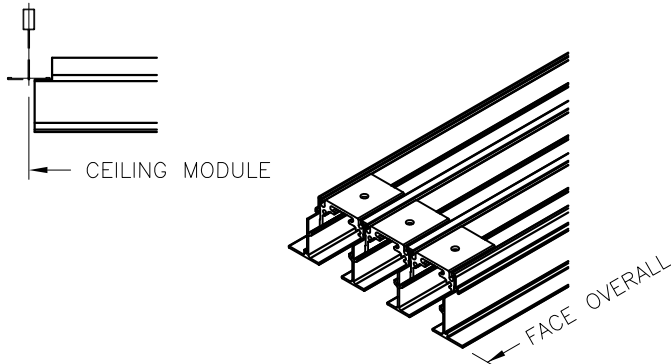
SDS75



SDR75

END CONDITIONS:

- V - NOTCHED END FOR TECHSTYLE**



END CONDITION	FACE LENGTH
V-V	CEILING MODULE - 1/4" (6)

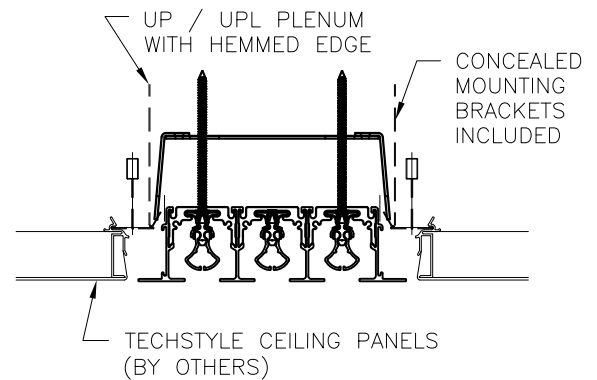
FINISH:

- PATTERN CONTROLLERS - B17 BLACK
- DIFFUSER FACE - B12 WHITE (OPTIONAL FINISHES AVAILABLE)

MATERIAL:

- EXTRUDED ALUMINUM FRAME
- ROLLFORMED STEEL OR EXTRUDED ALUMINUM PATTERN CONTROLLERS ON SDS75

MOUNTING:



MODULE WIDTH	SLOT QUANTITY
6" (152)	3

NOTE:

- AVAILABLE LENGTHS:
 - 24" (610)
 - 48" (1219)
 - 60" (1524)
- FOR USE WITH HUNTER DOUGLAS TECHSTYLE CEILING WITH 6" (152) MODULE WIDTH
- 180° AIR PATTERN ADJUSTMENT AVAILABLE
- FOR USE WITH MODEL UP / UPL PLENUMS, TYPE 21 (ORDER SEPARATELY)
- FACTORY TOLERANCE ± 1/32" (1)

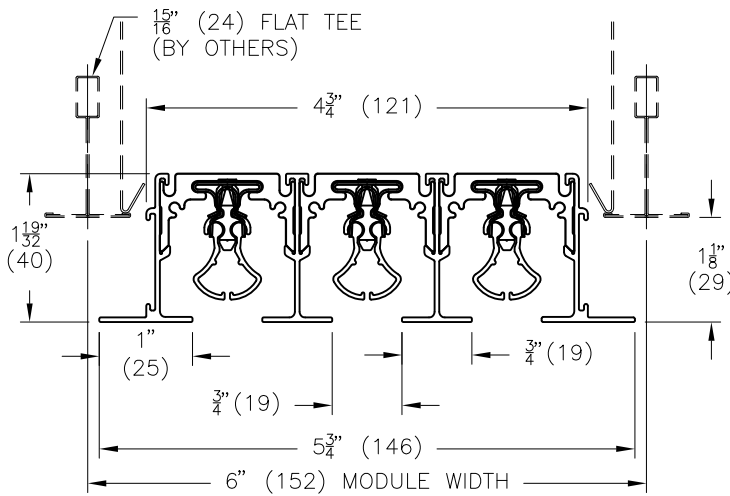
MODELS:

- SUPPLY DIFFUSERS: RETURNS:
- SDS75 - 3/4" SLOT
 - SDR75 - 3/4" SLOT

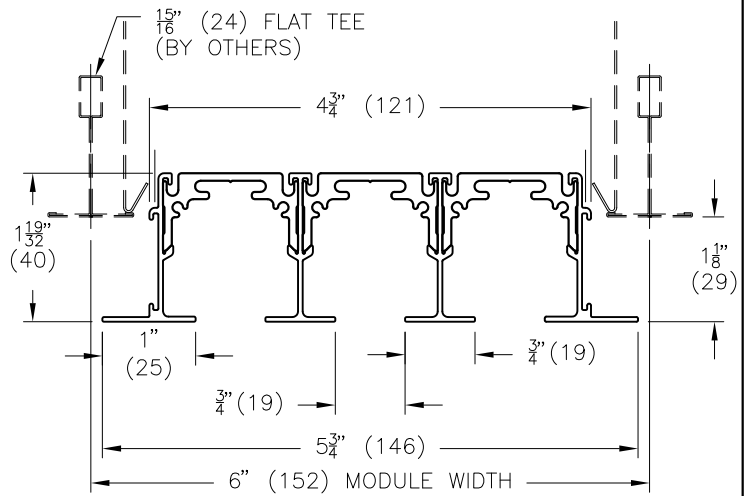
ALL METRIC DIMENSIONS () ARE SOFT CONVERTED. IMPERIAL DIMENSIONS ARE CONVERTED TO METRIC AND ROUNDED TO THE NEAREST MILLIMETER.

PROJECT:		PRICE [®]	
ENGINEER:			SDS / SDR TYPE 21 LINEAR DIFFUSER TECHSTYLE T-BAR SYSTEM
CUSTOMER:		248405	
SUBMITTAL DATE:	SPEC. SYMBOL:	2011/07/12	

**SDS / SDR LINEAR SLOT DIFFUSER - TYPE 22
TECHSTYLE CEILING APPLICATION**



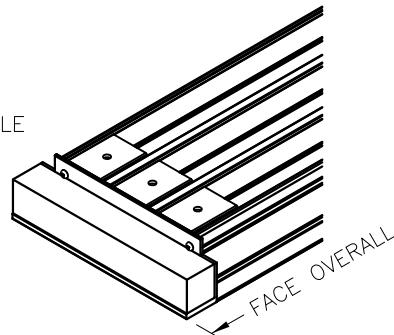
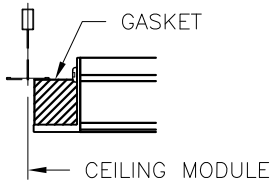
SDS75



SDR75

END CONDITIONS:

W - FLANGE END



END CONDITION	FACE LENGTH
W-W	CEILING MODULE - 1/4" (6)

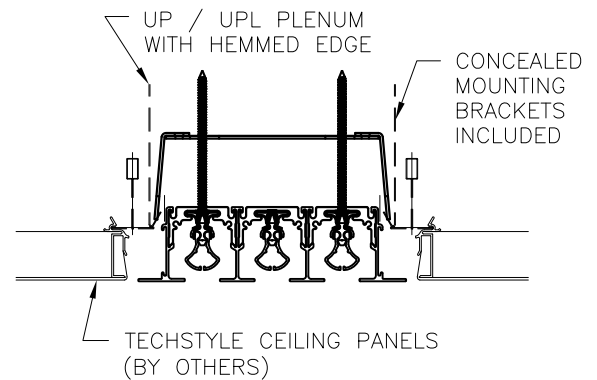
FINISH:

- PATTERN CONTROLLERS - B17 BLACK
- DIFFUSER FACE - B12 WHITE (OPTIONAL FINISHES AVAILABLE)

MATERIAL:

- EXTRUDED ALUMINUM FRAME
- ROLLFORMED STEEL OR EXTRUDED ALUMINUM PATTERN CONTROLLERS ON SDS75

MOUNTING:



MODULE WIDTH	SLOT QUANTITY
6" (152)	3

NOTE:

- AVAILABLE LENGTHS:
 - 24" (610)
 - 48" (1219)
 - 60" (1524)
- FOR USE WITH HUNTER DOUGLAS TECHSTYLE CEILINGS WITH 6" (152) MODULE WIDTH
- 180° AIR PATTERN ADJUSTMENT AVAILABLE
- FOR USE WITH MODEL UP / UPL PLENUMS, TYPE 22 (ORDER SEPARATELY)
- FACTORY TOLERANCE ± 1/32" (1)

MODELS:

- SUPPLY DIFFUSERS: RETURNS:
- SDS75 - 3/4" SLOT
 - SDR75 - 3/4" SLOT

ALL METRIC DIMENSIONS () ARE SOFT CONVERTED. IMPERIAL DIMENSIONS ARE CONVERTED TO METRIC AND ROUNDED TO THE NEAREST MILLIMETER.

PROJECT:		PRICE [®]	
ENGINEER:			
CUSTOMER:		248406	SDS / SDR TYPE 22 LINEAR DIFFUSER TECHSTYLE T-BAR SYSTEM
SUBMITTAL DATE:	SPEC. SYMBOL:	2011/07/12	