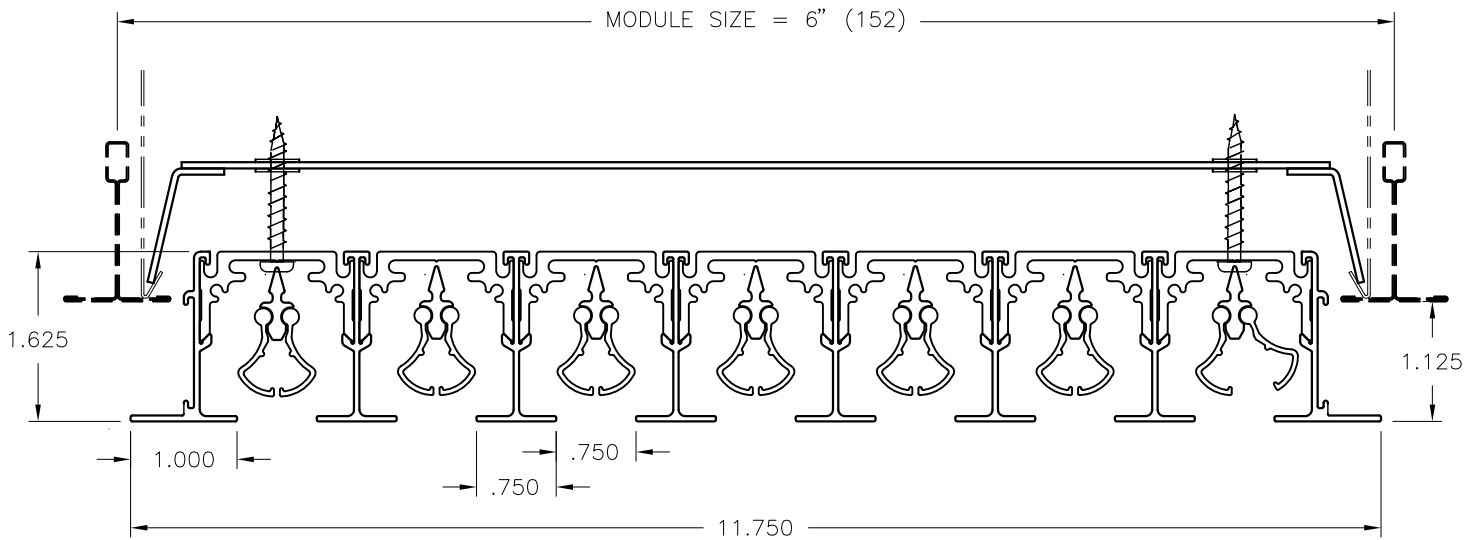
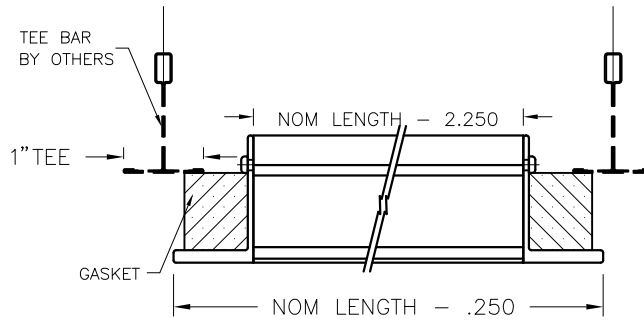


SDS/SDR TYPE 22 LINEAR SLOT DIFFUSER (TechStyle)



□ SDS SUPPLY 7-SLOT



NOTES:

- FITS HUNTER DOUGLAS TechStyle CEILING
- 180° AIR PATTERN ADJUSTMENT AVAILABLE
- FACTORY TOLERANCE ±.031"
- AVAILABLE LENGTHS:
 □ 24" □ 48" □ 60"

MATERIAL:

- EXTRUDED ALUMINUM FRAME
- STEEL PATTERN CONTROLLER OR EXTRUDED ALUMINUM

FINISH:

- PATTERN CONTROLLER: B17 BLACK
- DIFFUSER FACE: B12 WHITE (OPTIONAL FINISHES AVAILABLE)

ALL METRIC DIMENSIONS () ARE SOFT CONVERTED. IMPERIAL DIMENSIONS ARE CONVERTED TO METRIC AND ROUNDED TO THE NEAREST MILLIMETER.

| | | |
|------------------------|--|---|
| PROJECT: | | PRICE® |
| ENGINEER: | | |
| CUSTOMER: | | SDS/SDR 75 T-BAR LAY-IN LINEAR DIFFUSER TYPE 22 |
| SUBMITTAL DATE: | | |
| SPEC. SYMBOL: | | PXY27197 |
| | | 2009/12/03 |