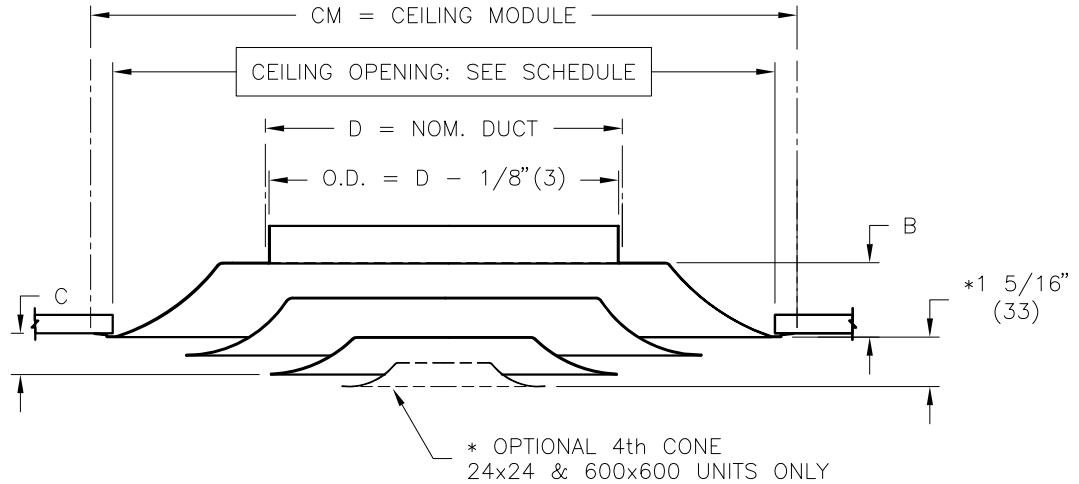


SCD, ASCD SQUARE CONE DIFFUSER



IMPERIAL UNITS (inches)

	CM	CEILING OPENING	B	C	DUCT SIZE
<input type="checkbox"/>	24x24	22x22	2 1/2	1 1/16	6,8,10,12,14,15
<input type="checkbox"/>	20x20	18x18	2 1/2	1/2	6,8,10
<input type="checkbox"/>	12x12	10 1/2x10 1/2	1 1/8	1 1/16	4,5,6,7,8

SI UNITS (mm)

	CM	CEILING OPENING	B	C	DUCT SIZE
<input type="checkbox"/>	600x600	549x549	64	27	152,203,254,305,356,381
<input type="checkbox"/>	500x500	449x449	64	13	152,203,254
<input type="checkbox"/>	300x300	249x249	29	27	102,127,152,178,203

MATERIAL:

- SCD - STEEL CONSTRUCTION
- ASCD - ALUMINUM CONSTRUCTION (STYLES 31 & 17 ONLY)

FINISH:

- B12 WHITE (OPTIONAL FINISHES AVAILABLE)

OPTION:

- AFI - 1/2" FIBERGLASS WITH FOIL/SCRIM VAPOR BARRIER INSULATED BACKPAN (31 T-BAR, 20x20 & 500x500 ONLY)
- R6 - MOLDED INSULATED BACKPAN (31 T-BAR, 12x12, 300x300, 24x24 & 600x600 OR 4TS CLIP ON RECESSED SPLINE 24x24)
- BN - BEADED INLET NECK, WITH EXTENDED DEPTH (2 1/2") (AVAILABLE ON SCD ONLY)

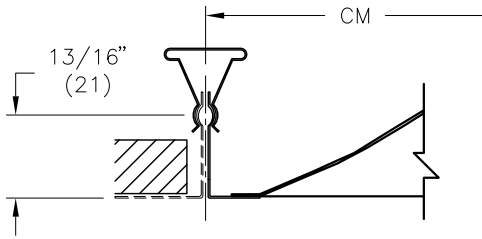
ALL METRIC DIMENSIONS () ARE SOFT CONVERTED. IMPERIAL DIMENSIONS ARE CONVERTED TO METRIC AND ROUNDED TO THE NEAREST MILLIMETER.

PROJECT:		PRICE®	
ENGINEER:		<i>RV</i>	SCD, ASCD SQUARE CONE DIFFUSER
CUSTOMER:		218772	
SUBMITTAL DATE:	SPEC. SYMBOL:	2010/10/18	

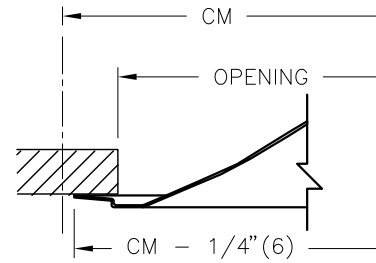
SCD, ASCD SQUARE CONE DIFFUSER

FRAMES: FOR CM 24x24, 12x12, 600x600 & 300x300

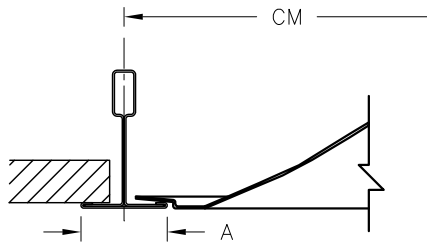
2 SNAP-IN



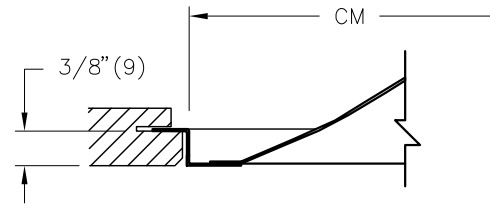
31 SURFACE MOUNT



31 T-BAR A = 1" (25) or 9/16" (14)

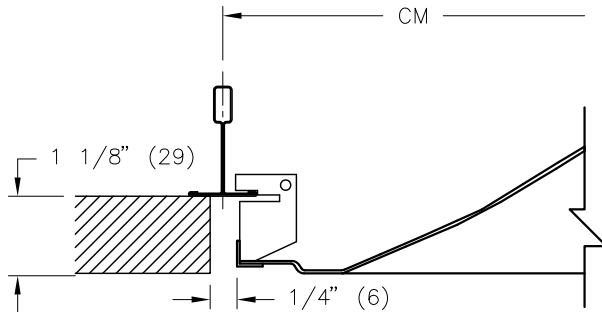


4 SPLINE

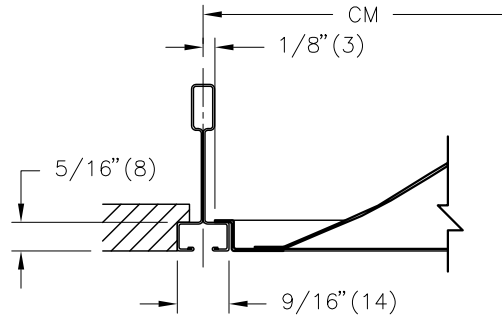


SPLINES ON TWO OPPOSITE SIDES ONLY

4TS CLIP ON RECESSED SPLINE (24x24 ONLY)

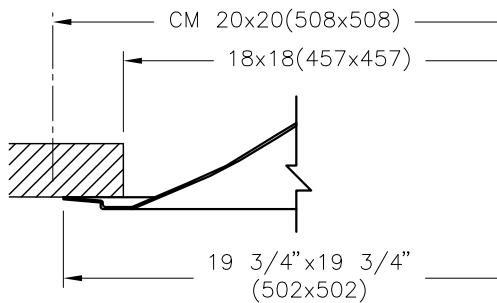


17 NARROW MEMBER

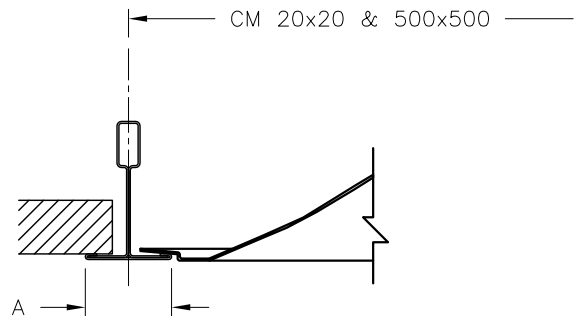


FRAMES: FOR CM 20x20 & 500x500 ONLY

31 SURFACE MOUNT



31 T-BAR A = 1" (25) or 9/16" (14)



ALL METRIC DIMENSIONS () ARE SOFT CONVERTED. IMPERIAL DIMENSIONS ARE CONVERTED TO METRIC AND ROUNDED TO THE NEAREST MILLIMETER.

PROJECT:



ENGINEER:

RV

CUSTOMER:

218772

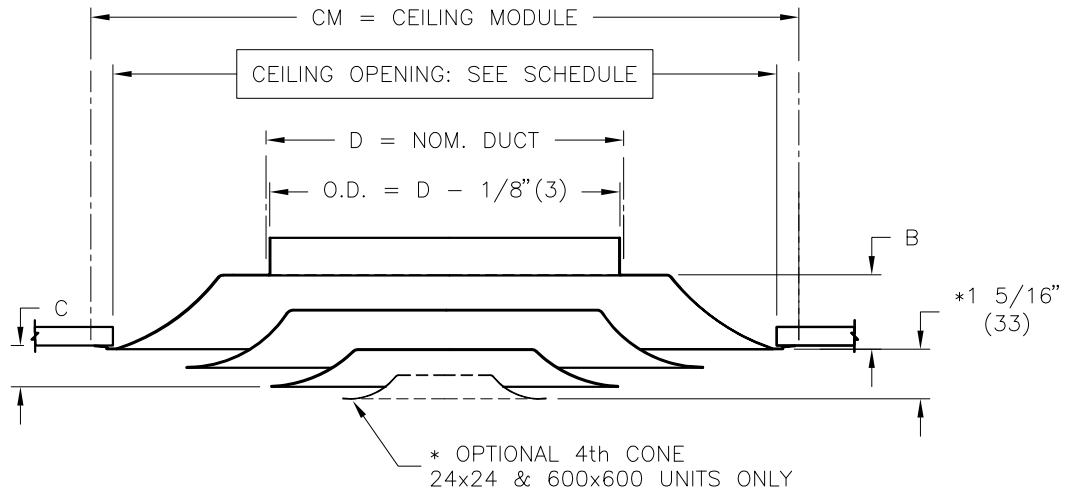
SUBMITTAL DATE:

SPEC. SYMBOL:

2010/10/18

SCD, ASCD
SQUARE CONE DIFFUSER

SCD AS - ALUMINIZED STEEL SQUARE CONE DIFFUSER



IMPERIAL UNITS (Inches)

	CM	CEILING OPENING	B	C	DUCT SIZE
<input type="checkbox"/>	24x24	22x22	2 1/2	1 1/16	6,8,10,12,14,15
<input type="checkbox"/>	20x20	18x18	2 1/2	1/2	6,8,10
<input type="checkbox"/>	12x12	10 1/2x10 1/2	1 1/8	1 1/16	4,5,6,7,8

SI UNITS (mm)

	CM	CEILING OPENING	B	C	DUCT SIZE
<input type="checkbox"/>	600x600	549x549	64	27	152,203,254,305,356,381
<input type="checkbox"/>	500x500	449x449	64	13	152,203,254
<input type="checkbox"/>	300x300	249x249	29	27	102,127,152,178,203

MATERIAL:

ALUMINIZED STEEL CONSTRUCTION

FINISH:

B12 WHITE
(OPTIONAL FINISHES AVAILABLE)

OPTION:

- AFI - 1/2" FIBERGLASS WITH FOIL/SCRIM VAPOR BARRIER INSULATED BACKPAN (STYLE 31 T-BAR 20x20 & 500x500 ONLY)
- R6 - MOLDED INSULATED BACKPAN (STYLE 31 T-BAR 12x12, 300x300, 24x24 & 600x600 OR STYLE 4TS CLIP ON RECESSED SPLINE 24x24)

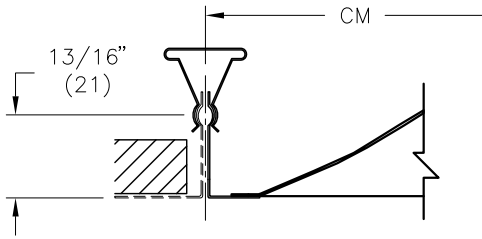
ALL METRIC DIMENSIONS () ARE SOFT CONVERTED. IMPERIAL DIMENSIONS ARE CONVERTED TO METRIC AND ROUNDED TO THE NEAREST MILLIMETER.

PROJECT:		PRICE [®]	
ENGINEER:			SCD AS ALUMINIZED STEEL SQUARE CONE DIFFUSER
CUSTOMER:		244532	
SUBMITTAL DATE:	SPEC. SYMBOL:	2010/10/18	

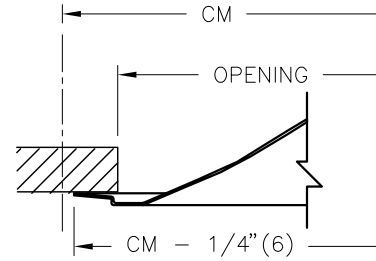
SCD AS - ALUMINIZED STEEL SQUARE CONE DIFFUSER

FRAMES: FOR CM 24x24, 12x12, 600x600 & 300x300

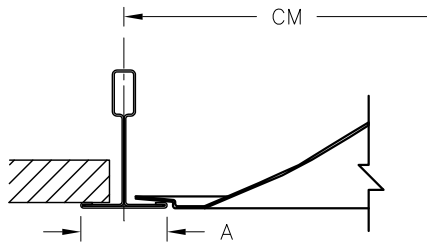
2 SNAP-IN



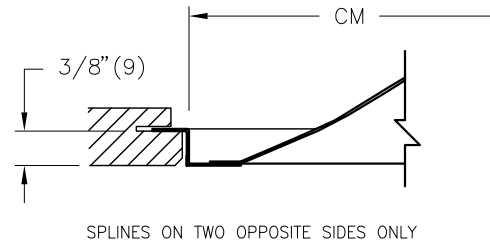
31 SURFACE MOUNT



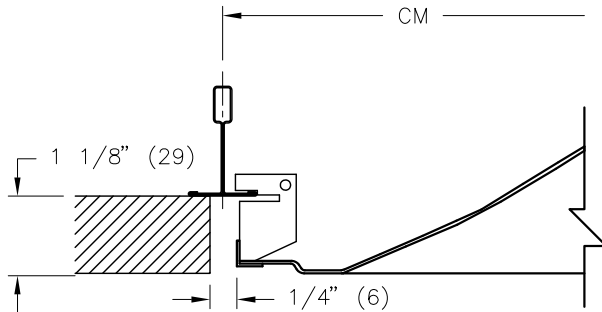
31 T-BAR A = 1" (25) or 9/16" (14)



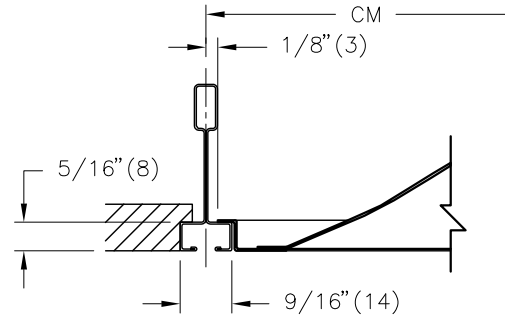
4 SPLINE



4TS CLIP ON RECESSED SPLINE (24x24 ONLY)

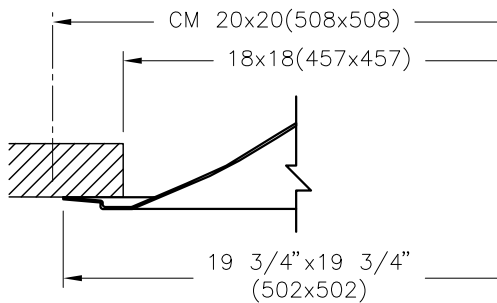


17 NARROW MEMBER

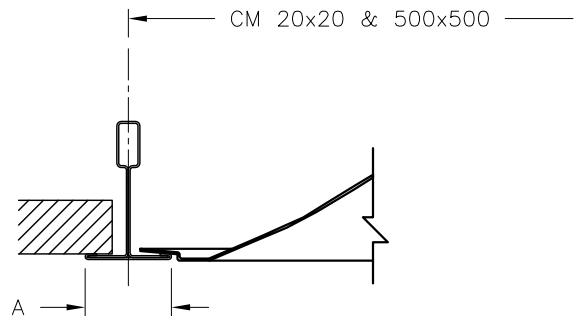


FRAMES: FOR CM 20x20 & 500x500 ONLY

31 SURFACE MOUNT



31 T-BAR A = 1" (25) or 9/16" (14)



ALL METRIC DIMENSIONS () ARE SOFT CONVERTED. IMPERIAL DIMENSIONS ARE CONVERTED TO METRIC AND ROUNDED TO THE NEAREST MILLIMETER.

PROJECT:



ENGINEER:

RV

CUSTOMER:

244532

SUBMITTAL DATE:

SPEC. SYMBOL:

2010/10/18

SCD AS
ALUMINIZED STEEL
SQUARE CONE DIFFUSER