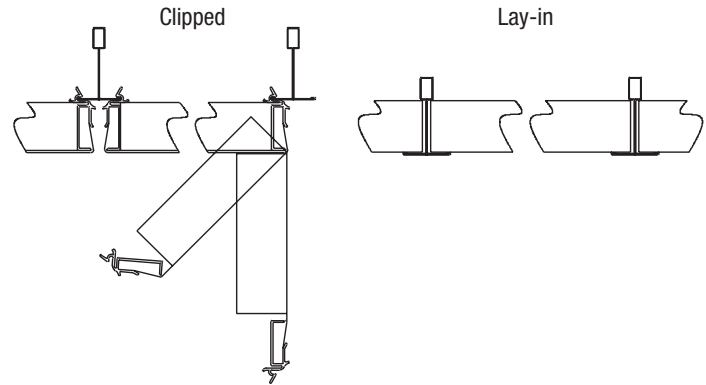


Techstyle® Canvas panels offer an unprecedented range of design choices, with thousands of solid colors and color matching to any major paint manufacturer, as well as a wide range of textures and surface patterns (including wood grain, plaster, leather, and many others). Our digital design library is constantly updated with new choices.

Lightweight honeycomb construction offers exceptional acoustical performance – NRC of 0.85 and SAA of 0.86.

Tiles available for standard lay-in installation or with hidden clips for convenient swing-down access to the plenum. When converted into 24", 30" and 48" wide units, panels can also attach under conventional suspended T-grid, or be applied directly to drywall and decks. New snap-on attachments available for ceiling and wall applications.



Key Features:

- Thousands of colors
- Wide range of customizable patterns
- Sustainable and affordable
 - Uses at least 25 times less coloring agent than conventional on-site paint methods.
 - Does not add VOC's like conventional coloring methods do.
 - By using air instead of water to convey dye, no hazardous waste is emitted and no water wasted.
- Very good acoustical performance (NRC = 0.85; SAA = 0.86)
- Meets Class A (ASTM E84) requirements.