

Natura™ linear ceiling panels offer standard sized solutions for real wood linear ceilings.

© Bob Perzel

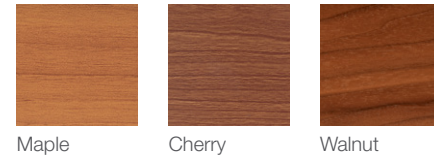
Project: W.R. Davies Student Center – Univ. of Wisconsin, Eau Claire, WI; Natura™ Linear

KEY FEATURES

- Wide linear panel module sizes: 4", 6" and 8"
- FR MDF construction
- Variety of veneers, including FSC
- Clear top coats and stains available
- FR particleboard construction
- Compatible with industry standard lighting, HVAC, speaker, fire safety and security services
- ASTM E-84 Class A Fire Rating
- GREENGUARD Gold Certified

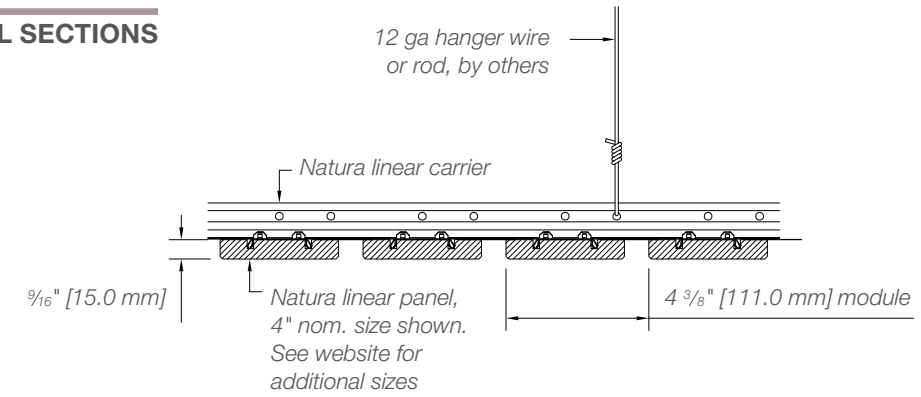
COLORS & FINISHES

Natura™ finishes available in veneer. See page 181 for all colors.

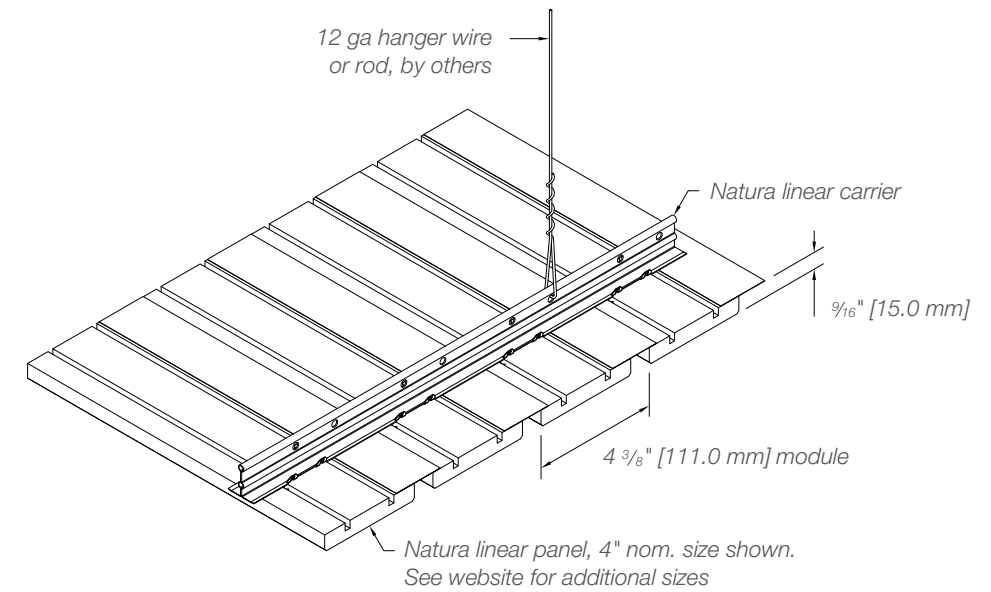


Maple Cherry Walnut

TYPICAL SECTIONS



TYPICAL ISOMETRICS



PHYSICAL DATA

Substrate: FR Composite Wood
Warranty: 1 year
Seismic rating: Zones A,B,C,D,E,F
Fire rating: Class A Fire Rated per ASTM E84
 – Wood veneer on FR Board: Flame spread: ≤ 25, Smoke ≤ 60
Weight: Varies 3.0 – 4.0 lbs./sq.ft.
Wind load: N/A
Light reflectance: Varies with veneer and finish

BIM

REVIT files available for BIM contributions, see website for details.

LEED V4 CREDITS

EA: Optimize Energy Performance
MR: Building Product Disclosure
EQ: Low-Emitting Materials
EQ: Indoor Air Quality Assessment
EQ: Acoustic Performance

CERTIFICATIONS

GREENGUARD Gold Certified
 FSC chain of custody veneers available