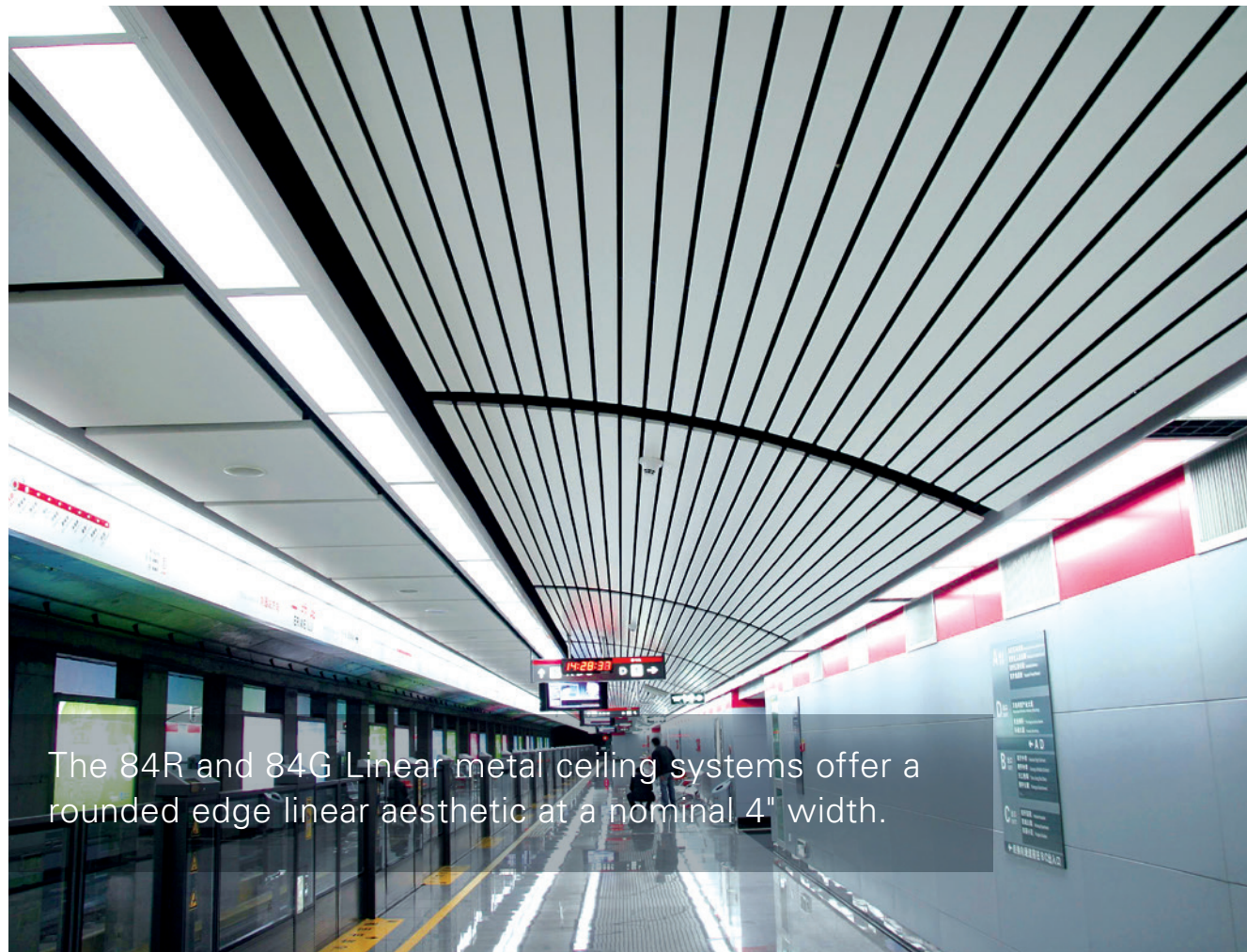


METAL CEILINGS

LINEAR
84R & 84G



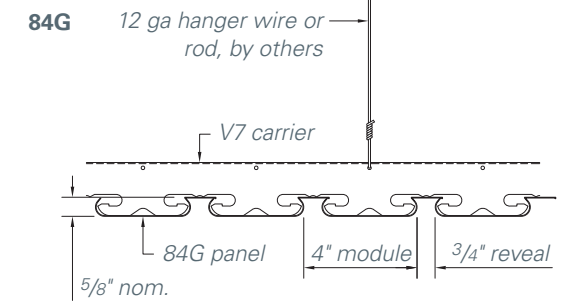
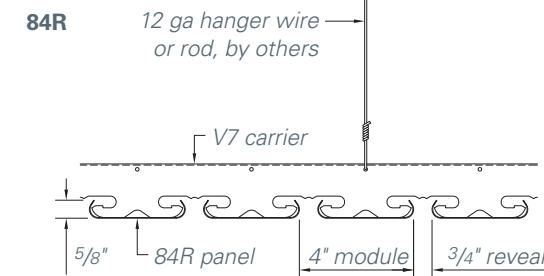
The 84R and 84G Linear metal ceiling systems offer a rounded edge linear aesthetic at a nominal 4" width.

Project: Tianjin Metro Line 1, Tianjin, China; 84R

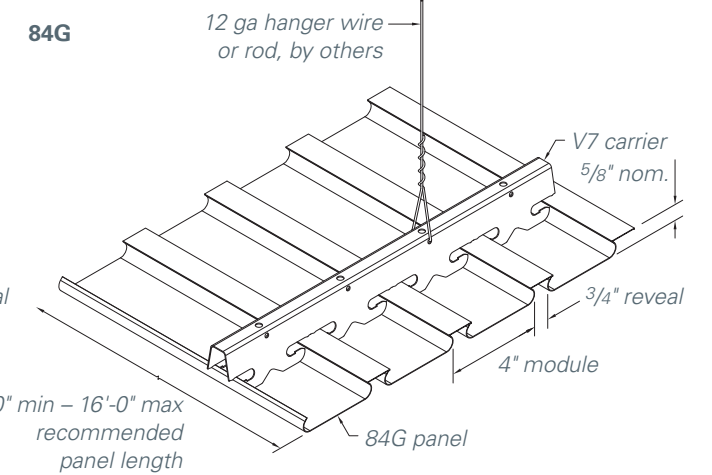
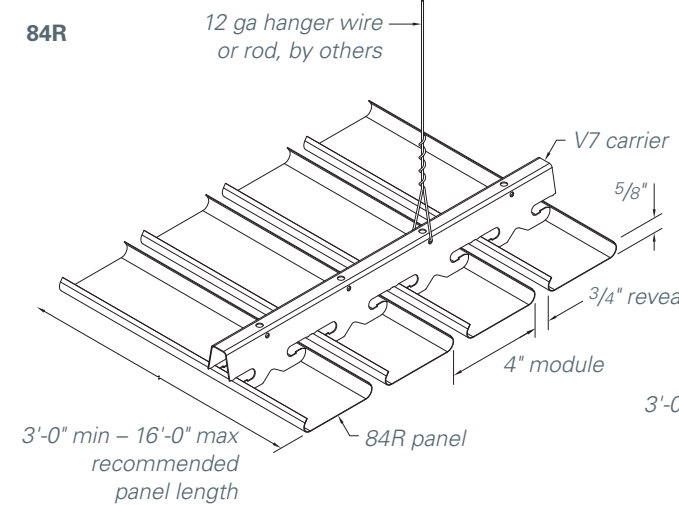
KEY FEATURES

- Panel module width: 4"
- Panel lengths: 3' to 16'
- Panel depth: 5/8"
- Round-edge design
- Curved carrier with straight panel application available
- Waste reduction with factory fabricated dimensional material
- Downweight: reduce dead load with lightweight aluminum
- Easy plenum access
- Interior only
- Compatible with industry standard lighting, HVAC, speaker, fire safety, and security services

TYPICAL SECTIONS

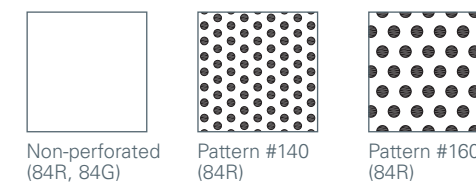


TYPICAL ISOMETRICS



PERFORATION PATTERNS

Standard patterns shown. Scale shown: 1:1, unless otherwise noted.



PHYSICAL DATA

Substrate: Aluminum
Warranty: 1 year
Seismic rating: Zones A,B,C,D,E,F
Fire rating: Class A Fire Rated per ASTM E84
 – Painted or anodized metal: Flame spread: ≤ 25, Smoke ≤ 50
Weight: Varies 0.5 – 0.75 lbs./sq.ft.
Wind load: N/A
Recycled content: Up to 92%
Light reflectance (LR) Coefficient per ASTM E1264 & ASTM E1477:
 – Cotton White: LR = 0.81
Acoustical ratings – NRC: See page 240

BIM

REVIT files available for BIM contributions, see website for details.

LEED V4 CREDITS

EA: Optimize Energy Performance
MR: Building Product Disclosure
EQ: Low-Emitting Materials
EQ: Indoor Air Quality Assessment
EQ: Daylight
EQ: Acoustic Performance

CERTIFICATIONS

GREENGUARD Gold Certified
 HPDs & EPDs – available upon request

METAL CEILINGS

LINEAR
84R & 84G

COLORS & FINISHES

Hunter Douglas offers a wide choice of colors and finishes. Some colors and finishes carry a premium price over manufacturer's standard colors. Custom color matching is available upon request. Please contact Hunter Douglas at 800-366-4327 for minimum quantities and lead times. To request samples, contact us at ceiling.samples@hunterdouglas.com. See website for the most up to date information. Colors are for illustration purposes only.

STANDARD PAINT COLORS



Natural
7163



Cotton White
0280

CUSTOM COLORS

Premium custom colors.



Custom

WHITE FINISH OPTIONS

Powder-coat paint finish for Arctic White #1015P (Gloss 10-20); Crystalline White #1050P (Gloss 45-55); Supernova White #1085P (Gloss 80-90)



Arctic White
1015P



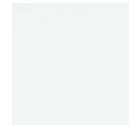
Crystalline
White 1050P



Supernova White
1085P

PERFORMANCE WHITE PAINT FINISH

Powder-coat paint finish offering LRV 96; non-glare, 3% low gloss finish. Certified by: Applied Technical Services, Inc. Test Report No. D233185. Test reports available by request.



Performance White
9603P

STANDARD METALLIC



Brushed Aluminum
0004

BLACK FINISH OPTIONS

Powder-coat paint finish for Starless Black #5000P (Matte); Raven Black #5030P (Gloss 25-35); Sable Black #5060P (Gloss 65-75); Wet Glass Black #5095P (Gloss 90-95)



Starless Black
5000P



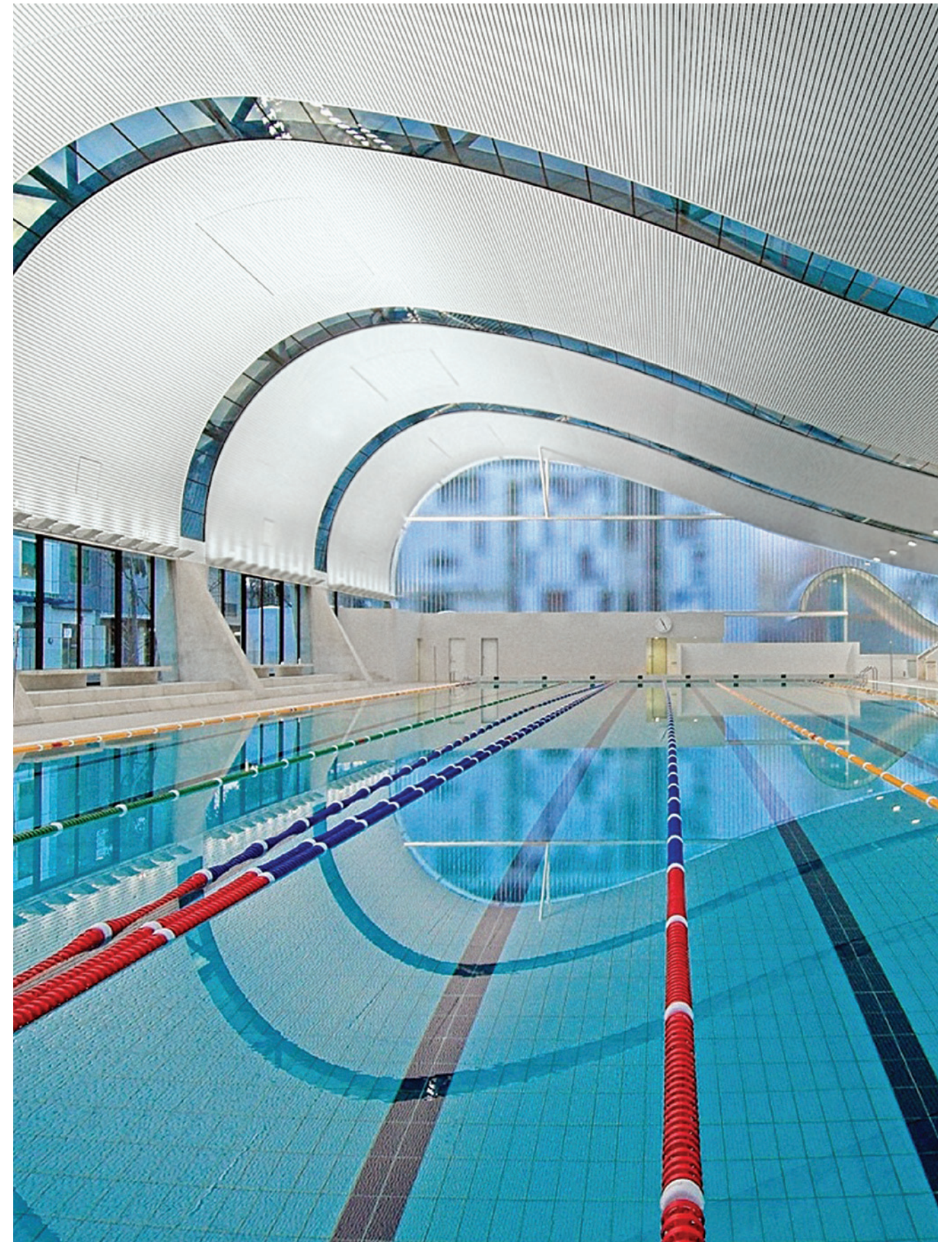
Raven Black
5030P



Sable Black
5060P



Wet Glass Black
5095P



Project: Ian Thorpe Aquatic Centre, Sydney, Australia; 84R