



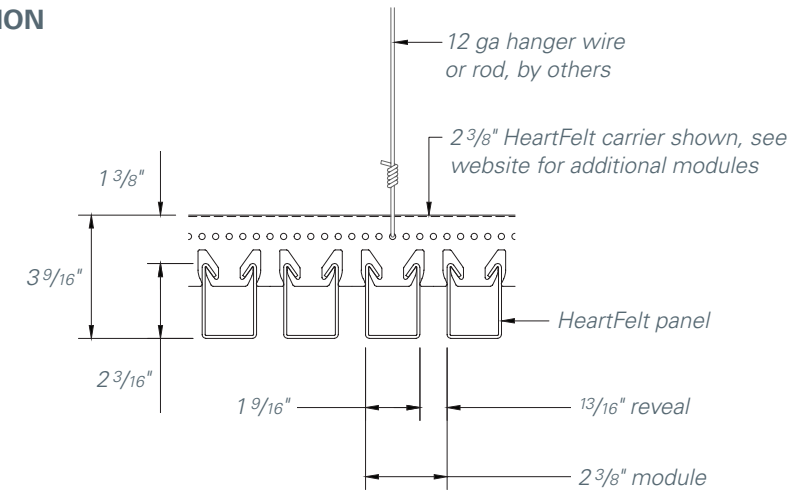
HeartFelt™ is an innovative, patented felt product that turns every ceiling into a visual and acoustic playground.

Project: Moneypenny, Wrexham, UK; HeartFelt™ Linear

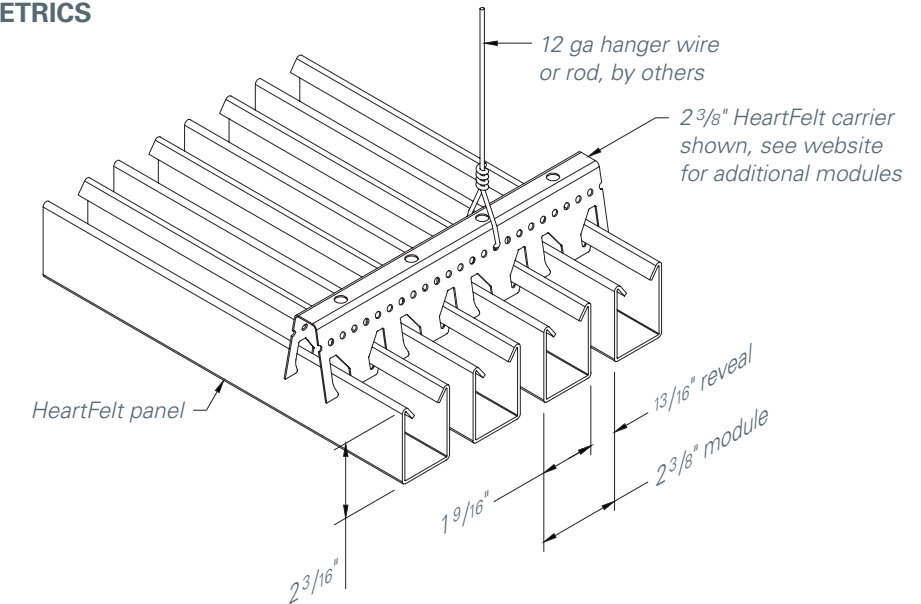
### KEY FEATURES

- Modular ceiling system with felt panels
- Panel dimensions: 19/16" x 23/16" (40 mm x 55 mm)
- Panel length: 8'
- Square-edge design
- Three standard carrier modules to vary reveal for acoustics and aesthetics
- Easy plenum access
- Interior applications
- Compatible with industry standard lighting, HVAC, speaker, fire safety, and security services

### TYPICAL SECTION



### TYPICAL ISOMETRICS



### PHYSICAL DATA

Substrate: Non-woven thermo-formable PES fibers  
 Warranty: 1 year  
 Seismic rating: Zones A,B,C,D,E,F  
 Fire rating: Class A Fire Rated per ASTM E1264  
 Flame spread: ≤ 25, Smoke ≤ 300  
 Weight: Varies  
 Wind load: N/A  
 Light reflectance: Varies with color selected  
 Acoustical ratings – NRC: See page 10

### LEED V4 CREDITS

MR: Building Product Disclosure  
 EQ: Low-Emitting Materials  
 EQ: Indoor Air Quality Assessment  
 EQ: Acoustic Performance

### CERTIFICATIONS

GREENGUARD Gold Certified  
 Cradle-to-Cradle Bronze Certified

FELT CEILINGS

HEARTFELT™ – LINEAR

COLORS & FINISHES

Please contact Hunter Douglas at 800-366-4327 for minimum quantities and lead times. To request samples, contact us at ceiling.samples@hunterdouglas.com. See website for the most up to date information. Colors are for illustration purposes only.

COLORS



ACOUSTICAL RATINGS – NRC

Spacing	Openness	NRC
2" (50 mm)	20%	0.70
2 <sup>3</sup> / <sub>8</sub> " (60 mm)	33%	0.60
3 <sup>3</sup> / <sub>16</sub> " (80 mm)	50%	0.50

Given the unique and special nature of our HeartFelt™ ceiling product, steps should be taken (before and during installation, as well as over the lifetime of the ceiling) to avoid or minimize static and the accumulation of dust, lint, dirt or airborne particles on or around the felt. Hunter Douglas does not warrant against or take responsibility for any such static or accumulation.



Project: Corporate Office, The Netherlands; HeartFelt™ Linear