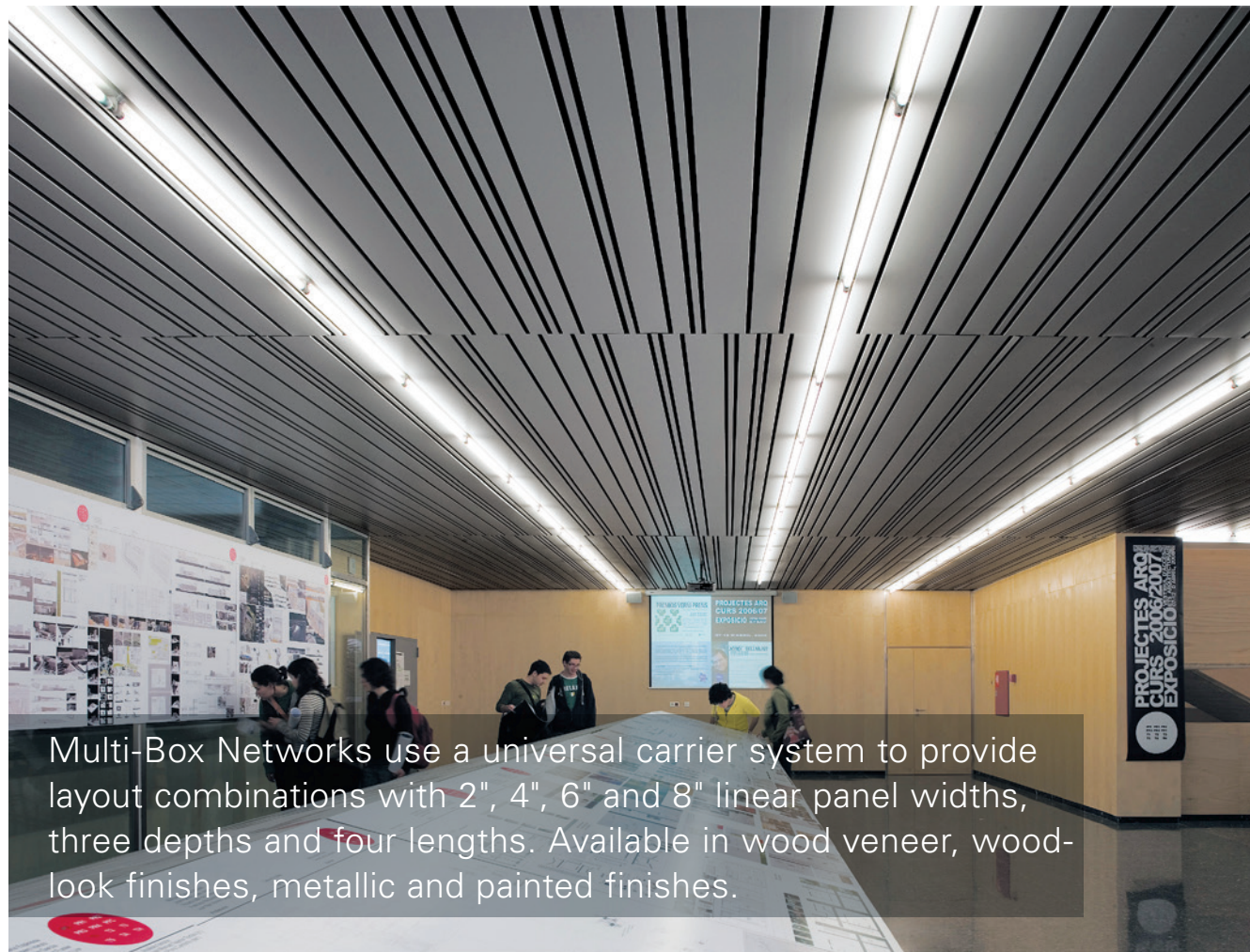


METAL CEILINGS

LINEAR MULTI-BOX NETWORKS



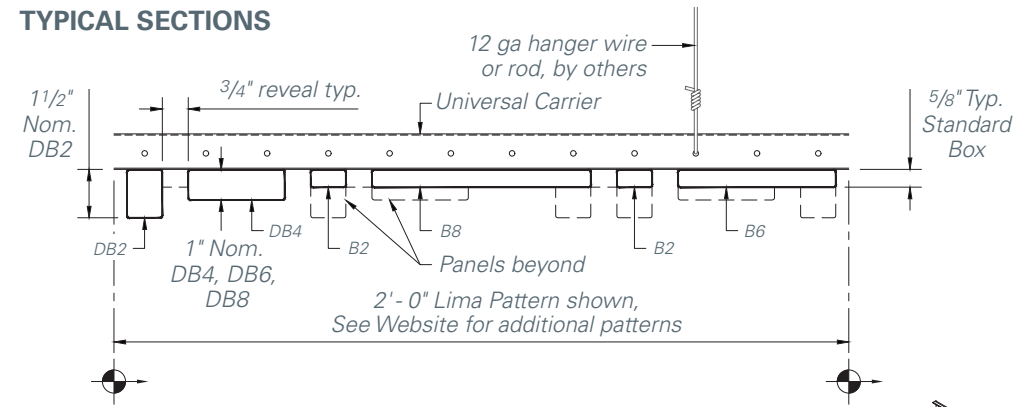
Multi-Box Networks use a universal carrier system to provide layout combinations with 2", 4", 6" and 8" linear panel widths, three depths and four lengths. Available in wood veneer, wood-look finishes, metallic and painted finishes.

Project: Escuela Technica Superior de Architectura, Valencia, Spain; Multi-Box Networks

KEY FEATURES

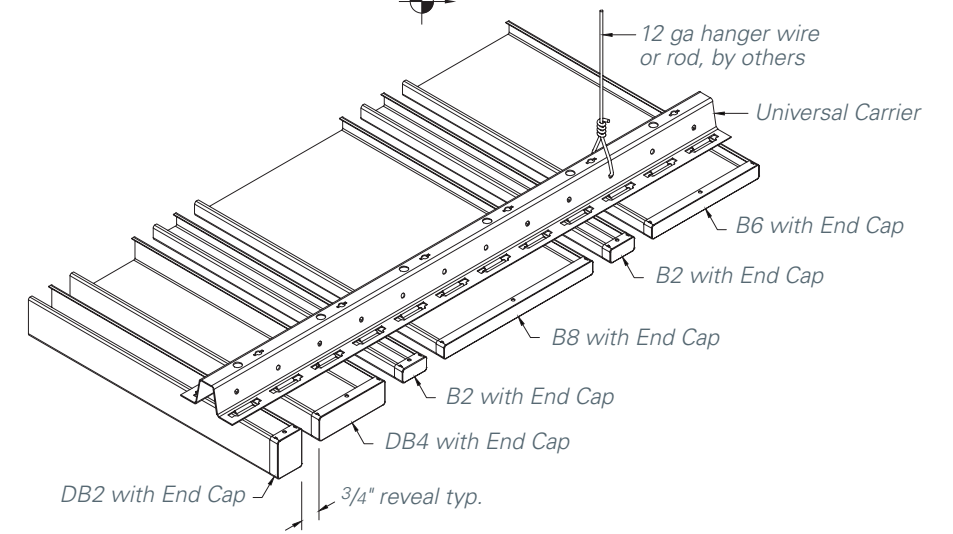
- Panel module widths: 2", 4", 6" and 8"
- Panel lengths: 4', 6', 8' and 10'
- Panel depths:
 - 5/8" (Box 2, 4, 6 & 8)
 - 1" (Deep Box 4, 6 & 8)
 - 1 1/2" (Deep Box 2)
- Square-edge design
- Five patterns available; see website for details
- Downweight: reduce dead load with lightweight aluminum
- Easy plenum access
- Compatible with industry standard lighting, HVAC, speaker, fire safety, and security services
- LED light fixtures fitted for panels reveals.

TYPICAL SECTIONS



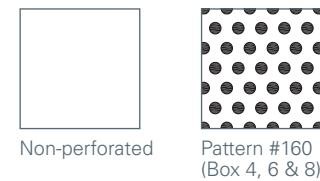
TYPICAL ISOMETRICS

Pattern shown for illustrative purposes only. Pattern and start point must be provided.



PERFORATION PATTERNS

Standard patterns shown. Perforations not available on real wood veneer. Scale shown: 1:1, unless otherwise noted.



PHYSICAL DATA

- Substrate:** Aluminum
- Warranty:** 1 year
- Seismic rating:** Zones A,B,C,D,E,F
- Fire rating:** Class A Fire Rated per ASTM E84
 - Painted or anodized metal: Flame spread: ≤ 25, Smoke ≤ 50
 - Film on metal: Flame spread: ≤ 25, Smoke ≤ 50
 - Wood veneer on metal: Flame spread: ≤ 25, Smoke ≤ 55 (for interior applications)
- Weight:** Varies 0.5 – 1.5 lbs./sq.ft.
- Wind load:** Per code (for exterior applications)
- Recycled content:** Up to 92%
- Light reflectance (LR) Coefficient per ASTM E1264 & ASTM E1477:**
 - Varies with finish
 - Cotton White: LR = 0.81
- Acoustical ratings – NRC:** See page 240

BIM

REVIT files available for BIM contributions, see website for details.

LEED V4 CREDITS

- EA: Optimize Energy Performance
- MR: Building Product Disclosure
- EQ: Low-Emitting Materials
- EQ: Indoor Air Quality Assessment
- EQ: Daylight
- EQ: Acoustic Performance

CERTIFICATIONS

- GREENGUARD Gold Certified
- FSC chain of custody veneers available
- HPDs & EPDs – available upon request

METAL CEILINGS

LINEAR MULTI-BOX NETWORKS

COLORS & FINISHES

Hunter Douglas offers a wide choice of colors and finishes. Some colors and finishes carry a premium price over manufacturer's standard colors. Custom color matching is available upon request. Please contact Hunter Douglas at 800-366-4327 for minimum quantities and lead times. To request samples, contact us at ceiling.samples@hunterdouglas.com. See website for the most up to date information. Colors are for illustration purposes only.

STANDARD PAINT COLORS



Natural 7163
Cotton White 0280

CUSTOM COLORS

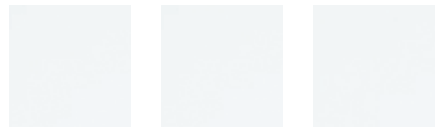
Premium custom colors.



Custom

WHITE FINISH OPTIONS

Powder-coat paint finish for Arctic White #1015P (Gloss 10-20); Crystalline White #1050P (Gloss 45-55); Supernova White #1085P (Gloss 80-90)



Arctic White 1015P
Crystalline White 1050P
Supernova White 1085P

PERFORMANCE WHITE PAINT FINISH

Powder-coat paint finish offering LRV 96; non-glare, 3% low gloss finish. Certified by: Applied Technical Services, Inc. Test Report No. D233185. Test reports available by request.



Performance White 9603P

STANDARD METALLIC



Brushed Aluminum 0004

BLACK FINISH OPTIONS

Powder-coat paint finish for Starless Black #5000P (Matte); Raven Black #5030P (Gloss 25-35); Sable Black #5060P (Gloss 65-75); Wet Glass Black #5095P (Gloss 90-95)



Starless Black 5000P
Raven Black 5030P
Sable Black 5060P
Wet Glass Black 5095P



STANDARD WOOD VENEER OPTIONS

Real wood veneer (interior only). Formaldehyde-free, Class A composite panel. Non-perforated only. Note: This is a small subset of veneers available. Please contact Hunter Douglas for client-specific species and stains.



White Oak (Rift) 9003
Douglas Fir (VG) 9005
Cherry (Flat) 9013
Walnut (Flat) 9114
Anigre (Qtr) 9122
Maple (Flat) 9427

DECORATED WOOD-LOOK OPTIONS

Powder-coat paint finish (interior and exterior). Formaldehyde-free, Class A composite panel. This finish is recommended for exterior conditions.



COIL-COATED WOOD-LOOK OPTIONS

Polyester coil-coated painted finish (interior and exterior). Formaldehyde-free, Class A composite panel. Minimums apply.



Chaucer Maple 8947
Columbia Cherry 8950
Celtic Walnut 8956