

NATURA™ NEO™ CEILINGS

PLANK & TILE
NATURA™ NEO™ GLADIUS™



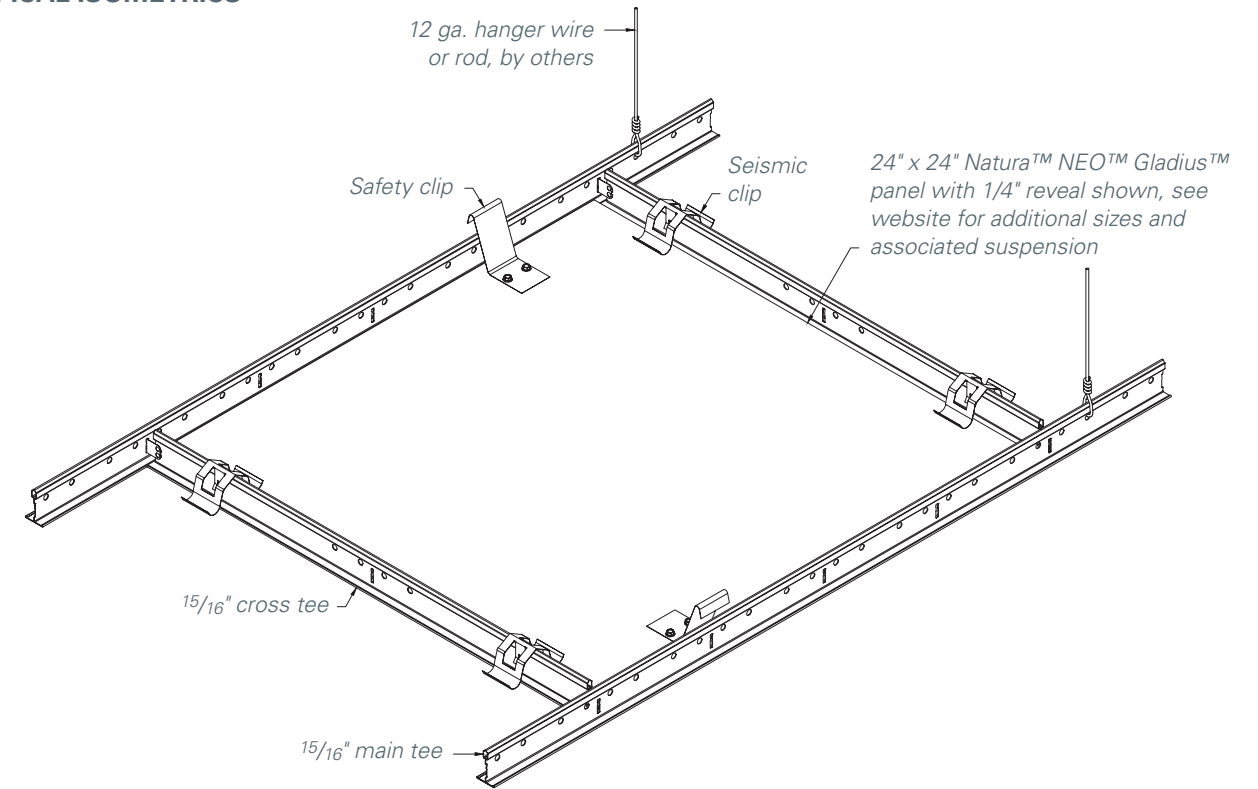
Natura™ NEO™ Gladius™ panels stab onto standard 15/16" T-grid for a narrow reveal across the semi-concealed grid.

Project: James E. Rogers, College of Law, University of Arizona, Tucson, AZ; Natura™ NEO™ Gladius™ Photo credit: Roland Bishop

KEY FEATURES

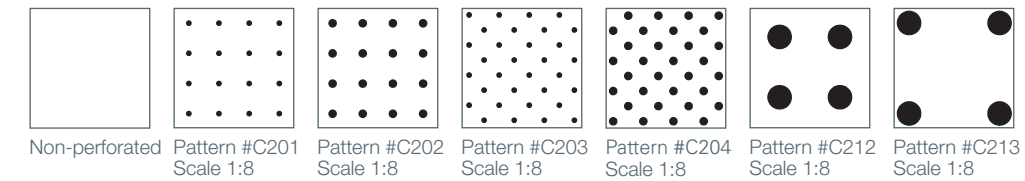
- Interior applications
- Standard sizes: 24" x 24" and 12" x max 72"
- Variety of veneers, including FSC
- Clear top coats and stains available
- 3/4" FR PB construction
- Compatible with industry standard lighting, HVAC, speaker, fire safety, and security services
- ASTM E-84 Class A Fire Rating
- GREENGUARD Gold Certified

TYPICAL ISOMETRICS



PERFORATION PATTERNS

Standard patterns shown. See page 238 to see all perforation patterns. Scale shown: 1:1, unless otherwise noted.



PHYSICAL DATA

Substrate: FR Composite Wood
Warranty: 1 year
Seismic rating: Zones A,B,C,D,E,F
Fire rating: Class A Fire Rated per ASTM E84
 – Wood veneer on metal: Flame spread: ≤ 25, Smoke ≤ 95 (for interior applications)
Weight: Varies 3.0 – 4.0 lbs./sq.ft.
Wind load: N/A
Light reflectance: Varies with veneer and finish

BIM

REVIT files available for BIM contributions, see website for details.

LEED V4 CREDITS

EA: Optimize Energy Performance
 EQ: Low-Emitting Materials
 EQ: Indoor Air Quality Assessment
 EQ: Acoustic Performance

CERTIFICATIONS

GREENGUARD Gold Certified
 FSC chain of custody veneers available

NATURA™ NEO™ CEILINGS

PLANK & TILE
NATURA™ NEO™ GLADIUS™

COLORS & FINISHES

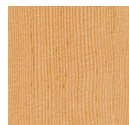
Hunter Douglas offers a wide choice of colors and finishes. Some colors and finishes carry a premium price over manufacturer's standard colors. Custom color matching is available upon request. Please contact Hunter Douglas at 800-366-4327 for minimum quantities and lead times. To request samples, contact us at ceiling.samples@hunterdouglas.com. See website for the most up to date information. Colors are for illustration purposes only.

STANDARD WOOD VENEER OPTIONS

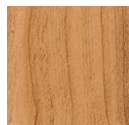
Real wood veneer (interior only). Formaldehyde-free, Class A composite panel.
Note: This is a small subset of veneers available. Please contact Hunter Douglas for client-specific species and stains.



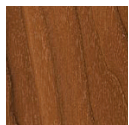
White Oak (Rift) 9003



Douglas Fir (VG) 9005



Cherry (Flat) 9013



Walnut (Flat) 9114



Anigre (Qtr) 9122



Maple (Flat) 9427



Project: James E. Rogers, College of Law, University of Arizona, Tucson, AZ; Natura™ NEO™ Gladius™ Photo credit: Roland Bishop