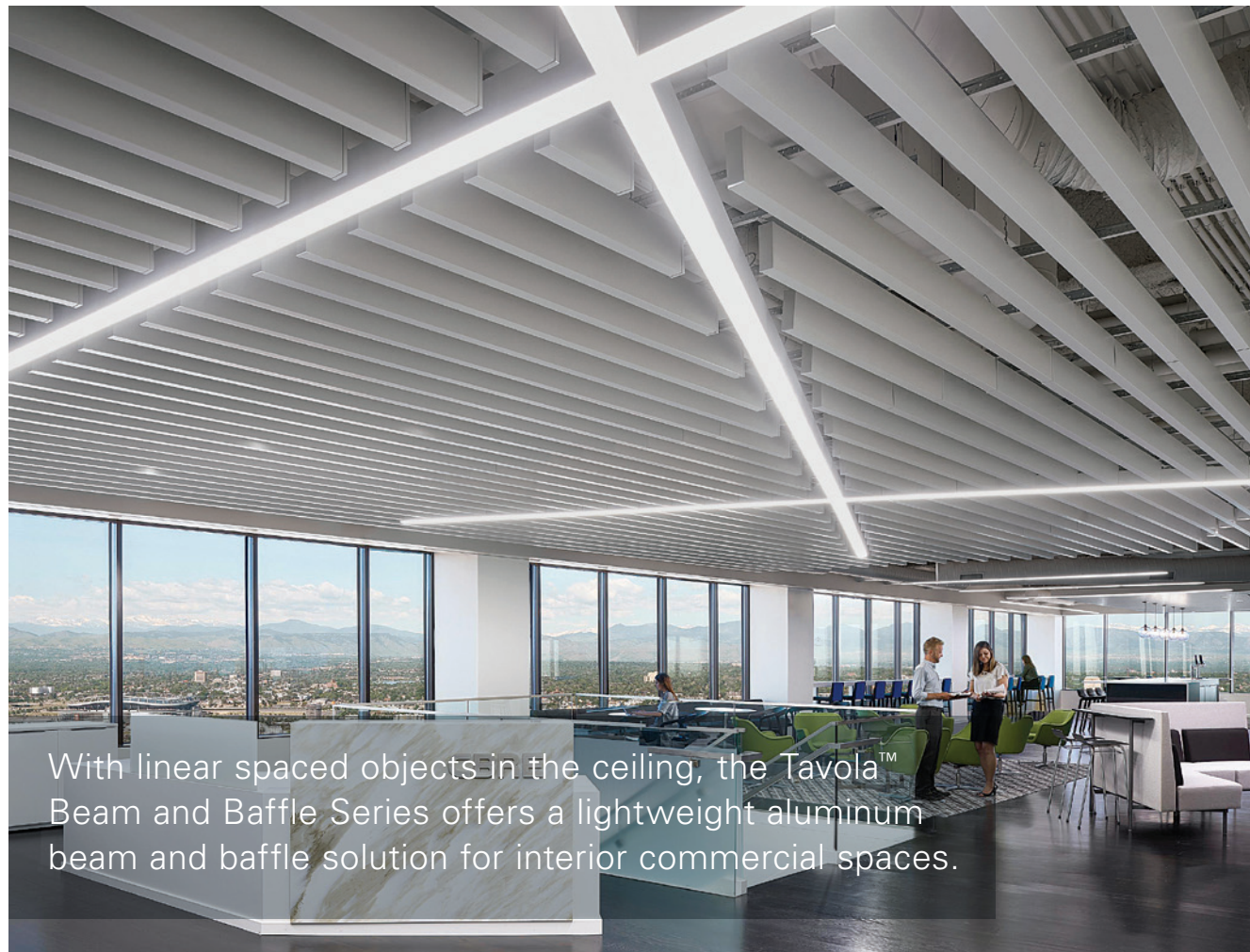


METAL
CEILINGSBEAMS & BAFFLES
TAVOLA™ BEAM & BAFFLE SERIES

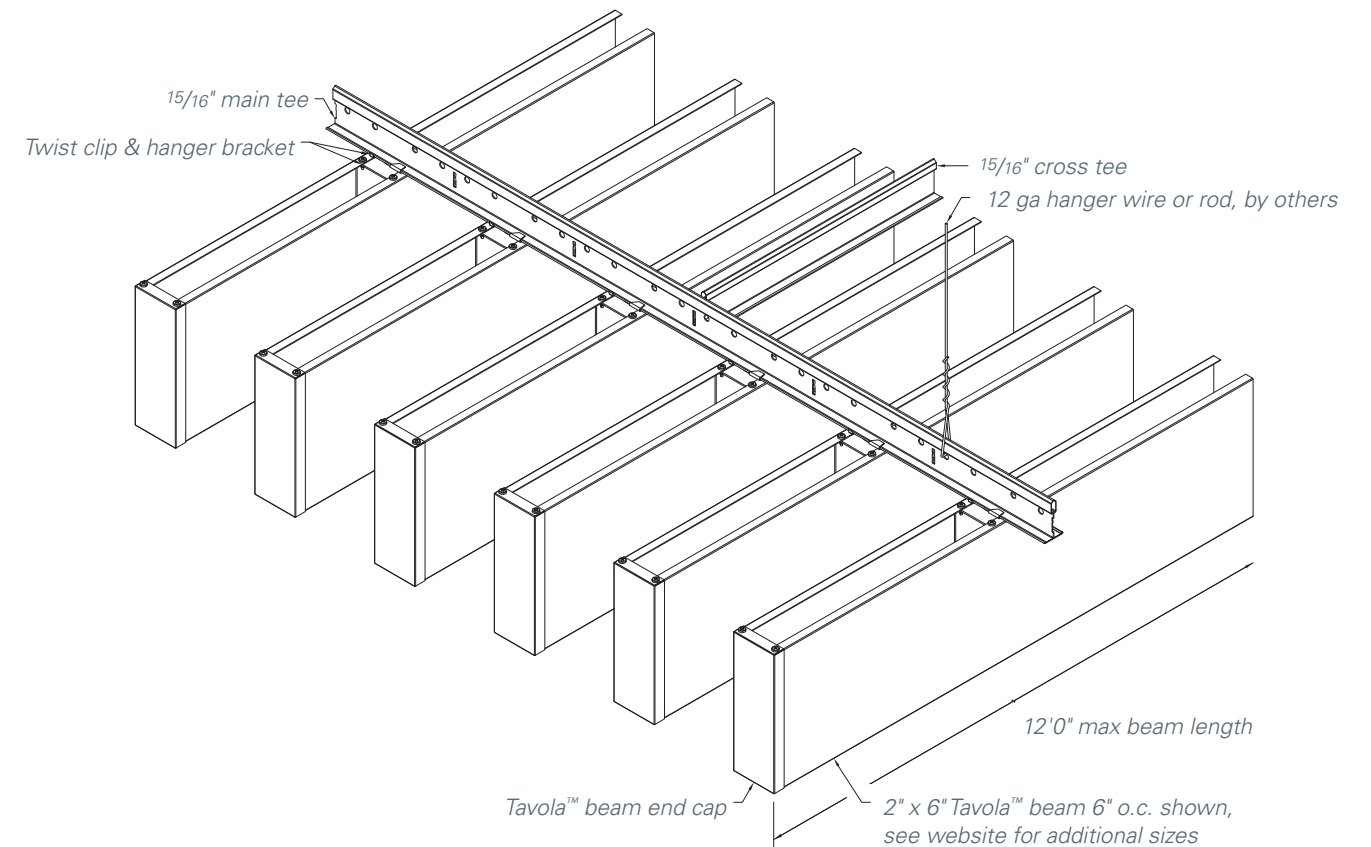
With linear spaced objects in the ceiling, the Tavola™ Beam and Baffle Series offers a lightweight aluminum beam and baffle solution for interior commercial spaces.

Project: CBRE, Denver, CO; Tavola™ Beam & Baffle Series Photo credit: Gensler/Ryan Gobuty

KEY FEATURES

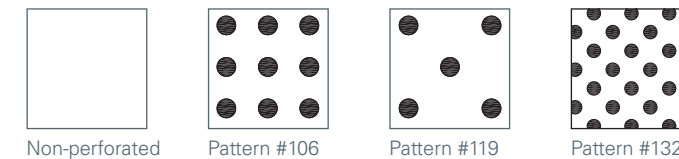
- Multitude of profile dimensions up to 12' long
- Three perforation patterns for elevated acoustics
- Standard heavy-duty 15/16" T-grid suspension
- Waste reduction with factory fabricated dimensional material
- Downweight: reduce dead load with lightweight aluminum
- Easy plenum access
- Compatible with industry standard lighting, HVAC, speaker, fire safety, and security services

TYPICAL ISOMETRICS



PERFORATION PATTERNS

Standard patterns shown. Perforations not available on real wood veneer. Scale shown: 1:1, unless otherwise noted.



PHYSICAL DATA

Substrate: Aluminum
Warranty: 1 year
Seismic rating: Zones A,B,C,D,E,F
Fire rating: Class A Fire Rated per ASTM E84
 – Painted or anodized metal: Flame spread: ≤ 25, Smoke ≤ 50
 – Wood veneer on metal: Flame spread: ≤ 25, Smoke ≤ 55 (for interior applications)
Weight: Varies 0.5 – 2.1 lbs./sq.ft.
Wind load: N/A
Recycled content: Up to 85%
Light reflectance (LR) Coefficient per ASTM E1264 & ASTM E1477:
 – Varies with finish
 – Cotton White: LR = 0.81
Acoustical ratings – NRC: See page 241

BIM

REVIT files available for BIM contributions, see website for details.

LEED V4 CREDITS

MR: Building Product Disclosure
EQ: Low-Emitting Materials
EQ: Indoor Air Quality Assessment
EQ: Acoustic Performance

CERTIFICATIONS

GREENGUARD Gold Certified
 FSC chain of custody veneers available
 HPDs & EPDs – available upon request

METAL CEILINGS

BEAMS & BAFFLES
TAVOLA™ BEAM & BAFFLE SERIES

COLORS & FINISHES

Hunter Douglas offers a wide choice of colors and finishes. Some colors and finishes carry a premium price over manufacturer's standard colors. Custom color matching is available upon request. Please contact Hunter Douglas at 800-366-4327 for minimum quantities and lead times. To request samples, contact us at ceiling.samples@hunterdouglas.com. See website for the most up to date information. Colors are for illustration purposes only.

STANDARD PAINT COLORS



CUSTOM COLORS

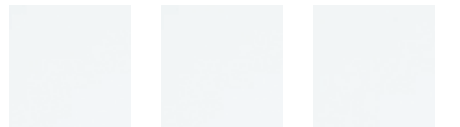
Premium custom colors.



Custom

WHITE FINISH OPTIONS

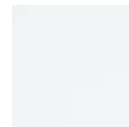
Powder-coat paint finish for Arctic White #1015P (Gloss 10-20); Crystalline White #1050P (Gloss 45-55); Supernova White #1085P (Gloss 80-90)



Arctic White 1015P Crystalline White 1050P Supernova White 1085P

PERFORMANCE WHITE PAINT FINISH

Powder-coat paint finish offering LRV 96; non-glare, 3% low gloss finish. Certified by: Applied Technical Services, Inc. Test Report No. D233185. Test reports available by request.



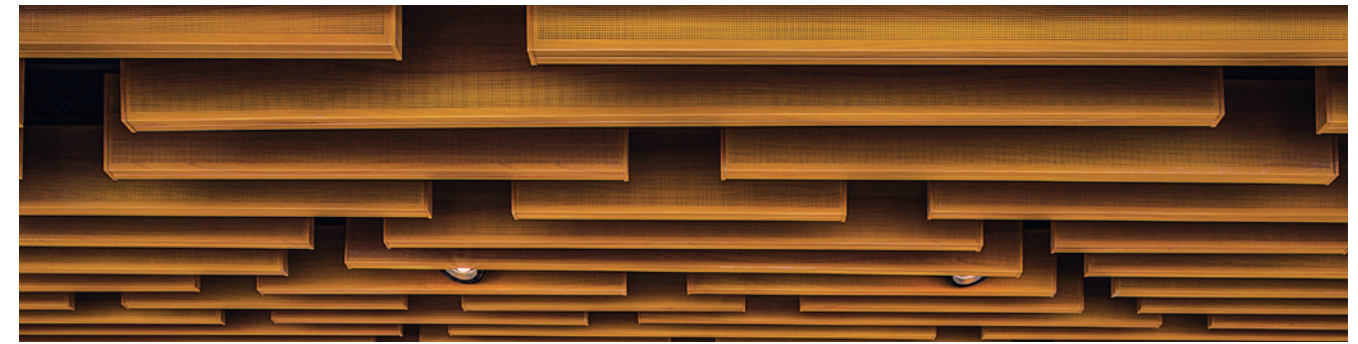
Performance White 9603P

BLACK FINISH OPTIONS

Powder-coat paint finish for Starless Black #5000P (Matte); Raven Black #5030P (Gloss 25-35); Sable Black #5060P (Gloss 65-75); Wet Glass Black #5095P (Gloss 90-95)



Starless Black 5000P Raven Black 5030P Sable Black 5060P Wet Glass Black 5095P



STANDARD WOOD VENEER OPTIONS

Real wood veneer (interior only). Formaldehyde-free, Class A composite panel. Non-perforated only. Note: This is a small subset of veneers available. Please contact Hunter Douglas for client-specific species and stains.



White Oak (Rift) 9003 Douglas Fir (VG) 9005 Cherry (Flat) 9013 Walnut (Flat) 9114 Anigre (Qtr) 9122 Maple (Flat) 9427

DECORATED WOOD-LOOK OPTIONS

Powder-coat paint finish (interior and exterior). Formaldehyde-free, Class A composite panel. This finish is recommended for exterior conditions.



LAMINATED (FILM) WOOD FINISHES

Film (interior only). Formaldehyde-free, Class A composite panel. Minimums apply.



American Natural 8000 Russian Maple 8003 Hayward Cherry 8005 Caramel Bamboo 8030 Straight Larch 8104 Northern Walnut 8105 Eastern Black Walnut 8106 Chatham Oak 8107