

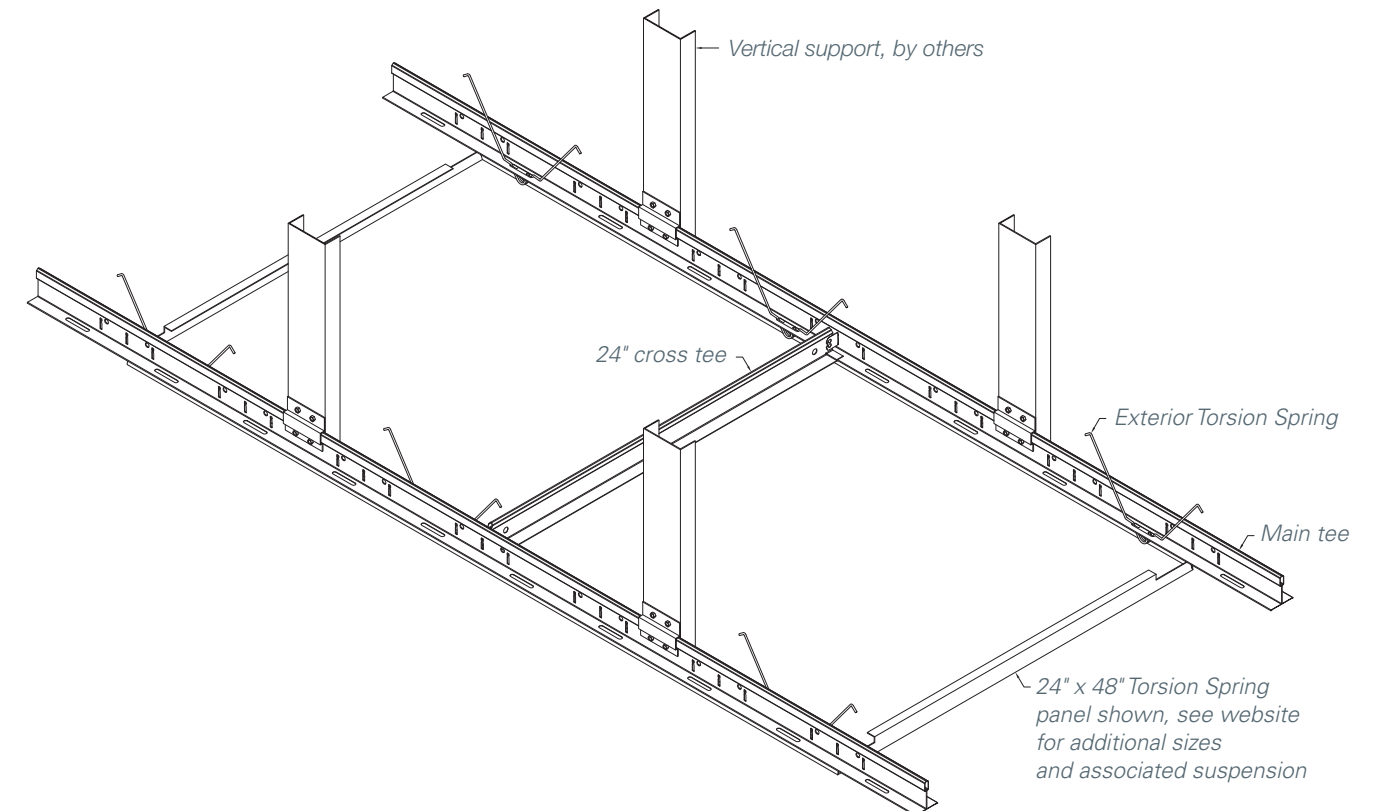
Our Hunter Douglas Exterior Torsion Spring ceiling system provides a solution for exterior applications in soffits, vestibules, stadium concourses or public transportation facilities.

Project: State Farm, Richardson, TX; Torsion Spring – Exterior Photo credit: Bob Perzel

### KEY FEATURES

- Panel configurations: 24" x 24", 24" x 48", 30" x 30", 30" x 60" (other sizes available, consult Hunter Douglas)
- Wind load tested
- Access panel feature allows random access/point accessibility to plenum
- Waste reduction with factory fabricated dimensional material
- Downweight: reduce dead load with lightweight aluminum
- Interior and exterior applications
- Compatible with industry standard lighting, HVAC, speaker, fire safety, and security services

### TYPICAL ISOMETRICS



### PHYSICAL DATA

**Substrate:** Aluminum  
**Warranty:** 1 year  
**Seismic rating:** Zones A,B,C,D,E,F  
**Fire rating:** Class A Fire Rated per ASTM E84  
 – Painted or anodized metal: Flame spread: ≤ 25, Smoke ≤ 50  
**Weight:** Varies 1.0 – 2.0 lbs./sq.ft.  
**Wind load:** Per code  
**Recycled content:** Up to 85%

### BIM

REVIT files available for BIM contributions, see website for details.

### LEED V4 CREDITS

EA: Optimize Energy Performance  
 MR: Building Product Disclosure  
 EQ: Low-Emitting Materials  
 EQ: Indoor Air Quality Assessment  
 EQ: Daylight

### CERTIFICATIONS

GREENGUARD Gold Certified  
 HPDs & EPDs – available upon request



EXTERIOR SOFFITS

EXTERIOR – PLANK & TILE  
TORSION SPRING – EXTERIOR

COLORS & FINISHES

Hunter Douglas offers a wide choice of colors and finishes. Some colors and finishes carry a premium price over manufacturer’s standard colors. Custom color matching is available upon request. Please contact Hunter Douglas at 800-366-4327 for minimum quantities and lead times. To request samples, contact us at ceiling.samples@hunterdouglas.com. See website for the most up to date information. Colors are for illustration purposes only.

STANDARD PAINT COLORS



Natural  
7163



Cotton White  
0280

CUSTOM COLORS

Premium custom colors.



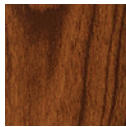
Custom

DECORATED WOOD-LOOK OPTIONS

Powder-coat paint finish (interior and exterior). Formaldehyde-free, Class A composite panel. This finish is recommended for exterior conditions.



Fonthill Cherry  
8422



Walnut  
8424



Amber Bamboo  
8432



Fine Wenge  
8433



Grey Barnwood  
Cedar 8434



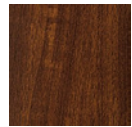
Golden Douglas  
Fir 8436



American Oak  
8439



Cajun Cypress  
8442



Swamp  
Cypress 8444



Clipper Teak  
8446



Windjammer  
Teak 8449



Douglas Fir  
8452



Anigre  
8453



Farm Maple  
8458



Caravel Teak  
8460



Regatta Teak  
8461



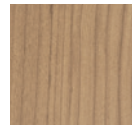
Summer  
Maple 8465



Terrace Maple  
8466



Red River  
Pecan 8467



Bayou Pecan  
8468



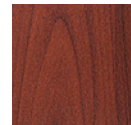
Northwest  
Mountain  
Hemlock 8486



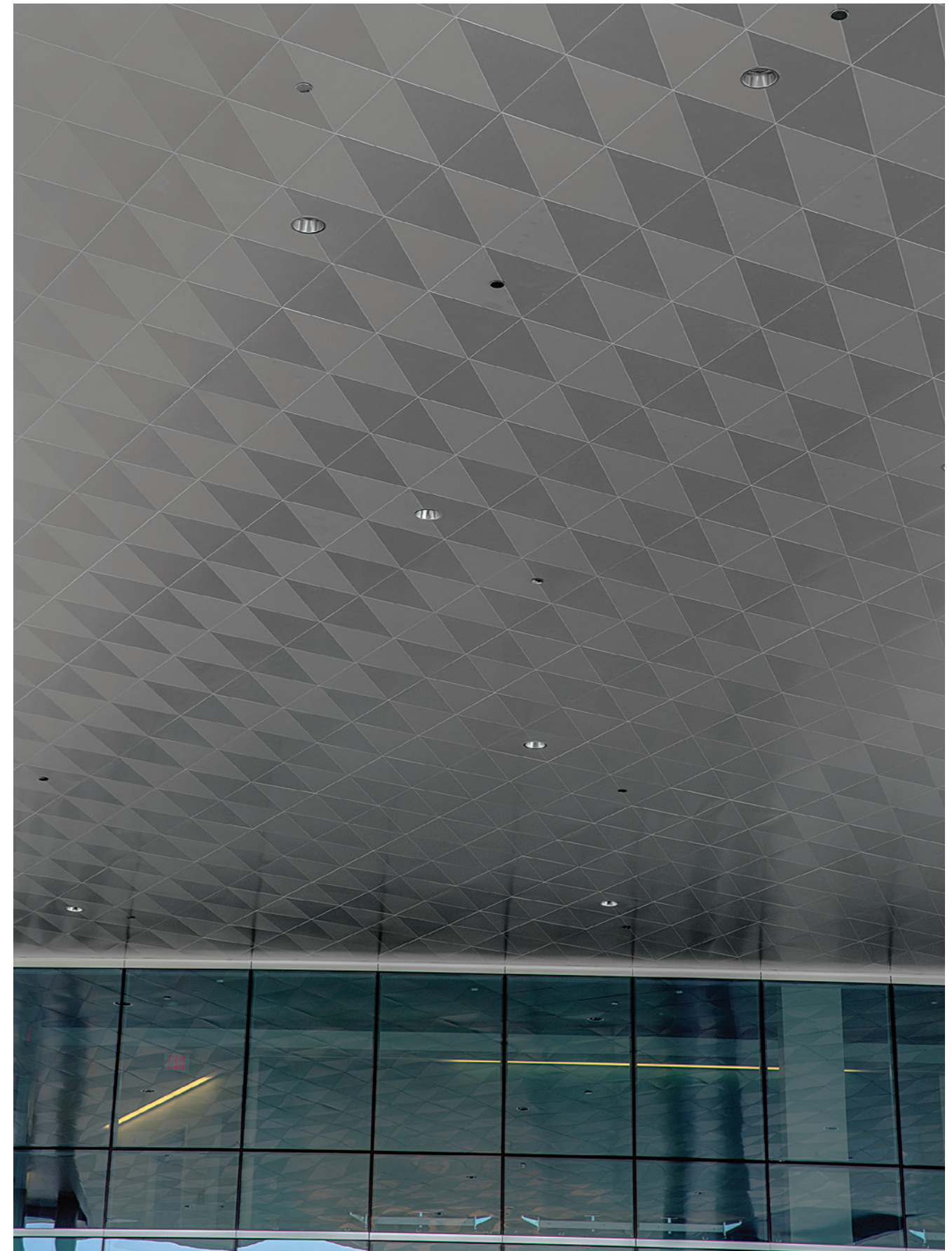
Whitewash  
8487



Rustic Cherry  
8739



Cherry  
8742



Project: Southwest General Hospital, Cleveland, OH; Torsion Spring – Exterior Photo credit: Bob Perzel