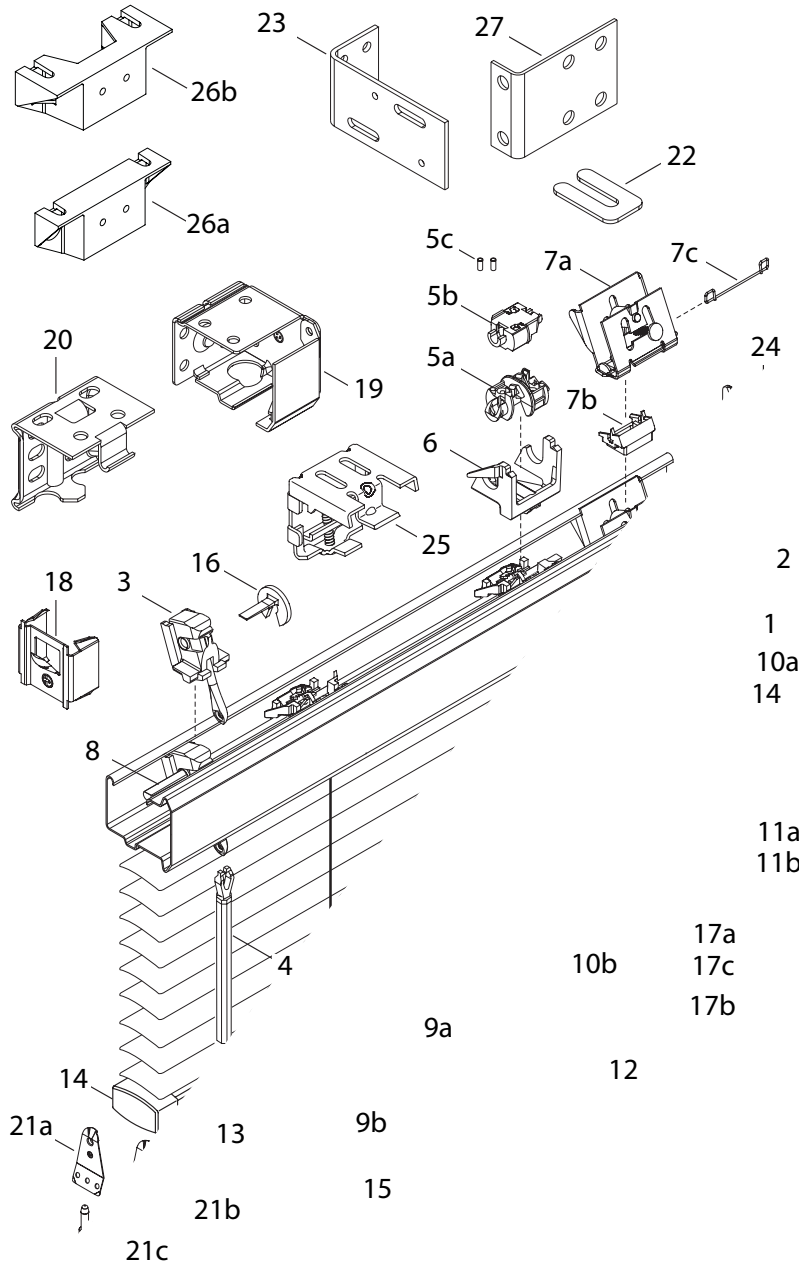


CD Series 1" Aluminum Horizontal Blinds

CD60 • CD62 • CD80 • CD82 • CD88



STANDARD COMPONENTS:

1. Slat
2. Headrail
3. Wand Tilter
4. Wand
- 5a. Tape Roll/Slot Type
- 5b. Tape Roll/Bead Type
- 5c. X-Tape Locator – Grommet
6. Tape Roll Support
- 7a. Cordlock
- 7b. Cordlock Adaptor
- 7c. Lift Cord Separator
8. Tiltrod
- 9a. Cable Tape Ladder
- 9b. Cable Tape Grommet
- 10a. Lift Cord
- 10b. Lift Cord Grommet
- 11a. Cord Stop
- 11b. Safety Tassel Grommet
12. Tape Spacer
13. Bottom Rail
14. Bottom Rail End Cap
15. Tape Button
16. Tilter Lock
- 17a. Lift Cord
- 17b. Conical Tassel Washer
- 17c. Tassel

Box Bracket Mounting:

18. Headrail End Lock
19. Box Installation Bracket
20. Intermediate Support Bracket

OPTIONAL COMPONENTS:

- 21a. Hold-Down Bracket (Jamb)
- 21b. Hold-Down Bracket (Sill)
- 21c. Hold-Down Pin
22. Bracket Shim

Box Bracket Mounting:

23. Extension Bracket

Gripper Bracket Mounting:

24. Headrail End Cap
25. Universal Gripper Bracket
- 26a. 1/2" Spacer (option)
- 26b. 7/8" Spacer (option)
27. End Mount Bracket (option)