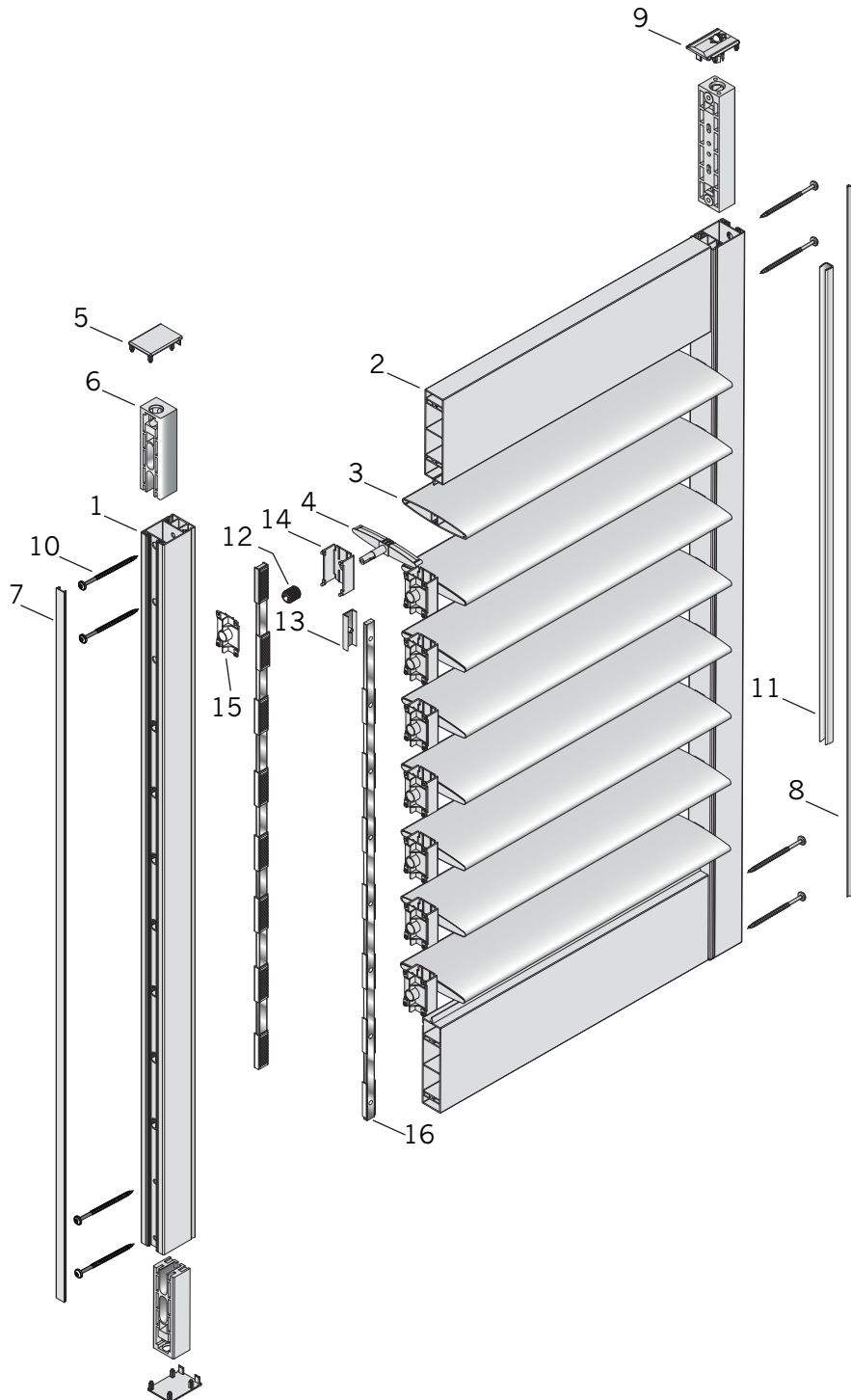


Shutter Panel - Lantana™



Standard Parts

- | | | |
|------------------------|-------------------------|------------------------|
| 1. Stile | 7. Light Block | 13. Gear Rack |
| 2. Rail | 8. Flex Light Block | 14. Gear Housing |
| 3. Louver | 9. Inverted Stile Cap | 15. Gear Housing Cover |
| 4. Louver End Cap Gear | 10. Panel Screw #8 X 3" | 16. Rear Tilt Bar |
| 5. Stile Cap | 11. Tension Rod | |
| 6. Stile Reinforcement | 12. Gear | |

Shutter Panel - Lantana™

No.	PCN	Description
1.	VS375-XXX	Stile
2.	Rail	
	VS490-XXXX	2"
	VS491-XXXX	4"
3.	Louver	
	VS797-XXX	2½"
	VS796-XXX	3½"
	VS468-XXX	4½"
4.	Louver End Cap Gear	
	M560-XXX	2½"
	M561-XXX	3½"
	M562-XXX	4½"
5.	M501-XXX	Stile Cap
6.	M6800	Stile Reinforcement
7.	B485-XXX	Light Block
8.	B485F-XXX	Flex Light Block
9.	Inverted Stile Cap	
	M590-XXX	No Frames
	M595-XXX	With Frames
	M501A-XXX	Adjustable
10.	R707	Panel Screw #8 X 3"
11.	D523	Tension Rod
12.	M563	Gear
13.	M564	Gear Rack
14.	M565	Gear Housing
15.	M566	Gear Housing Cover
16.	VS560-XXX	Rear Tilt Bar

Extruded Component Colors

5151	White Silk
5136	Bright White
5137	White
5138	Linen

Molded Component, Hinge and Hardware Colors

151	White Silk
136	Bright White
137	White
138	Linen

XXX or XXXX = Color Code