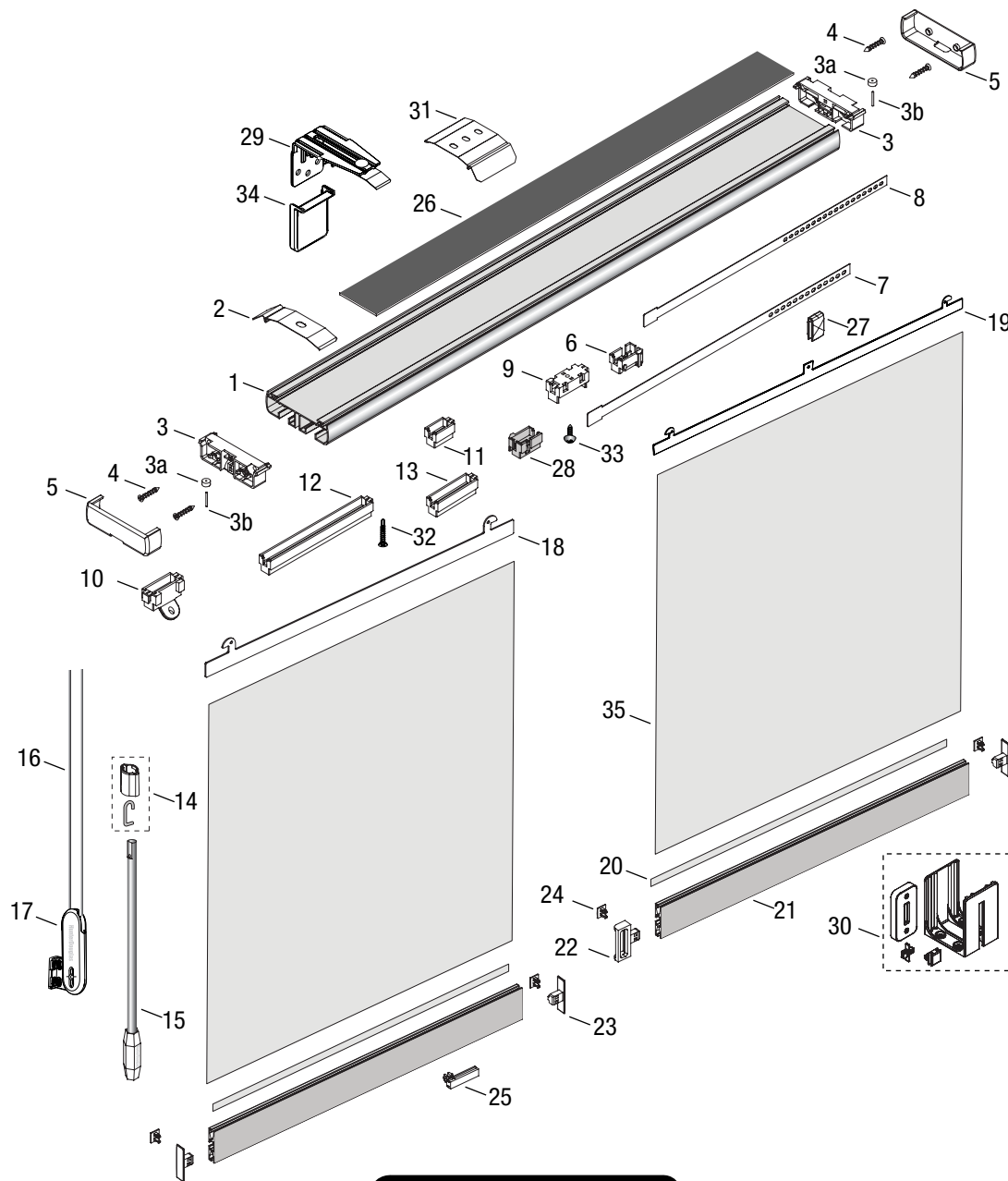


Wand and Cord



Standard Parts

- | | | |
|---------------------------------|----------------------------------|--|
| 1. Headrail (2½" X ¾") | 12. Big Spacer | 25. Snap Slide |
| 2. Mounting Clip | 13. Medium Spacer | 26. Sound Deadening Material |
| 3. End Cap | 14. Wand Sleeve | 27. 17" Fabric Hanger Center Support Cap |
| a. Cord Wheel | 15. Wand Assembly | 28. Left Facing Carrier (Grey) |
| b. Axle | 16. Traverse Cord | 29. 3½" L Bracket w/Clip |
| 4. End Cap Screw | 17. Universal Cord Tensioner | 30. Room Divider Kit |
| 5. Outside End Cap | 18. 11½" Fabric Hanger | 31. Headrail Splicer Clip |
| 6. Right Facing Carrier (white) | 19. 17" Fabric Hanger | 32. Carrier Locking Screw |
| 7. 17" Carrier Spacer Link | 20. Bottom Weight Mounting Strip | 33. Cord Lock Screw |
| 8. 11½" Carrier Spacer Link | 21. Bottom Weight | 34. Bracket Cover |
| 9. Cord Driver | 22. Snap Slide End Cap | 35. Panel Fabric |
| 10. Wand Driver | 23. Bottom Weight End Cap | |
| 11. Small Spacer | 24. End Cap Pin | |