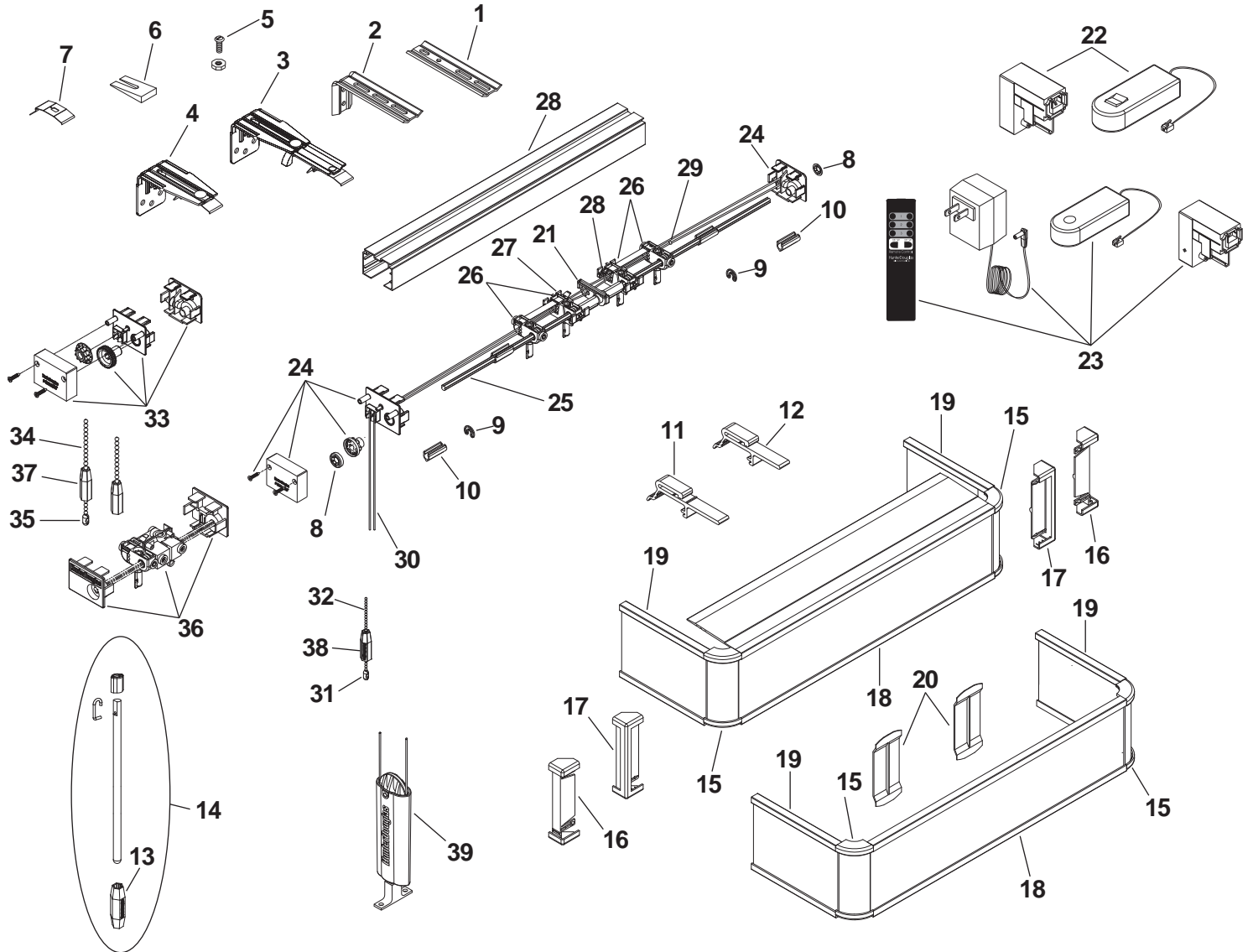


# PermAlign® Center Draw Assembly



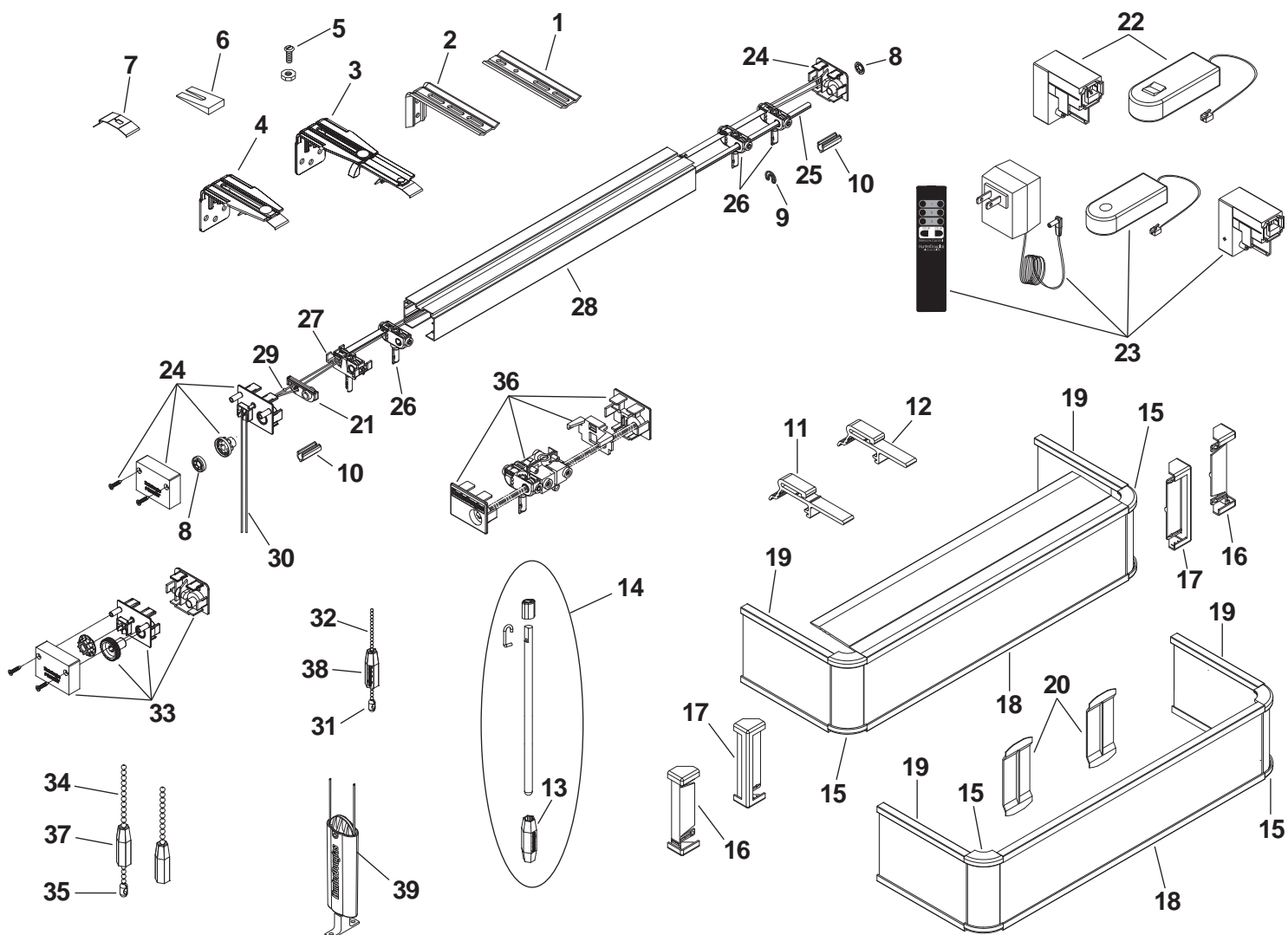
## Standard Parts

- |                                       |  |  |
|---------------------------------------|--|--|
| 1. 4 1/2" Slider Extension Plate      | 15. Universal Ivory Round Corner w/Clear Cap | 29. Rod Support Bead                                 |
| 2. 4" Heavy-Duty Wall Bracket         | 16. Clear Open Valance Corner                | 30. Traverse Cord                                    |
| 3. Adjustable Bracket Assembly w/Clip | 17. Clear Closed Valance Corner              | 31. #6 Tilt Chain Connector                          |
| 4. 3 1/2" L-Bracket w/Clip            | 18. Mixed Universal Valance                  | 32. #6 Tilt Chain                                    |
| 5. 8-32 x 3/8" Pan Head Bolt & Nut    | 19. Shadow/Valance Return                    | 33. #10 Gear-Reduced End Control Assembly            |
| 6. Mounting Shim                      | 20. Stacked Valance Clip                     | 34. #10 Tilt Chain                                   |
| 7. Mounting Clip                      | 21. Rod Support Carriers                     | 35. #10 Tilt Chain Connector                         |
| 8. Star Fastener                      | 22. Motorized Tilt Switch Unit               | 36. PermAssure Wand Control Endcap Set - Center Draw |
| 9. Stop C-Clip                        | 23. Motorized Tilt Remote Control Unit       | 37. Chain Tassel w/o Logo                            |
| 10. 1" Omega Spacer                   | 24. #6 Direct Drive End Control Set w/Cover  | 38. Chain Tassel w/Logo                              |
| 11. Long Valance Hanger               | 25. Tilt Rod                                 | 39. Locking Cord Tensioner                           |
| 12. Short Valance Hanger              | 26. Center Draw Carriers                     |  |
| 13. Wand Hex Handle                   | 27. Lead Carrier Guide Assembly              |  |
| 14. Wand Assembly                     | 28. Channel                                  |  |

# PermAlign® Center Draw Assembly

<b>No.</b>	<b>PCN</b>	<b>Description</b>
1.	7704851	4 ½" Slider Extension Plate
2.	7704850	4" Heavy-Duty Wall Bracket
3.		Adjustable Bracket Assembly w/Clip
	7702853	Plated
	7702855	Ivory
4.		3 ½" L-Bracket w/Clip
	7702857	Plated
	7702859	Ivory
5.	7704840	8-32 x ¾" Pan Head Bolt & Nut
6.	96801	Mounting Shim
7.	97855	Mounting Clip
8.	7704842	Star Fastener
9.	7704841	Stop C-Clip
10.	PC0453	1" Omega Spacer
11.	98856	Long Valance Hanger
12.	98855	Short Valance Hanger
13.	IHDL0500	Wand Hex Handle – Ivory
14.		Wand Assembly
	7704800	38" Ivory
	7704801	48" Ivory
	IWND0501	60" Ivory
15.	URC0000040	Universal Ivory Round Corner w/Clear Cap
16.	VAC00000002	Clear Open Valance Corner
17.	VACC0000002	Clear Closed Valance Corner
18.		Universal Valance
	MUV0193000	Mixed
	CUV0193040	Clear
19.	SMV0193000	Shadow Valance/Return (16')
20.	HD0954	Stacked Valance Clip
21.	96811	Rod Support Carriers – White
22.	MHD1000000	Motorized Tilt Switch Unit
23.	MHD2000000	Motorized Tilt Remote Control Unit
24.	96816	#6 Direct Drive End Control Set w/Cover – Ivory
25.		Tilt Rod
	PC0456	(50 PCS.)
	98860	(96 PCS.)
26.		Center Draw Carriers
	HS0507	1.75"
	HS0508	2"
	HS0516A	3.25"
	HS0509A	3.5"
27.	7702801	Lead Carrier Guide – White
28.		Channel
	97869	Ivory Painted
	PC0440	Anodized w/Rod
29.	PC0458	Rod Support Bead
30.	PS0563B	Traverse Cord – Natural
31.	7704830	#6 Tilt Chain Connector (NPB)
32.	PS0504	#6 Tilt Chain (NPB)
33.		#10 Gear-Reduced End Control Assembly
	PD0684	Grey
	IPD0684	Ivory
34.	PS0574	#10 Tilt Chain (NPB)
35.	7704831	#10 Tilt Chain Connector (NPB)
36.	IWCU0502	Wand Control Endcap Set – Center Draw – Ivory
37.	97893	Chain Tassel w/o Logo – Ivory
38.		Chain Tassel w/Logo
	97836	Ivory
	97889	White
39.		Locking Cord Tensioner
	7703830	Ivory
	7703831	White

# PermAlign® Side Draw Assembly



## Standard Parts

- |                                       |  |   |
|---------------------------------------|--|---|
| 1. 4 ½" Slider Extension Plate        | 15. Universal Ivory Round Corner w/Clear Cap | 28. Channel   |
| 2. 4" Heavy-Duty Wall Bracket         | 16. Clear Open Valance Corner                | 29. Rod Support Bead  |
| 3. Adjustable Bracket Assembly w/Clip | 17. Clear Closed Valance Corner              | 30. Traverse Cord   |
| 4. 3 ½" L-Bracket w/Clip              | 18. Mixed Universal Valance                  | 31. #6 Tilt Chain Connector                                 |
| 5. 8-32 x ¾" Pan Head Bolt & Nut      | 18. Clear Universal Valance                  | 32. #6 Tilt Chain   |
| 6. Mounting Shim                      | 19. Shadow/Valance Return                    | 33. #10 Gear-Reduced End Control Assembly                   |
| 7. Mounting Clip                      | 20. Stacked Valance Clip                     | 34. #10 Tilt Chain  |
| 8. Star Fastener                      | 21. Rod Support Carriers                     | 35. #10 Tilt Chain Connector                                |
| 9. Stop C-Clip                        | 22. Motorized Tilt Switch Unit               | 36. PermAssure Wand Control Endcap Assembly - w/Rod Support |
| 10. 1" Omega Spacer                   | 23. Motorized Tilt Remote Control Unit       | 37. Chain Tassel w/o Logo                                   |
| 11. Long Valance Hanger               | 24. #6 Direct Drive End Control Set w/Cover  | 38. Chain Tassel w/Logo                                     |
| 12. Short Valance Hanger              | 25. Tilt Rod                                 | 39. Locking Cord Tensioner                                  |
| 13. Wand Hex Handle                   | 26. Regular Draw Carriers                    |   |
| 14. Wand Assembly                     | 27. Lead Carrier Guide Assembly              |   |

# PermAlign® Side Draw Assembly

<b>No.</b>	<b>PCN</b>	<b>Description</b>
1.	7704851	4 ½" Slider Extension Plate
2.	7704850	4" Heavy-Duty Wall Bracket
3.		Adjustable Bracket Assembly w/Clip
	7702853	Plated
	7702855	Ivory
4.		3 ½" L-Bracket w/Clip
	7702857	Plated
	7702859	Ivory
5.	7704840	8-32 x ¾" Pan Head Bolt & Nut
6.	96801	Mounting Shim
7.	97855	Mounting Clip
8.	7704842	Star Fastener
9.	7704841	Stop C-Clip
10.	PC0453	1" Omega Spacer
11.	98856	Long Valance Hanger
12.	98855	Short Valance Hanger
13.	IHDL0500	Wand Hex Handle – Ivory
14.		Wand Assembly
	7704800	38" Ivory
	7704801	48" Ivory
	IWND0501	60" Ivory
15.	URC0000040	Universal Ivory Round Corner w/Clear Cap
16.	VAC00000002	Clear Open Valance Corner
17.	VACC0000002	Clear Closed Valance Corner
18.		Universal Valance
	MUV0193000	Mixed
	CUV0193040	Clear
19.	SMV0193000	Shadow Valance/Return (16')
20.	HD0954	Stacked Valance Clip
21.	96811	Rod Support Carriers – White
22.	MHD1000000	Motorized Tilt Switch Unit
23.	MHD2000000	Motorized Tilt Remote Control Unit
24.	96816	#6 Direct Drive End Control Set w/Cover – Ivory
25.		Tilt Rod
	PC0456	(50 PCS.)
	98860	(96 PCS.)
26.		Regular Draw Carriers
	HS0501	1 ¾"
	HS0502	2"
	HS0522A	3 ¼"
	HS0503A	3 ½"
27.	7702801	Lead Carrier Guide – White
28.		Channel
	97869	Ivory Painted
	PC0440	Anodized w/Rod
29.	PC0458	Rod Support Bead
30.	PS0563B	Traverse Cord – Natural
31.	7704830	#6 Tilt Chain Connector (NPB)
32.	PS0504	#6 Tilt Chain (NPB)
33.		#10 Gear-Reduced End Control Assembly
	PD0684	Grey
	IPD0684	Ivory
34.	PS0574	#10 Tilt Chain (NPB)
35.	7704831	#10 Tilt Chain Connector (NPB)
36.	IWCU0501	PermAssure Wand Control Endcap Assembly – w/Rod Support
37.	97893	Chain Tassel w/o Logo – Ivory
38.		Chain Tassel w/Logo
	97836	Ivory
	97889	White
39.		Locking Cord Tensioner
	7703830	Ivory
	7703831	White